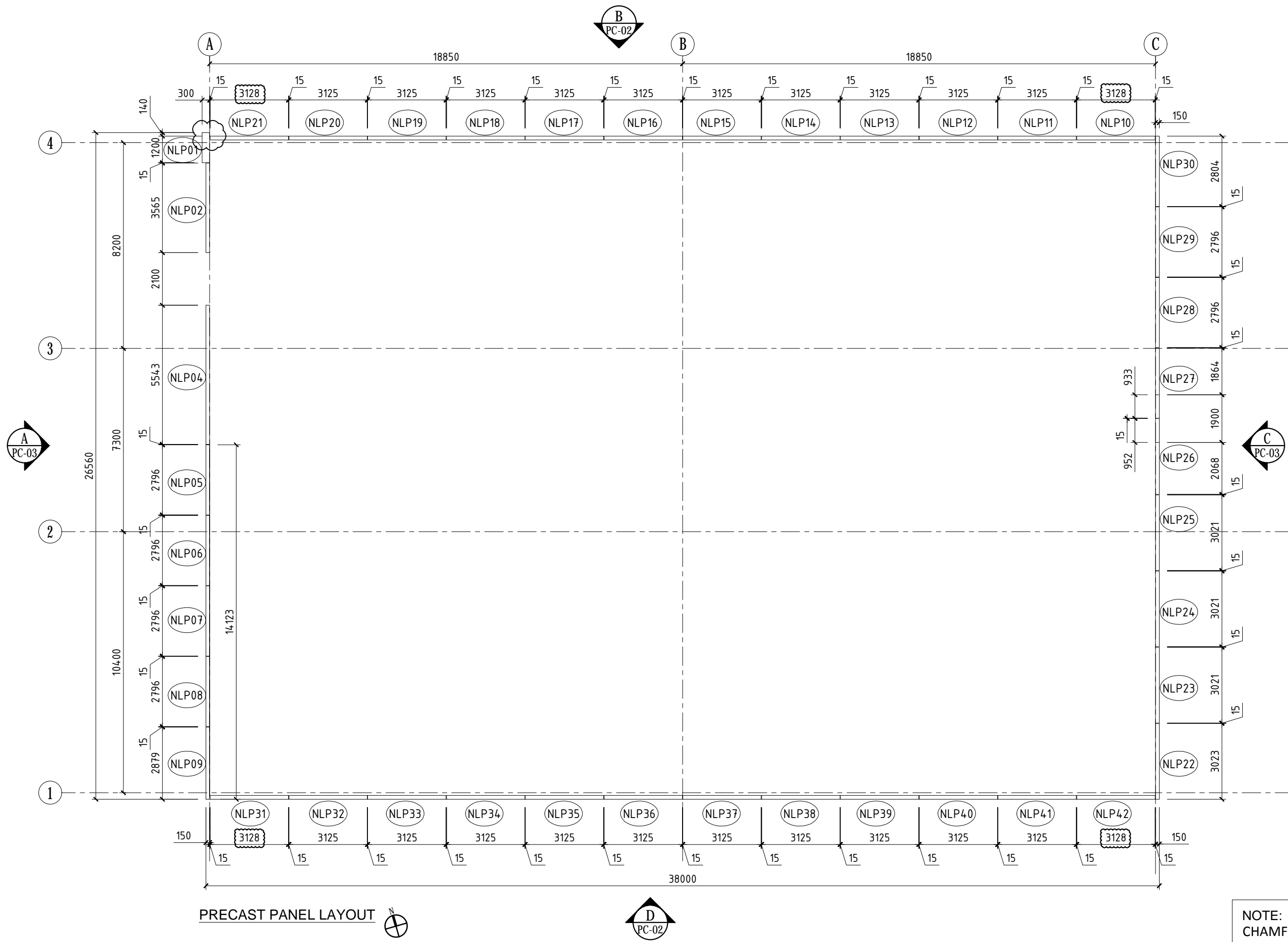


# **PRECAST PANEL LAYOUT & ELEVATION**

**NOEL LEEMING**



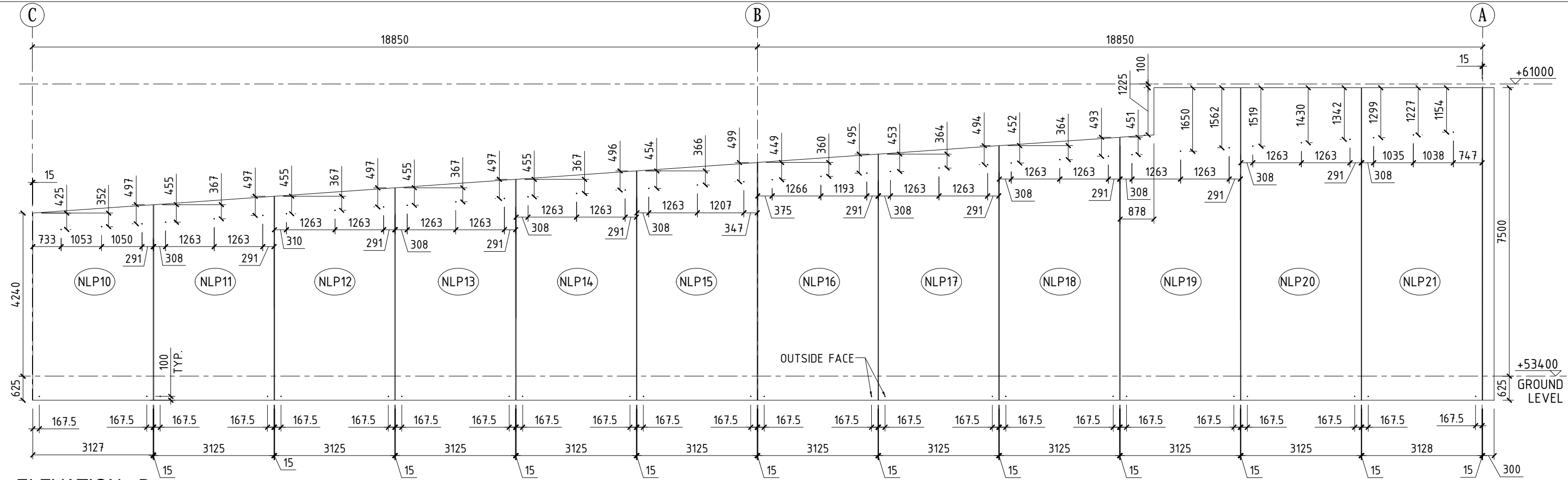
PRECAST PANEL LAYOUT 

NOTE:  
CHAMFER ALL EDGES 15MM.

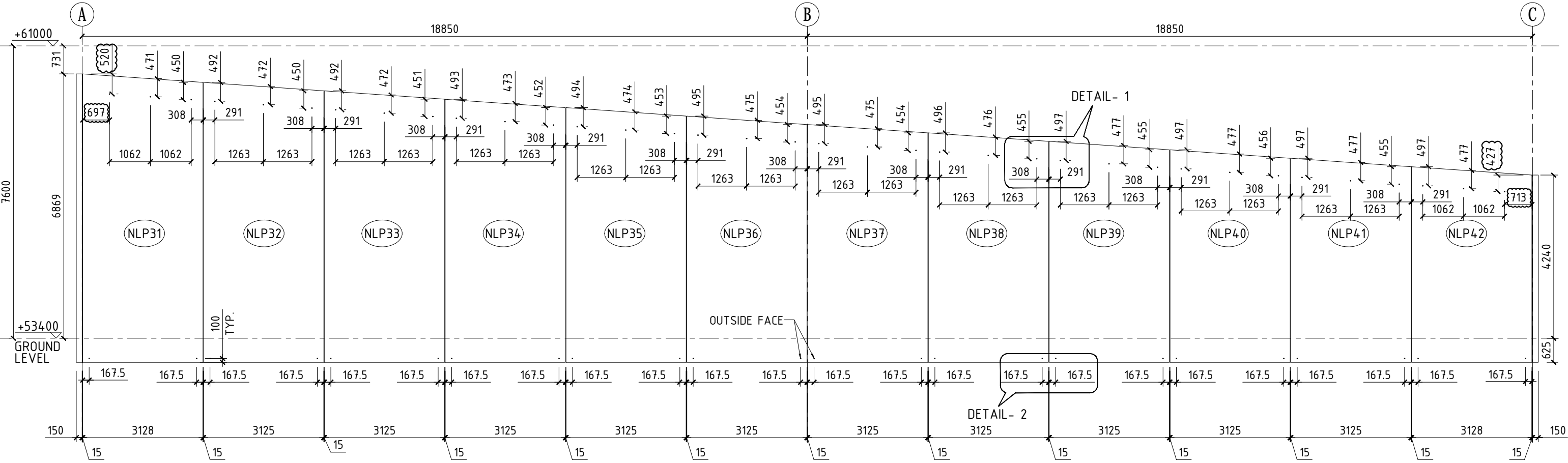
NOTE:  
1) CONTRACTOR TO VERIFY ALL DIMENSIONS  
2) APPROVER TO VERIFY ALL CLOUDED ITEMS  
3) FOR APPROVAL NOT FOR FABRICATION

REV	NAME	DATE	DESCRIPTION
A	HP	17.05.2017	FOR APPROVAL
B	HP	18.05.2017	PANEL NUMBERING MODIFIED
C	HP	20.05.2017	PANEL LENGTH CHANGE
D	HP	25.05.2017	FOR PRODUCTION

Naylor Love Construction					
DRAWING TITLE:	PRECAST PANEL LAYOUT	ISSUE DATE:	17.05.2017	APPROVAL SENT:	
CONTRACT:	Noel Leeming	CHECKED DATE:	17.05.2017	APPROVAL DATE:	
DRAWN:	HP	CHECKED BY:	NJ	APPROVED BY:	
SCALE:	1:150	PROJECT No.	09797	DRAWING No.	PC-01
				REV.	D



**ELEVATION - B**



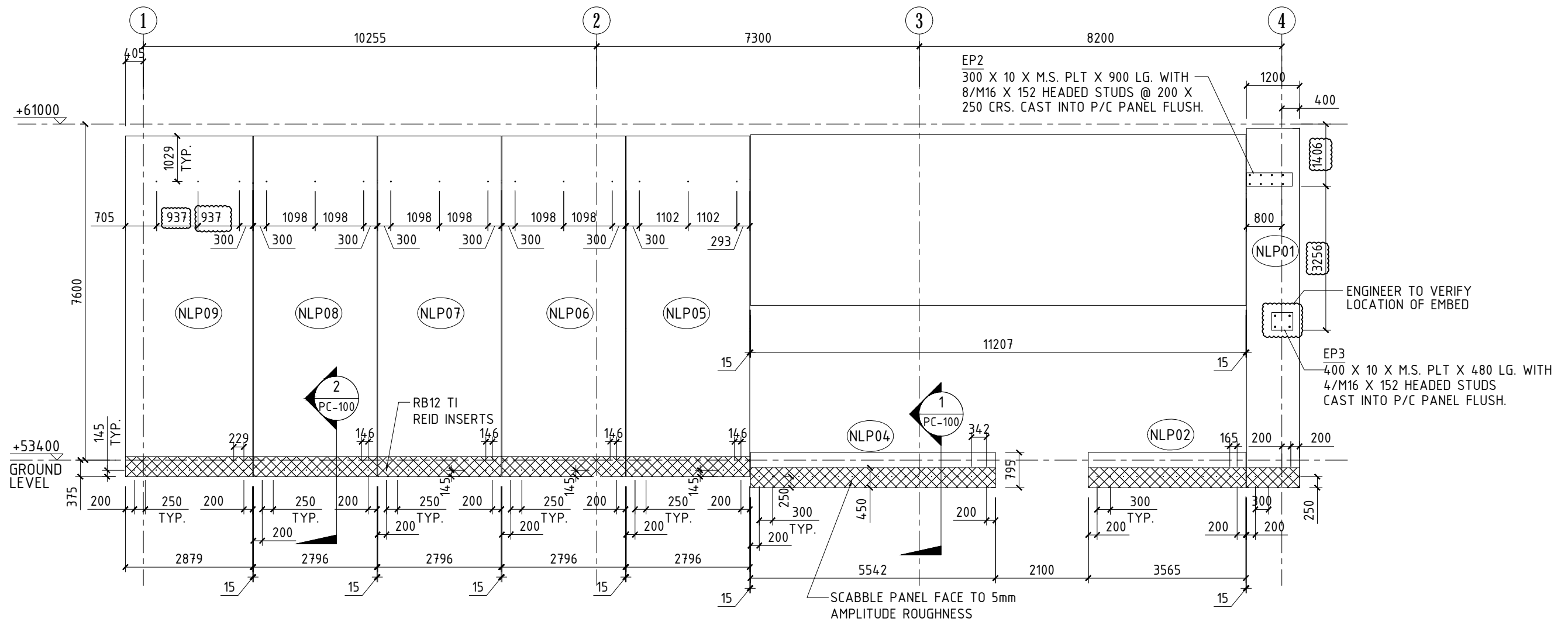
**ELEVATION - D**

**NOTE:**  
CHAMFER ALL EDGES 15MM.

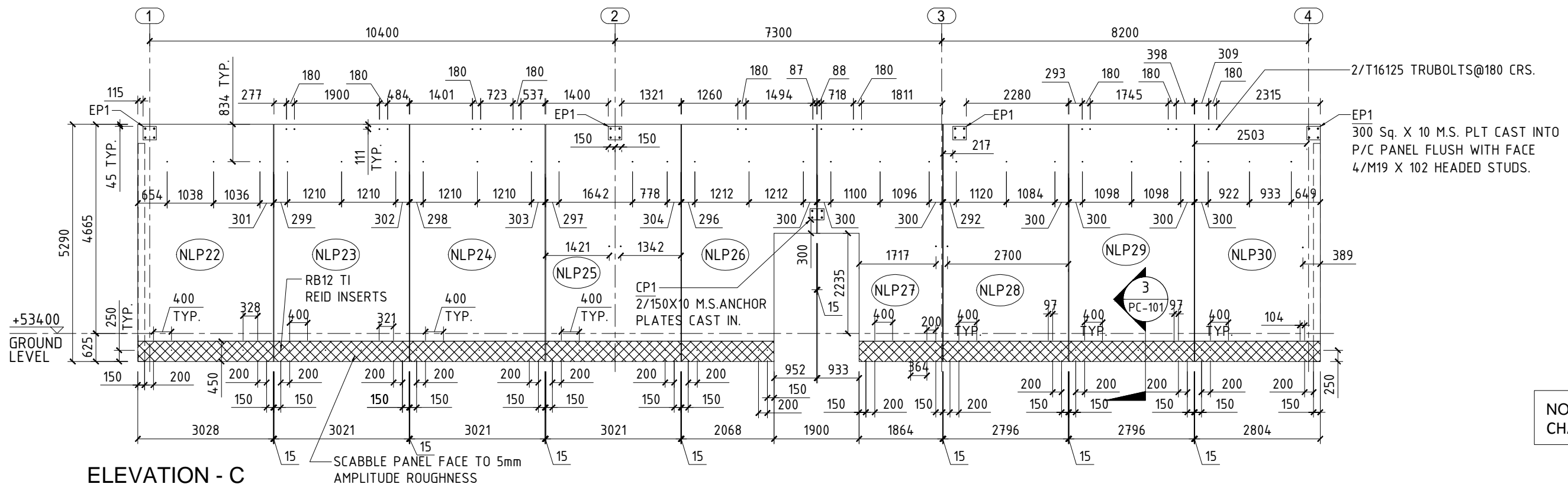
**NOTE:**  
1) CONTRACTOR TO VERIFY ALL DIMENSIONS  
2) APPROVER TO VERIFY ALL CLOUDED ITEMS  
3) FOR APPROVAL NOT FOR FABRICATION

REV	NAME	DATE	DESCRIPTION
A	HP	17.05.2017	FOR APPROVAL
B	HP	18.05.2017	PANEL NUMBERING MODIFIED, REID INSERT AND SCABBLE ADDED
C	HP	20.05.2017	REVISED AS PER COMMENTS
D	HP	29.05.2017	FOR PRODUCTION

Naylor Love Construction		
DRAWING TITLE: PRECAST PANEL ELEVATION B & D	ISSUE DATE: 17.05.2017	APPROVAL SENT:
CONTRACT: Noel Learning	CHECKED DATE: 18.05.2017	APPROVAL DATE:
DRAWN: HP	CHECKED BY: NJ	APPROVED BY:
SCALE: 1:100	PROJECT No. 09797	DRAWING No. PC-02
		REV. D



ELEVATION - A

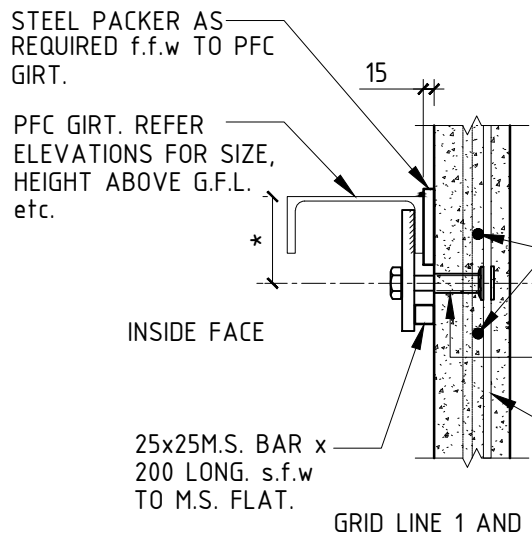


ELEVATION - C

NOTE:  
CHAMFER ALL EDGES 15MM.

NOTE:  
1) CONTRACTOR TO VERIFY ALL DIMENSIONS  
2) APPROVER TO VERIFY ALL CLOUDED ITEMS  
3) FOR APPROVAL NOT FOR FABRICATION

REV	NAME	DATE	DESCRIPTION	Naylor Love Construction					
A	HP	17.05.2017	FOR APPROVAL						
B	HP	18.05.2017	PANEL NUMBERING MODIFIED, REID INSERT AND SCABBLE ADDED						
C	HP	20.05.2017	REVISED AS PER COMMENTS						
D	HP	29.05.2017	FOR PRODUCTION						
				DRAWING TITLE:	PRECAS PANEL ELEVATION A & C	ISSUE DATE:	17.05.2017	APPROVAL SENT:	
				CONTRACT:	Noel Learning	CHECKED DATE:	18.05.2017	APPROVAL DATE:	
				DRAWN:	HP	CHECKED BY:	NJ	APPROVED BY:	
				SCALE:	1:100	PROJECT No.:	09797	DRAWING No.:	PC-03
									REV.:
									D

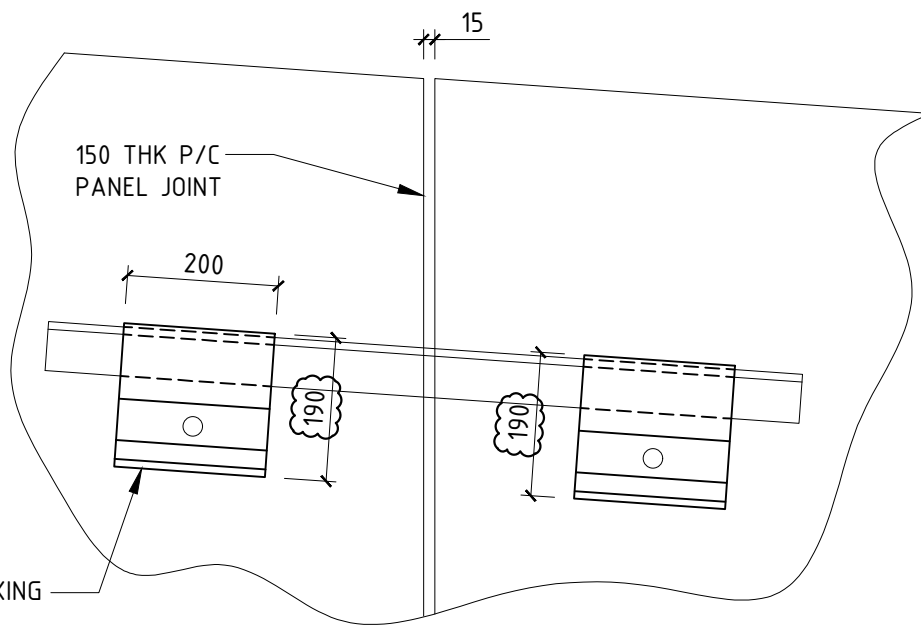


NOTE - USE M20 'RAMSET' INSERTS ON 140mm THICK PANELS OR LESS. (TYPE FE20070) M24 'RAMSET' INSERTS ON +140 THICK PANELS. (TYPE FE24115GH).

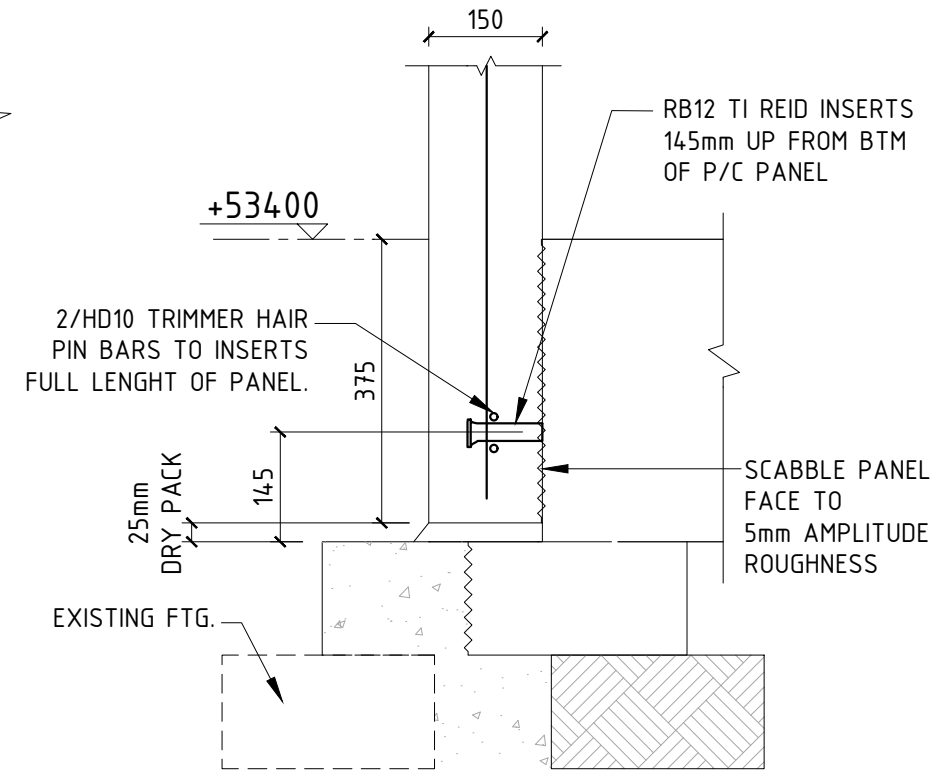
2 ADDITIONAL D16 BARS FULL WIDTH OF PANEL.  
 'RAMSET' INSERT. REFER NOTE ABOVE.  
 2/D12 DOWEL BARS 400 LONG WELDED TO 'RAMSET' OR 1/D12 DOWEL BAR 500 LONG PASS THROUGH HOLE.

25x25 M.S. BAR x 200 LONG, s.f.w TO M.S. FLAT.

GRID LINE 1 AND 4

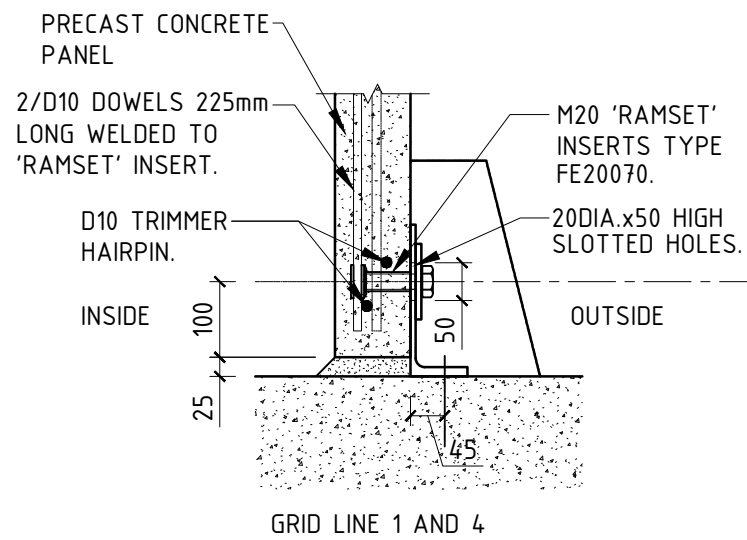


INSIDE FACE ON GRID LINE 1 AND 4

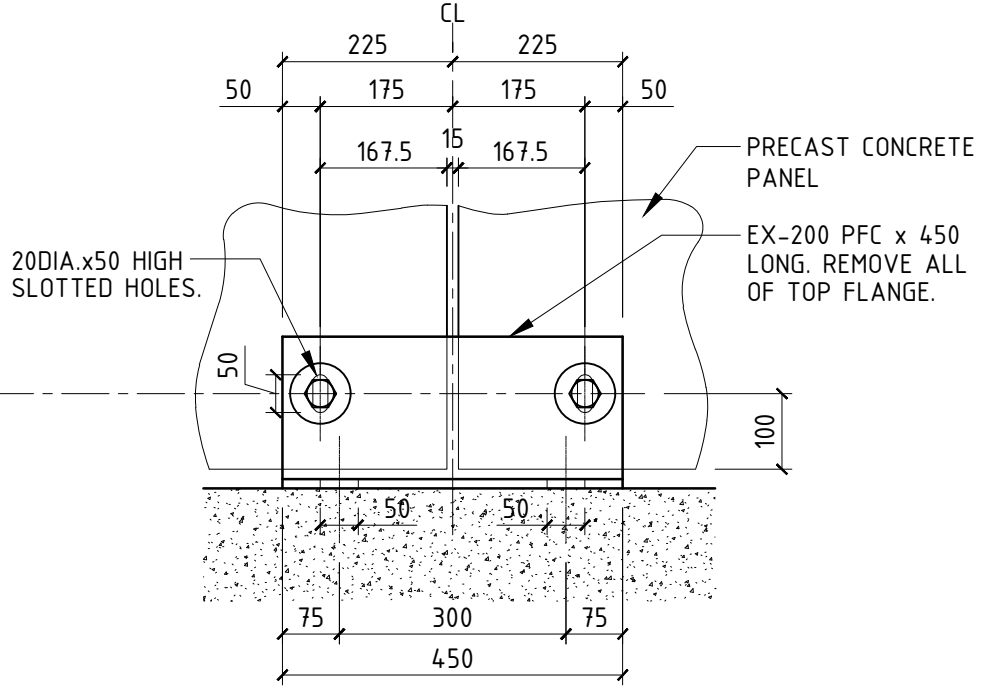


**SECTION 2-2 (GRID LINE A)**

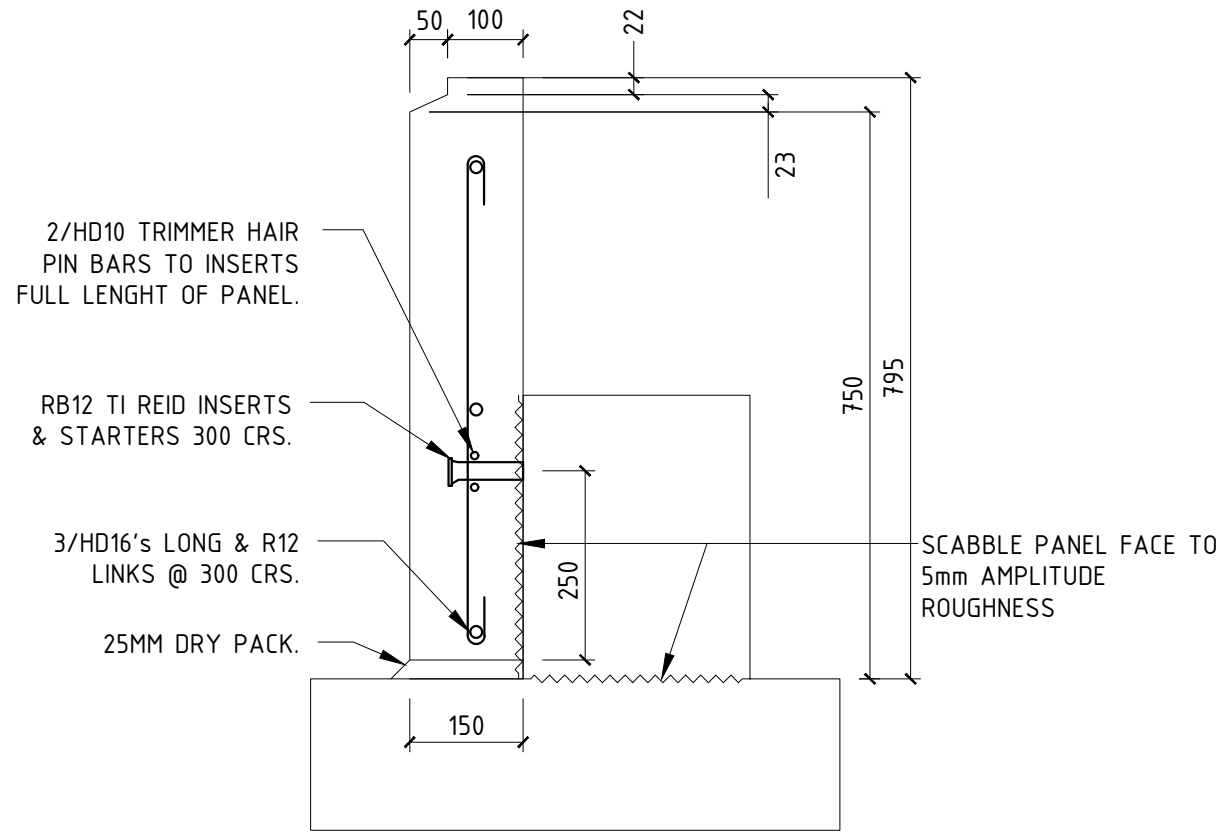
REF. STRUCTURE DRAWING NO. S17



GRID LINE 1 AND 4



OUTSIDE FACE ON GRID LINE 1 AND 4



**SECTION 1-1 (GRID LINE A)**

REF. STRUCTURE DRAWING NO. S17

**DETAIL - 2 BOTTOM FIXING (GRID LINE 1 & 4)**

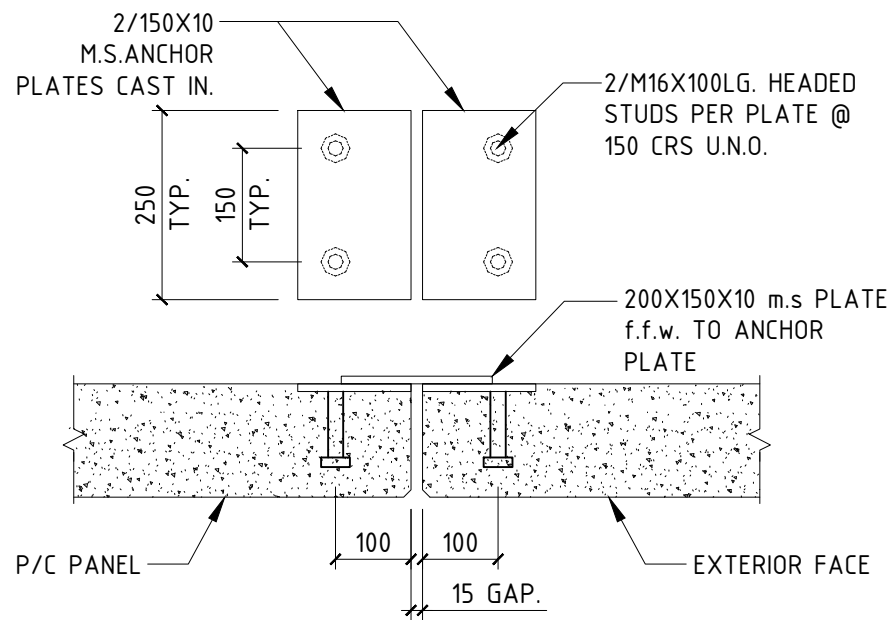
REF. STRUCTURE DRAWING NO. S15

**DETAIL - 1 TOP FIXING (GRID LINE 1 & 4)**

REF. STRUCTURE DRAWING NO. S07

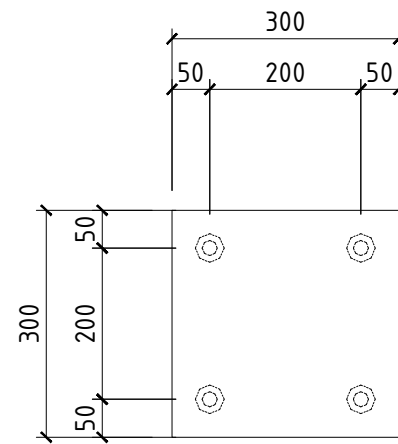
**NOTE:**  
 1) CONTRACTOR TO VERIFY ALL DIMENSIONS  
 2) APPROVER TO VERIFY ALL CLOUDED ITEMS  
 3) FOR APPROVAL NOT FOR FABRICATION

REV	NAME	DATE	DESCRIPTION	Naylor Love Construction		
A	HP	17.05.2017	FOR APPROVAL			
B	HP	18.05.2017	SECTION 1-1 ADDED			
C	HP	20.05.2017	REVISED AS PER COMMENTS			
D	HP	25.05.2017	FOR PRODUCTION			
				DRAWING TITLE: TYPICAL SECTIONS/DETAILS		ISSUE DATE: 17.05.2017
				CONTRACT: Noel Leeming		CHECKED DATE: 18.05.2017
				DRAWN: HP		CHECKED BY: NJ
				SCALE: 1:10		PROJECT No. 09797 - PC-100
						APPROVAL DATE: APPROVED BY: REV. D



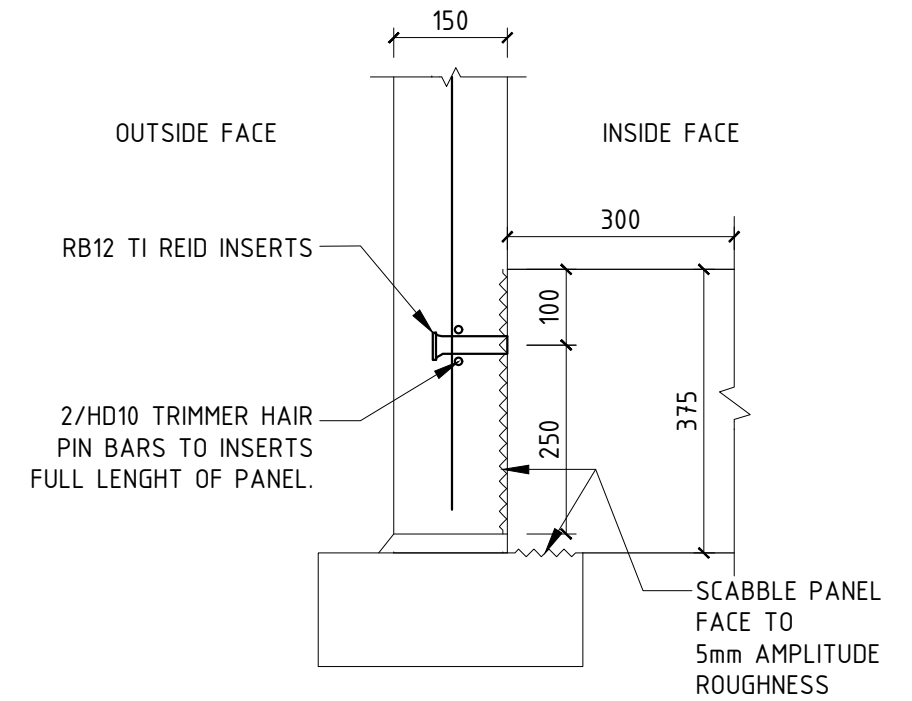
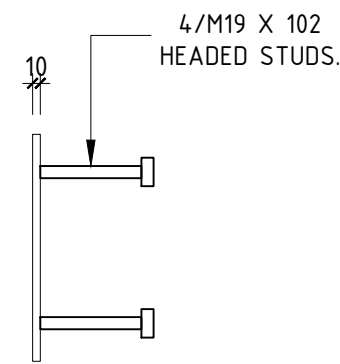
**CP1**

REF. STRUCTURE DRAWING NO. S15



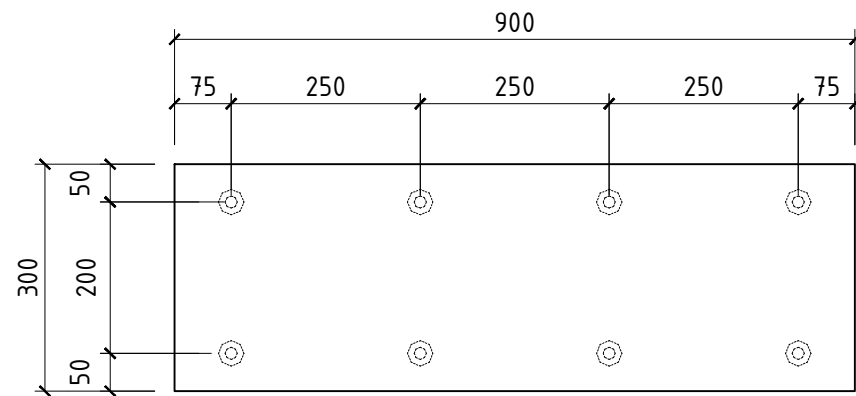
**EP1**

REF. STRUCTURE DRAWING NO. 2/S10



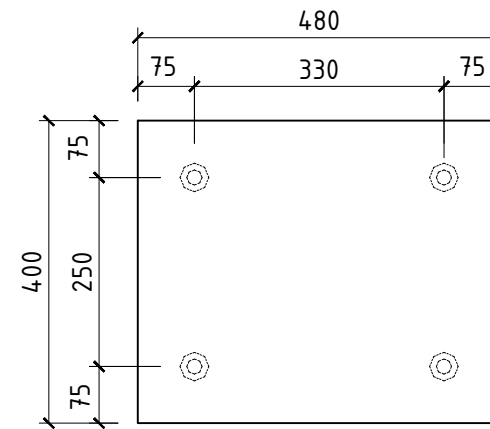
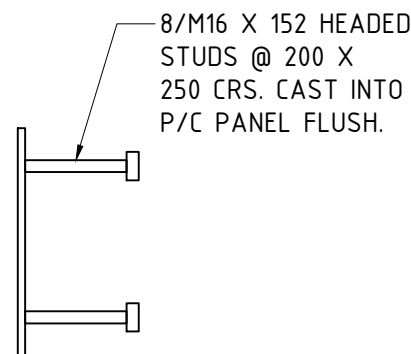
**SECTION 3-3 (GRID LINE C)**

REF. STRUCTURE DRAWING NO. S17



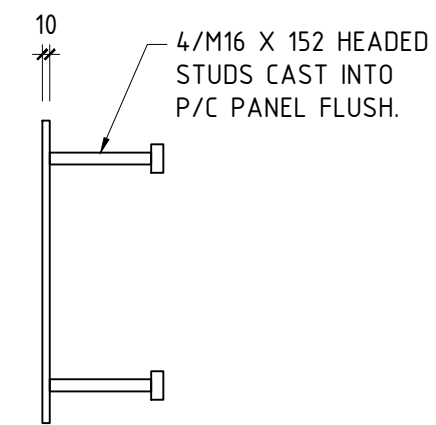
**EP2**

REF. STRUCTURE DRAWING NO. 2/S18



**EP3**

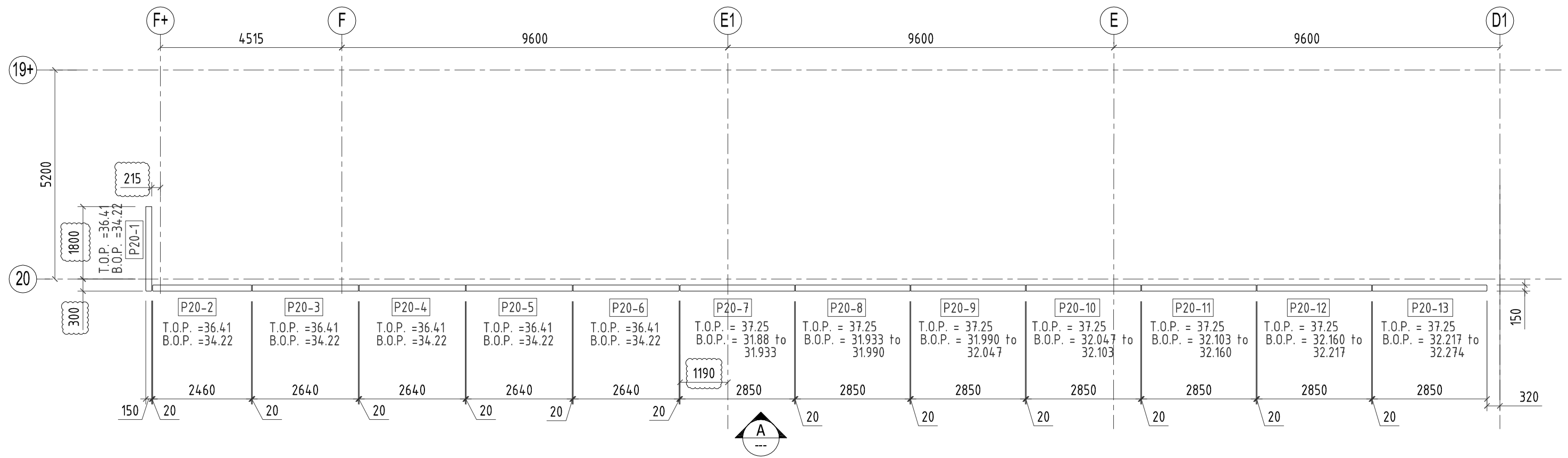
REF. STRUCTURE DRAWING NO. 2/S13



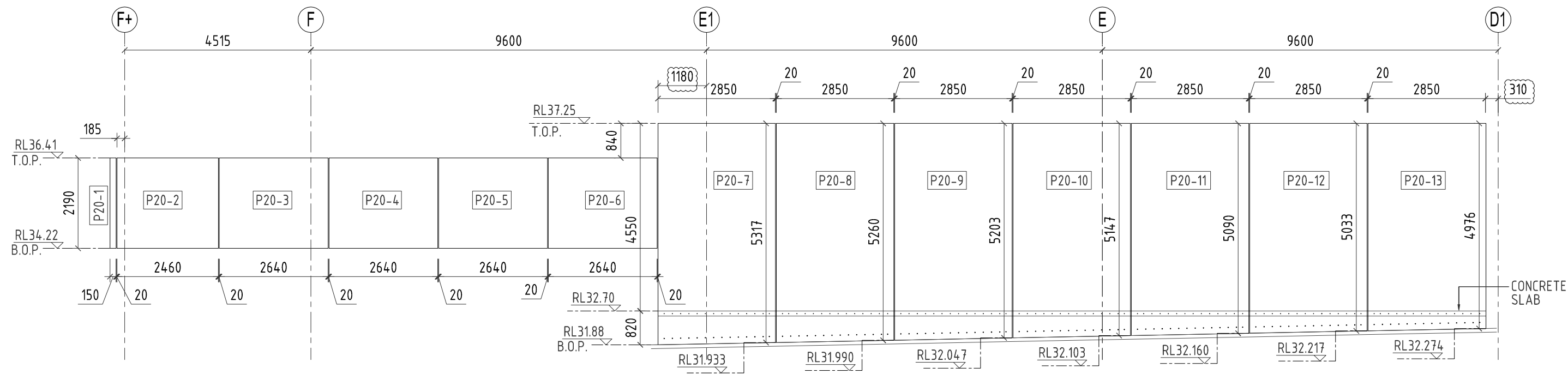
**NOTE:**  
 1) CONTRACTOR TO VERIFY ALL DIMENSIONS  
 2) APPROVER TO VERIFY ALL CLOUDED ITEMS  
 3) FOR APPROVAL NOT FOR FABRICATION

REV	NAME	DATE	DESCRIPTION	Naylor Love Construction		
A	HU	17.05.2017	FOR APPROVAL			
B	HP	20.05.2017	ADD SECTION 3-3			
C	HP	29.05.2017	FOR PRODUCTION			
DRAWING TITLE: TYPICAL PLATE DETAILS				ISSUE DATE: 17.05.2017	APPROVAL SENT:	
CONTRACT: Noel Learning				CHECKED DATE: 17.05.2017	APPROVAL DATE:	
DRAWN: HP				CHECKED BY: NJ	APPROVED BY:	
SCALE: 1:10	PROJECT No. 09797	DRAWING No. PC-101		REV. C		

# ALBANY LIFESTYLE CENTER



PRECAST PANEL LAYOUT



ELEVATION - A

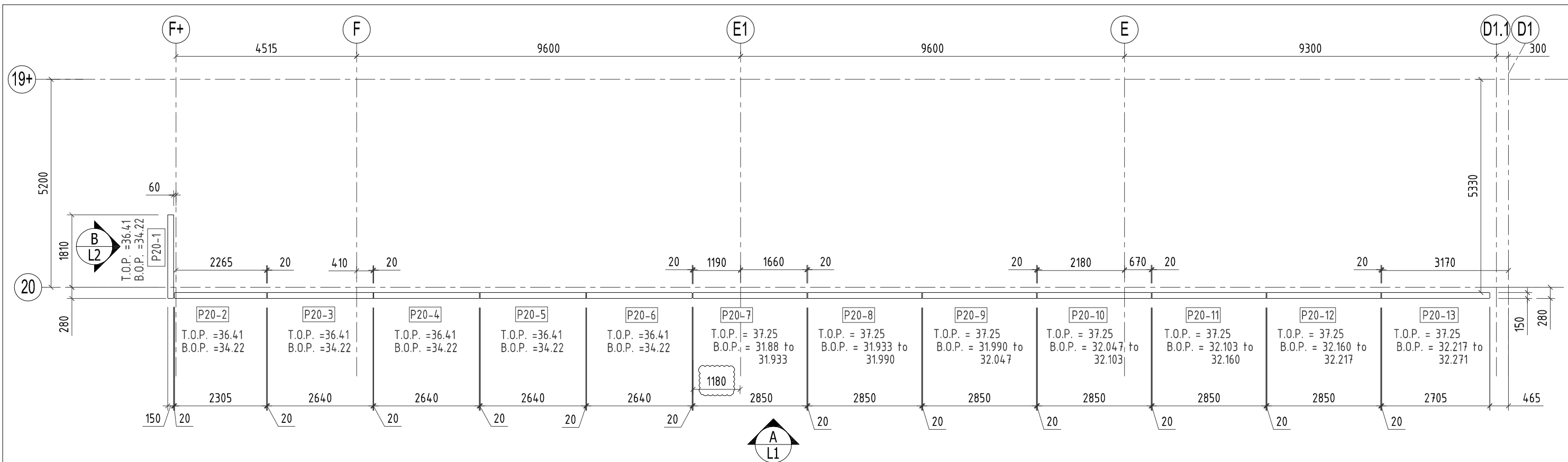
- NOTES:**
- Concrete strength to be 35MPa
  - Concrete cover to be 69mm, U.N.O.
  - Refer to NZ 3109 table 5.1 for precast tolerances
  - Mould face finish to be WP-10 U.N.O.
  - Top face finish to be U3 U.N.O.
  - Gaps between panels to be 20mm (typical) U.N.O.
  - Edge details are as noted.

- LEGEND**
- T.O.P = TOP OF PANEL
  - B.O.P = BOTTOM OF PANEL

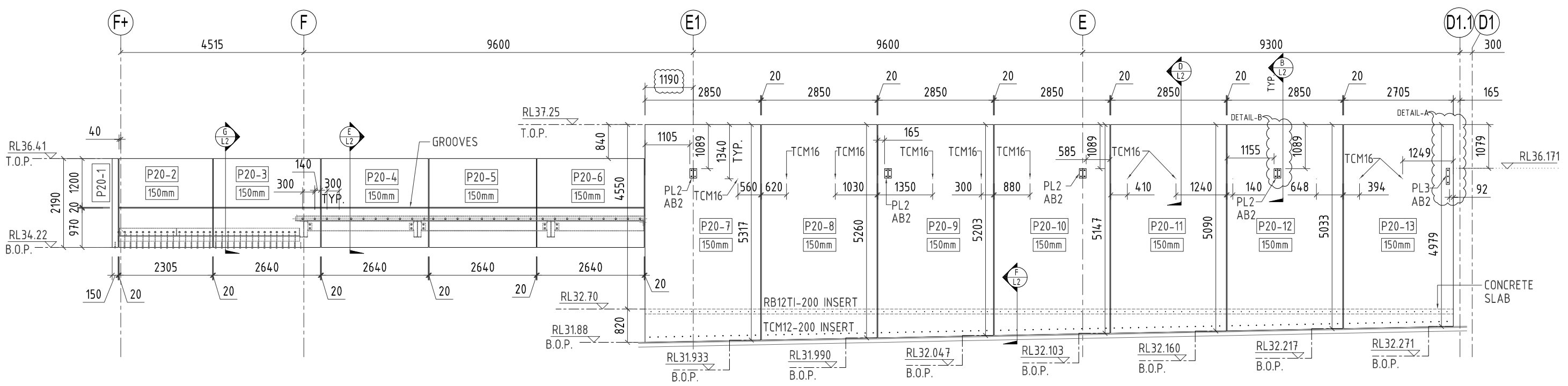
DRAWING\_PHASE

<small>COPYRIGHT in drawings, Specifications and any other documents from which works extracted from remain the property of NZ Group. Confirm all works prior to construction. Do not scale the drawings. If unsure of anything please request NZ Group for Clarification.</small>	Rev	Description	Date	CONSULTANTS: Structural Engineering: STRUC-ENGINEERS Civil Engineering: CIVIL-ENG Services Engineering: SERVICES-ENG Fire Engineering: FIRE-ENG	PROJECT	SHEET TITLE: <b>PANEL LAYOUT PLAN</b> <b>OVERALL DIMENSIONS &amp; NUMBERING</b>	SCALE: 1:100 DATE: 13-07-2017 SHEET NO: L1	DRAWN BY: HP PROJECT NO: 116412 REVISION: A
					CLIENT/1			





**PRECAST PANEL LAYOUT**  
SCALE 1:100



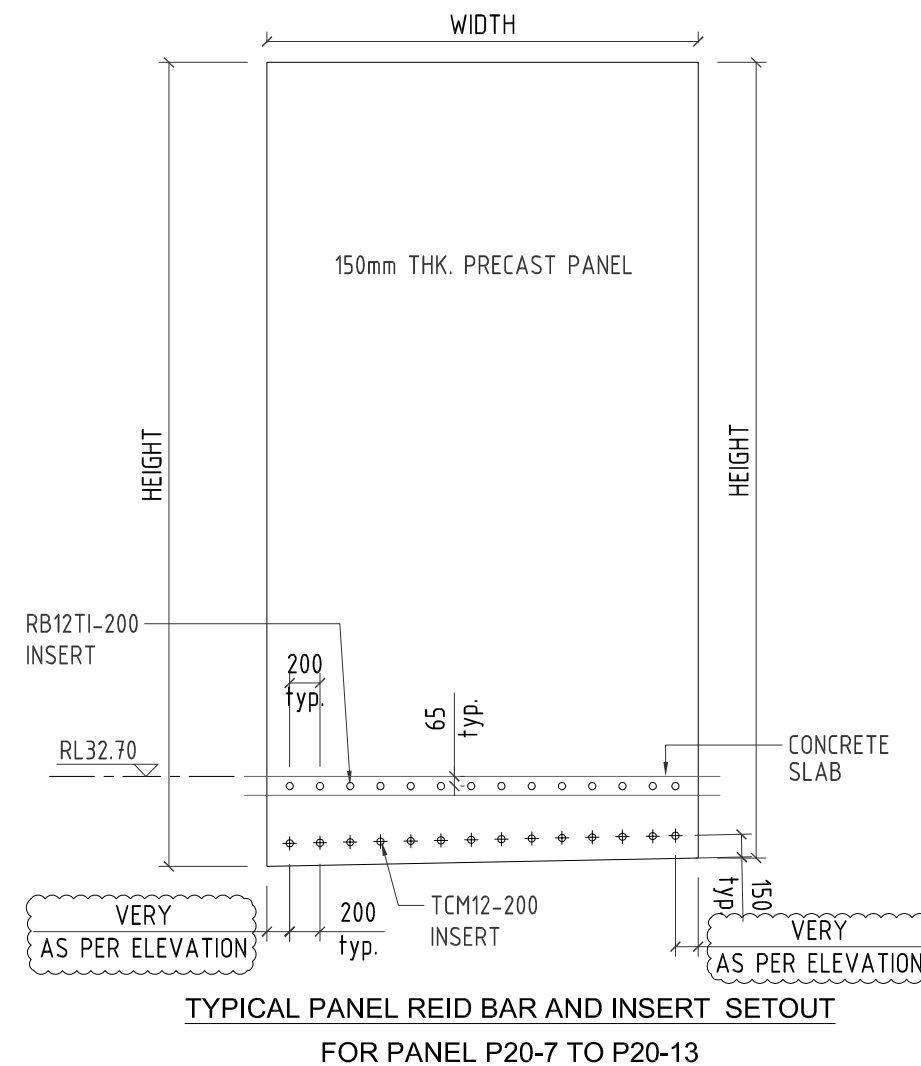
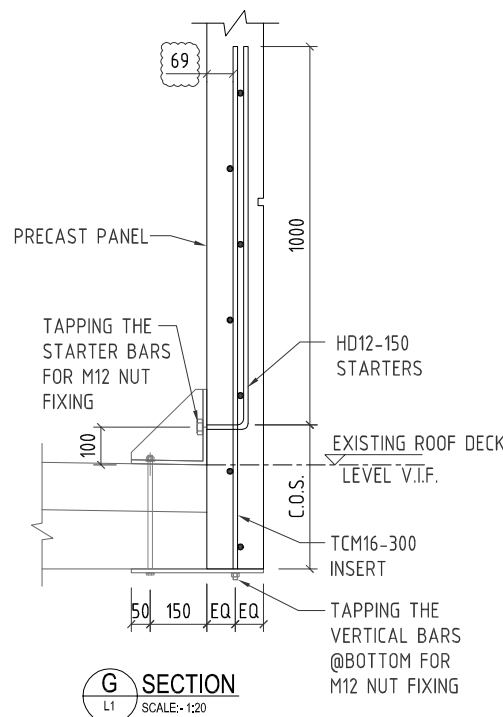
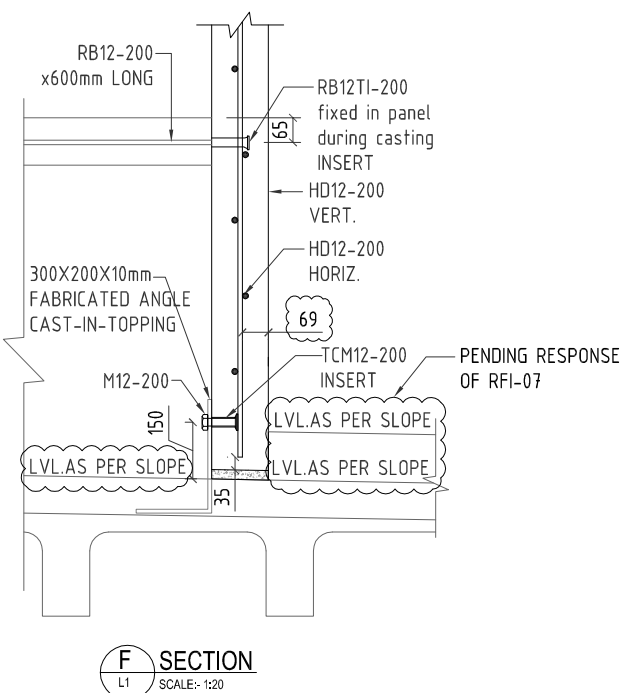
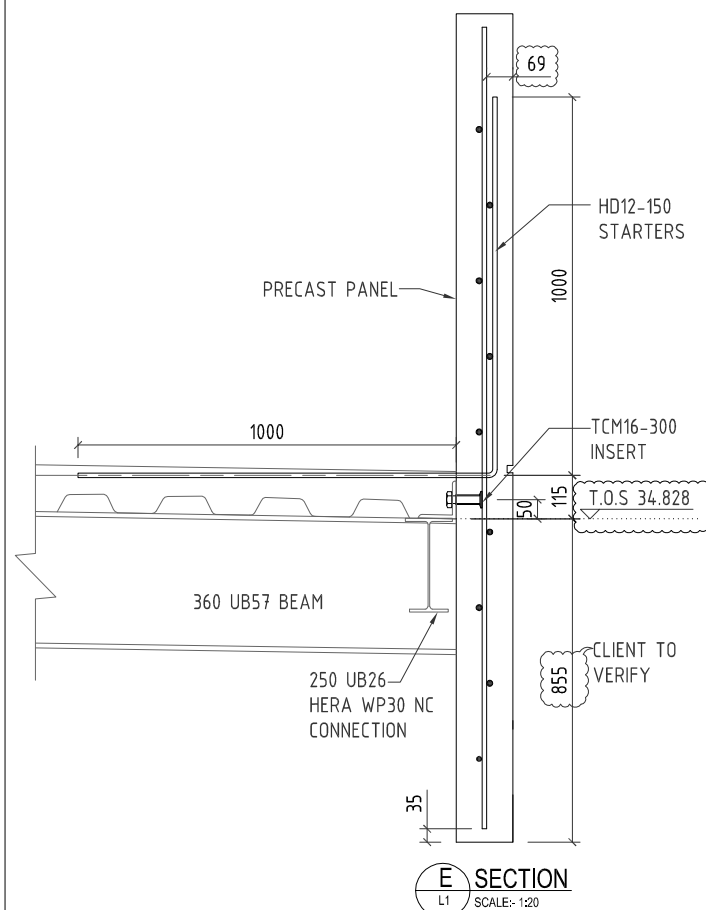
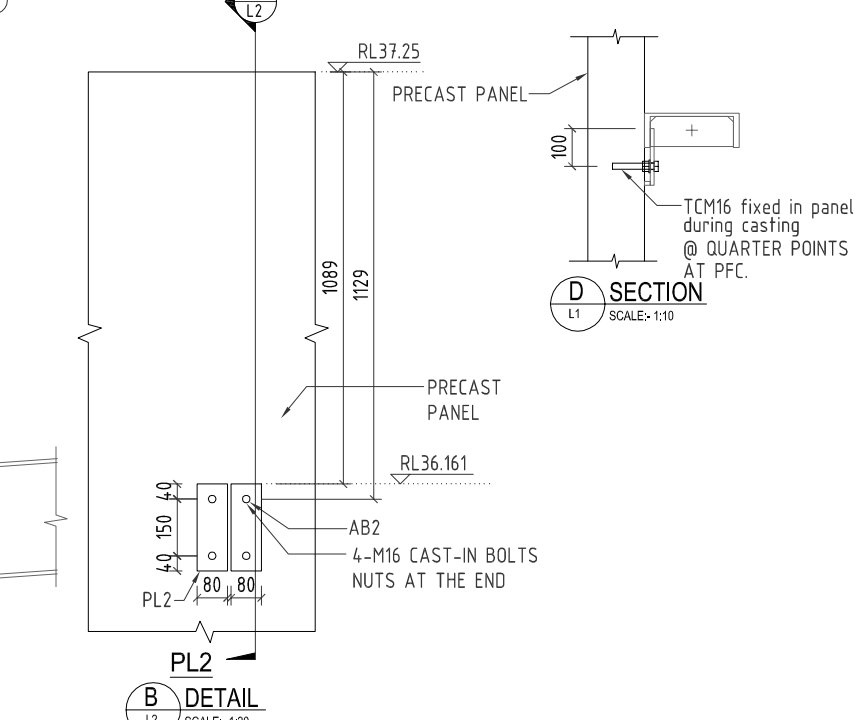
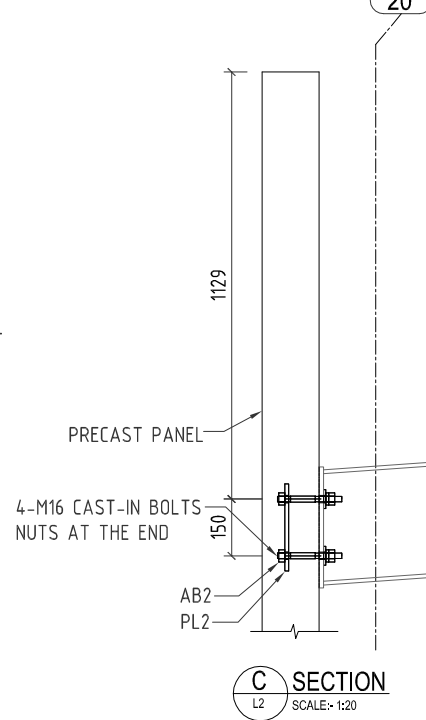
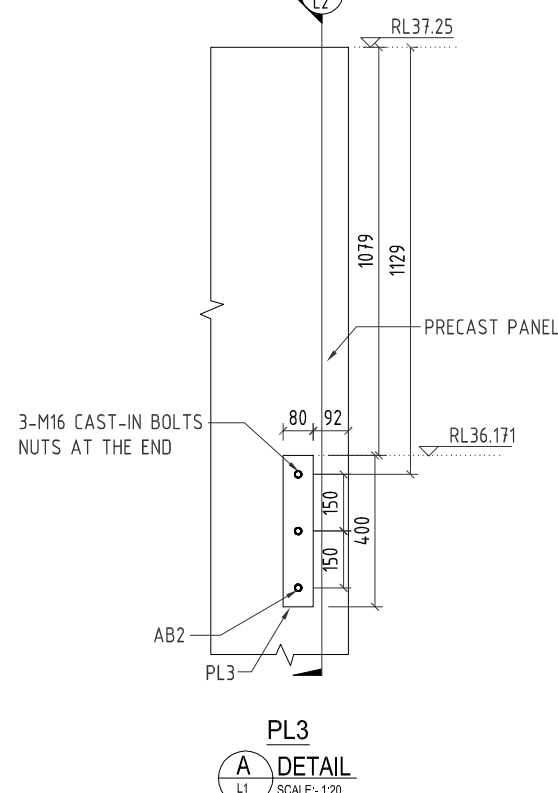
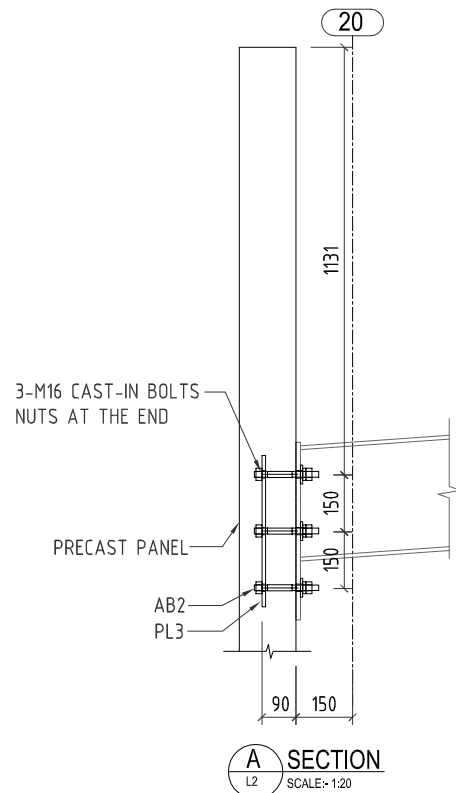
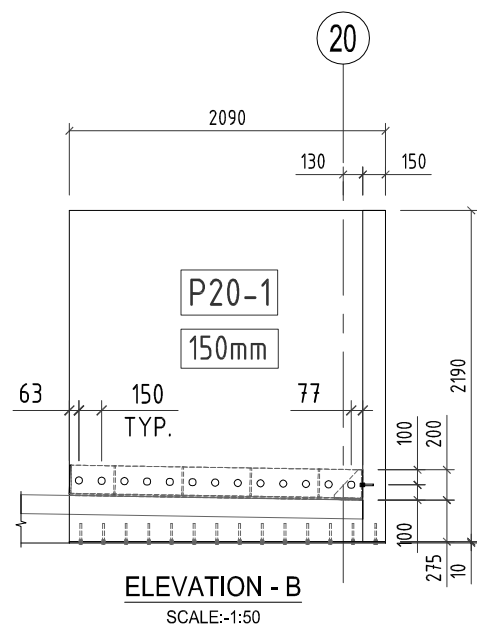
**ELEVATION - A**  
SCALE 1:100

- NOTES:**
- Concrete strength to be 35MPa
  - Concrete cover to be 35mm, U.N.O.
  - Refer to NZ 3109 table 5.1 for precast tolerances
  - Mould face finish to be F5
  - Top face finish to be U3 U.N.O. ← client to confirm
  - Gaps between panels to be 20mm (typical) U.N.O.
  - Edge details are as noted.

- LEGEND**
- T.O.P = Top of panel
  - B.O.P = Bottom of panel
  - T.O.S = Top of steel

**DRAWING\_PHASE**

<small>COPYRIGHT in drawings, Specifications and any other documents from which works extracted from remains the property of NZ Group. Confirm all works prior to construction. Do not Scale the drawings. If unsure of anything please refer to NZ Group for Clarification.</small>	<b>Rev</b> A B	<b>Description</b> ISSUED FOR APPROVAL UPDATE FILED MEASUREMENT AS PER STEEL WORK SETOUT	<b>Date</b> 17/07/17 29/07/17	<b>CONSULTANTS:</b> Structural Engineering : Civil Engineering : Services Engineering : Fire Engineering :	<b>PROJECT</b>  <b>CLIENT:</b> CLIENT/1	<b>SHEET TITLE:</b> PANEL LAYOUT PLAN OVERALL DIMENSIONS & NUMBERING	<b>SCALE:</b> 1:100 <b>DATE:</b> 17-07-2017 <b>SHEET NO:</b> L1	<b>DRAWN BY:</b> HP <b>PROJECT NO:</b> 116412 <b>REVISION:</b> B
--	----------------------	--	-------------------------------------	--	---	--	---	--

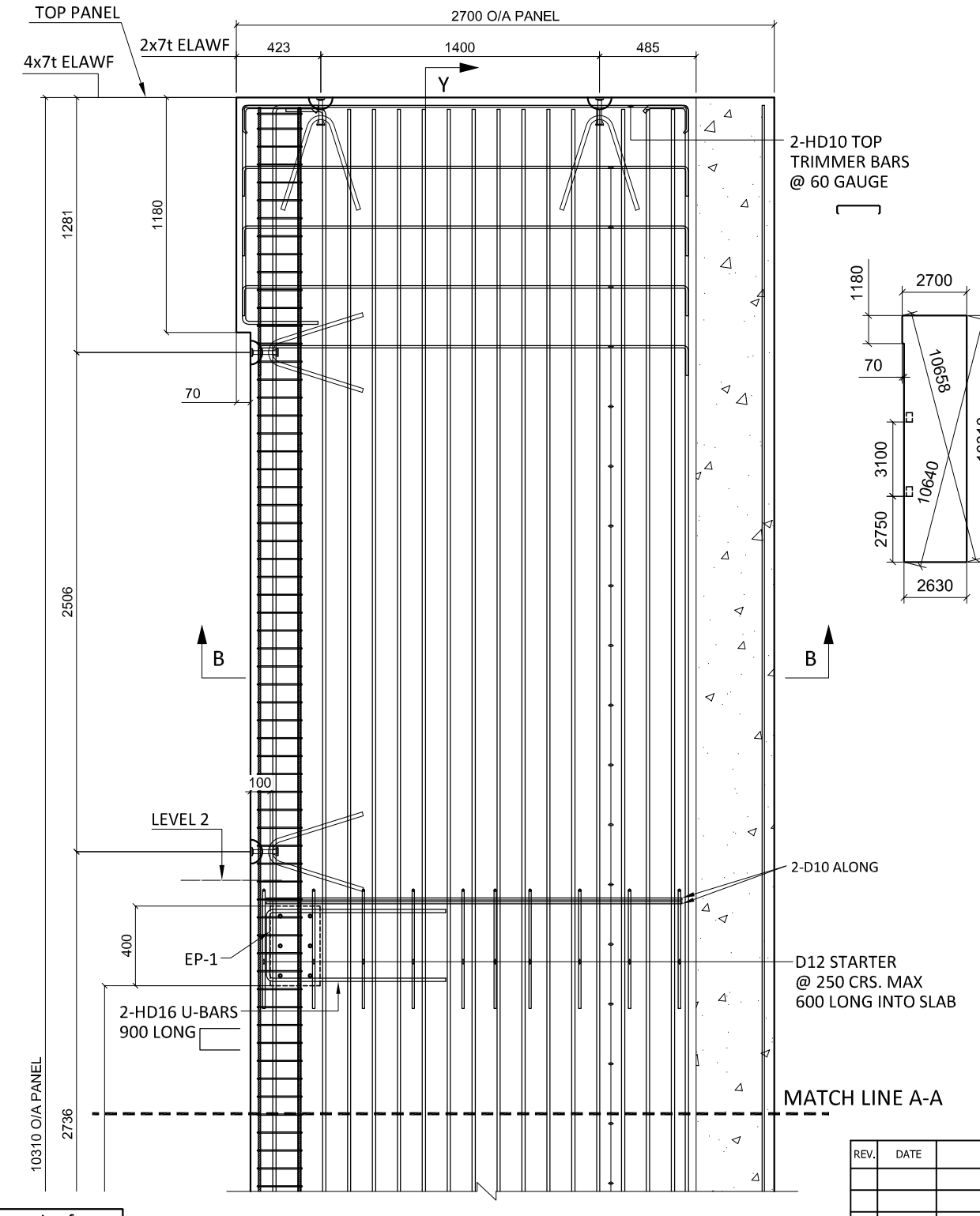
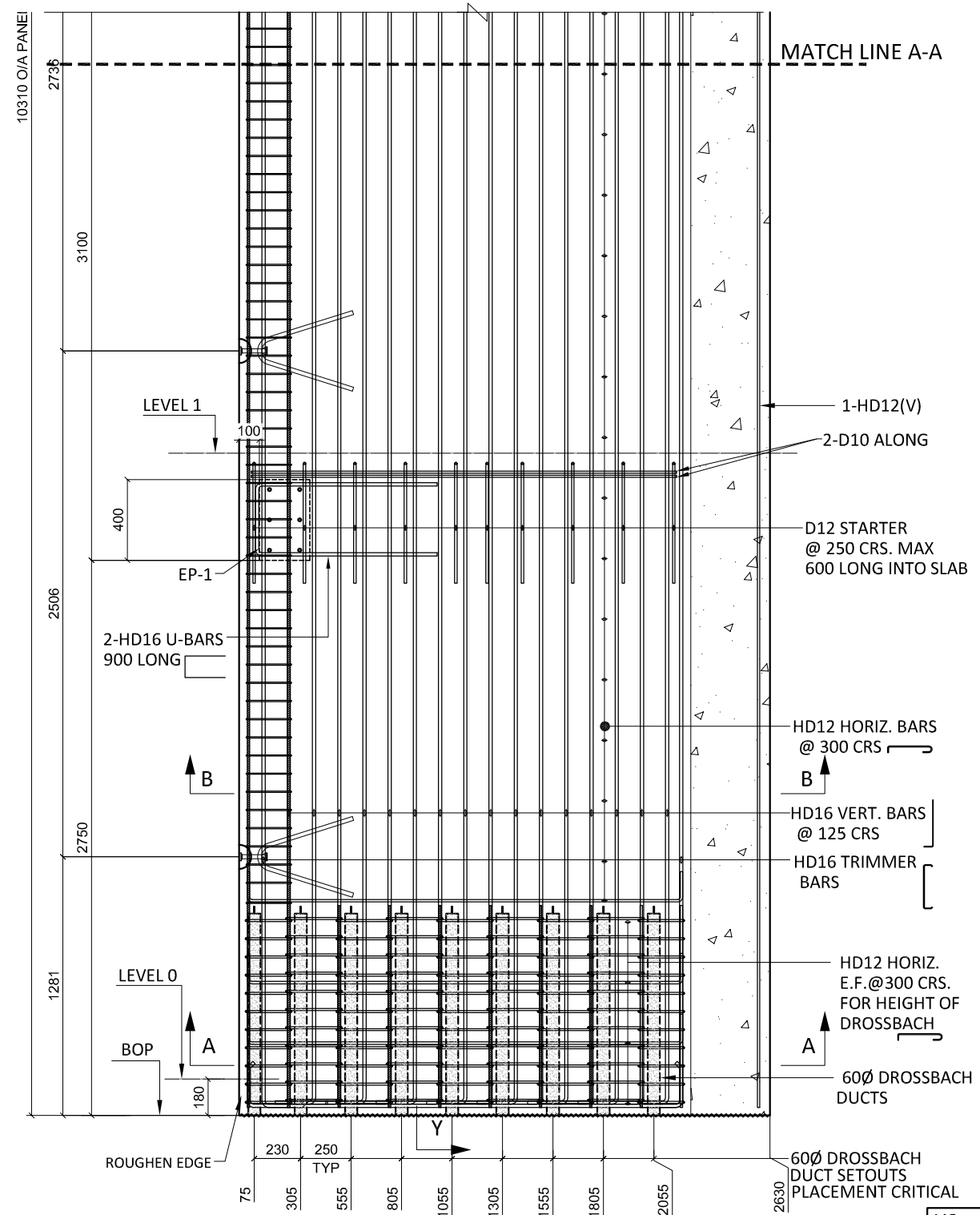
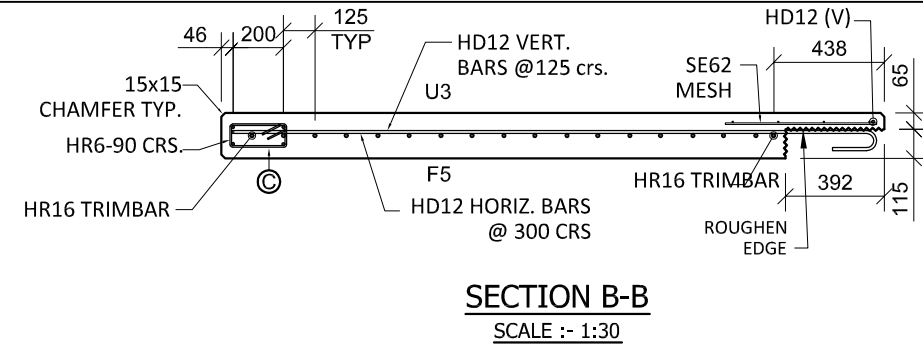
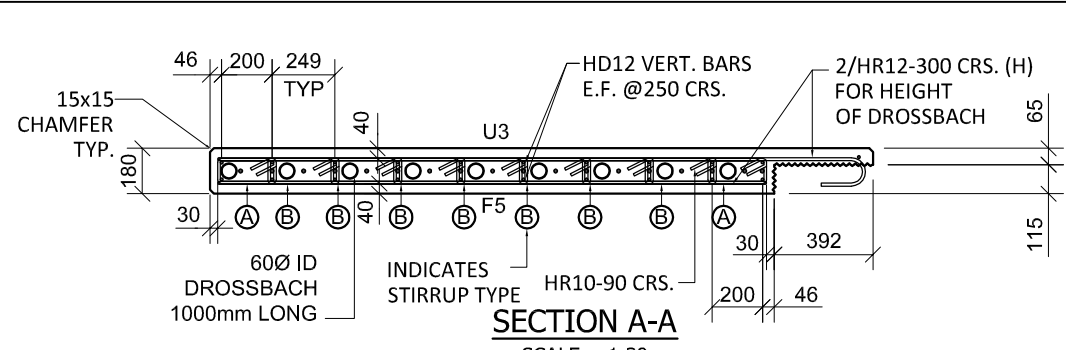


- NOTES:**
- Concrete strength to be 35MPa
  - Concrete cover to be 69mm, U.N.O.
  - Refer to NZ 3109 table 5.1 for precast tolerances
  - Mould face finish to be F5.
  - Top face finish to be U3 U.N.O.
  - Gaps between panels to be 20mm (typical) U.N.O.
  - Edge details are as noted.

- LEGEND**
- T.O.P = Top of panel
  - B.O.P = Bottom of panel
  - T.O.S = Top of steel

COPYRIGHT in all drawings. Specifications and any other documents from which works extracted from remain the property of NZ Strong. Confirm all works prior to construction. Do not scale the drawings. If unsure of anything please refer to NZ Strong for clarification.			CONSULTANTS: Structural Engineering: STRUC-ENGINEERS Civil Engineering: CIVIL-ENG Services Engineering: SERVICES-ENG Fire Engineering: FIRE-ENG			PROJECT: CLIENT/1		SHEET TITLE: PRECAST PANEL ELEVATION & DETAILS		SCALE: AS SHOWN DATE: 17-07-2017 SHEET NO: L2		DRAWN BY: HP PROJECT NO: 116412 REVISION: B	
Rev	Description	Date											
A	ISSUED FOR APPROVAL	17/07/17											
B	UPDATE FILED MEASUREMENT AS PER STEEL WORK SETOUT	29/07/17											

**APARTMENT BLOCK D,E,F**  
**1550 GRATE NORTH ROAD, WATERVIEW**



INSPECTION & TEST PLAN	
INSPECTED BY	
NAME OF FABRICATOR	
UNIT NO.	
CAST DATE	
CAST TIME	
CONCRETE DOCKET NO.	
CONCRETE SPECIF. (MPa)	

ITEM	FABRICATOR INITIAL	APPROVED Y/N
MOULD CLEANLINESS		
RELEASE OIL		
DIMENSIONS		
FORMWORK FIXED		
OPENING / REBATES CORRECT & POSITION		
<b>HOLD POINT</b>		
REINFORCING CORRECT		
LAPS & SPLICES CORRECT		
SPACING & COVER CORRECT		
<b>HOLD POINT</b>		
LIFTERS POSITIONED CORRECTLY		
CAST - IN ITEMS		
STARTERS, LACING BARS		
<b>APPROVED FOR CASTING</b>		

POST POUR INSPECTION	
INSPECTED BY	
DATE	

ITEM	APPROVED Y/N
SWIFTLIFTS POSITION	
SWIFTLIFTS RECESS CLEANED	
CAST-IN ITEMS CLEANED	
CONCRETE FINISH	
LABELLED (NUMBER / DATED)	
DAMAGE (CRACKS / CHIPPING)	
CLEANLINESS	

ANY ACTION REQUIRED:	

APPROVED FOR DISPATCH	

SLING ANGLE TO BE NOT LESS THAN 60° TO HORIZONTAL WHEN LIFTING

40cvr TO ALL EDGES & FACES (UNO)

CAST IN SUNDRY  
9x60Ø DROSSBACH

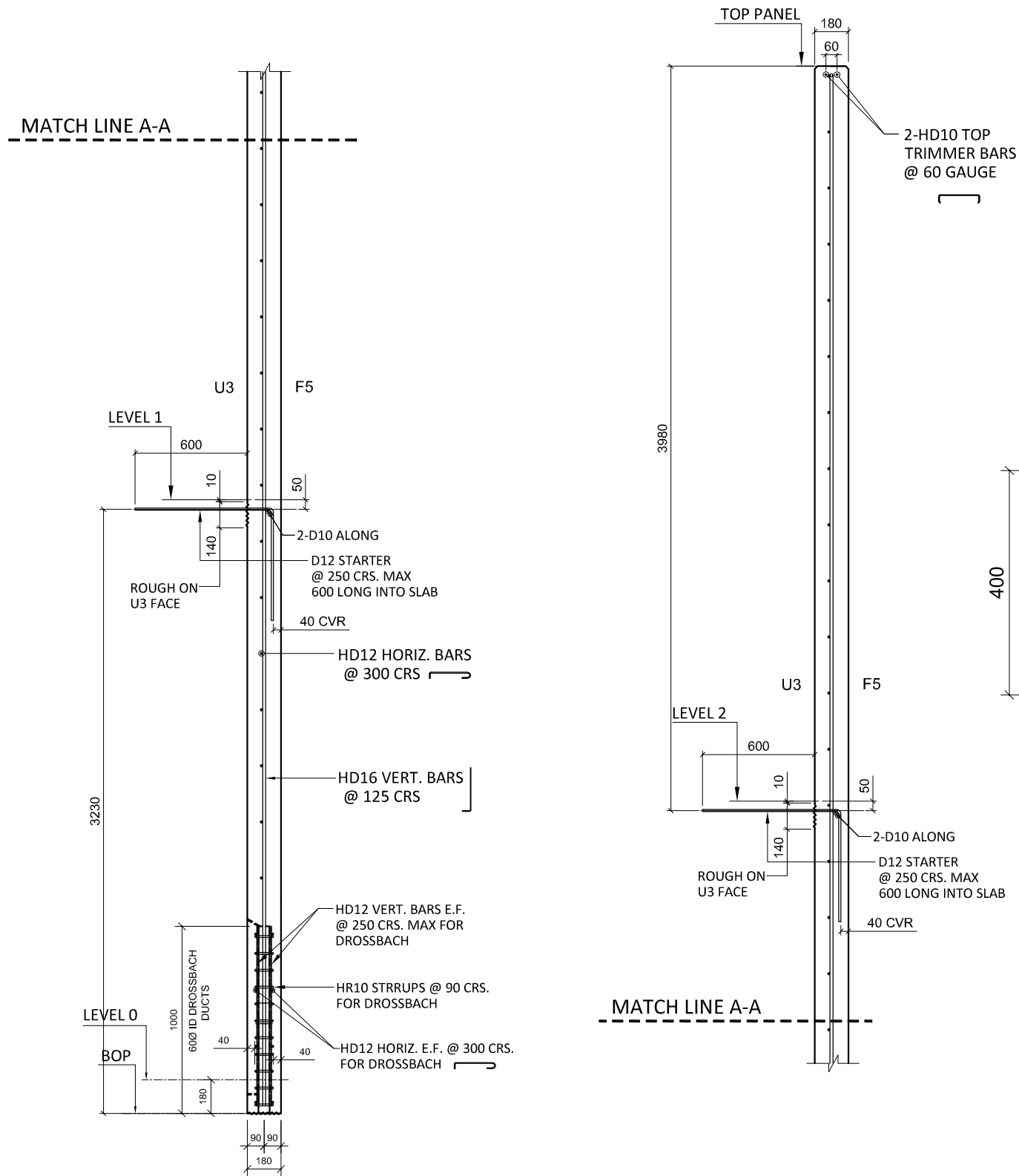
Area (m <sup>2</sup> )	27.57
Vol (m <sup>3</sup> )	4.96
Wt. (t)	12.41
MPa	40MPa
FINISH	F5/U3 FINISH
NO: OFF	3

REV.	DATE	DESCRIPTION	DRAWN	APPROVED
1	22/03/18	ISSUE FOR CONSTRUCTION	KS	

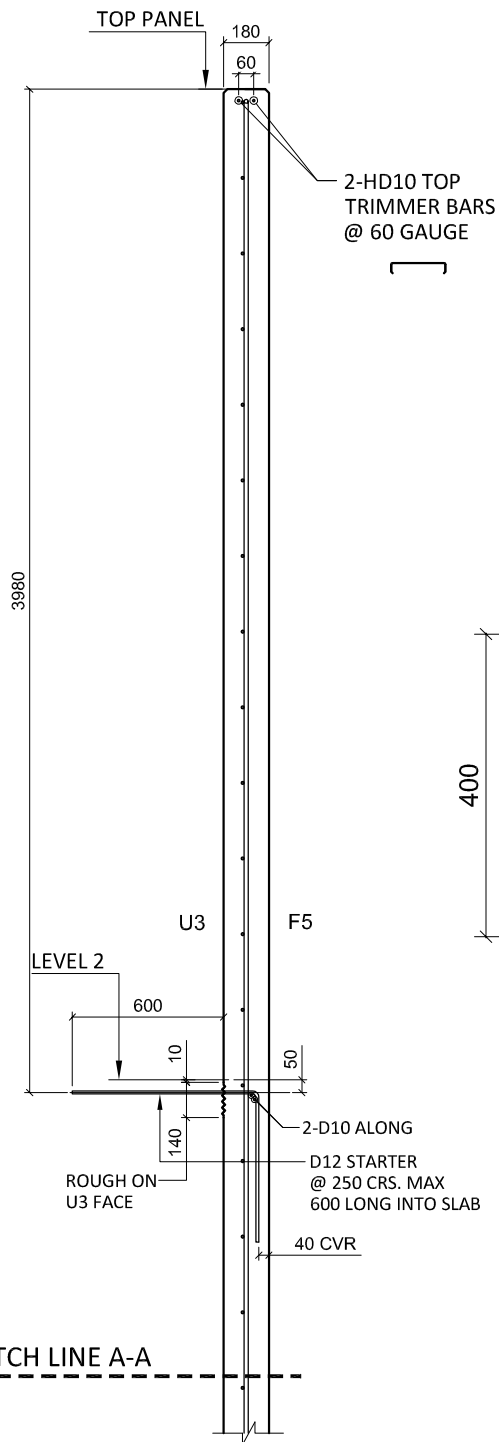
U3 and F5 are sim faces. Good finish quality is expected

DRAWING TO BE READ IN CONJUNCTION WITH P08/2 & PC06

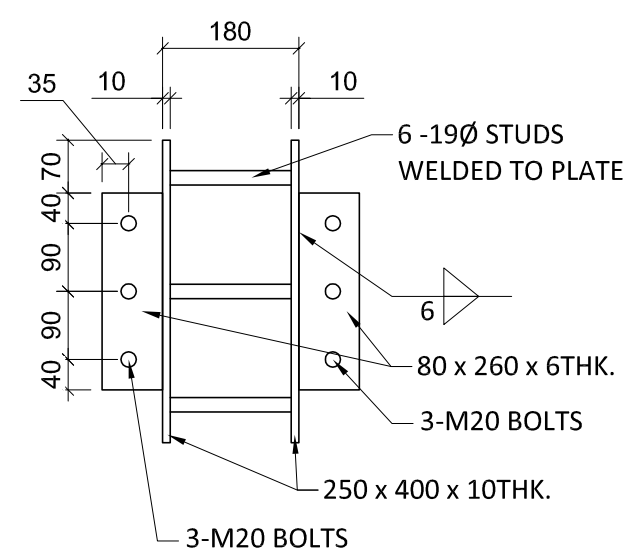
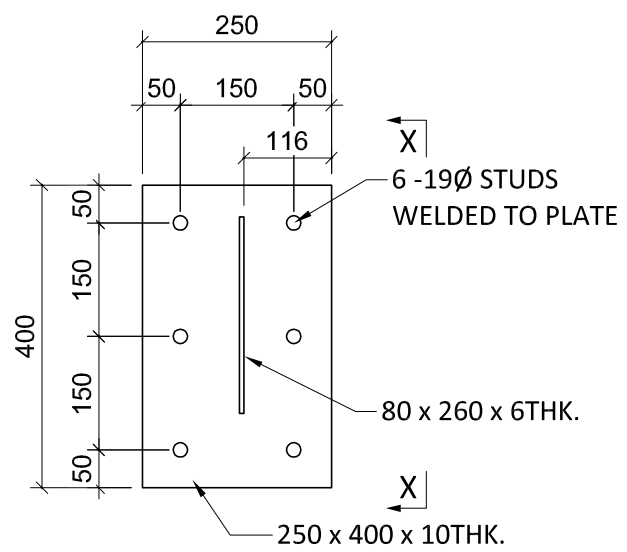
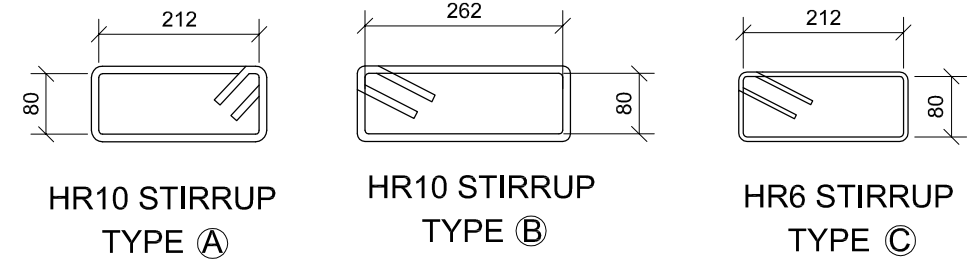
Contractor	Job	Title	Drawn	Date	Job No.
	1550 GREAT NORTH ROAD	BLOCK - D,E & F PANEL P08 @ GRID D3,E3 & F3	KS	24/02/18	J665
			Checked	Scale (A3)	Dwg No.
			sp	1:30, 1:25	P08/1
					1 REV.



**SECTION Y-Y**  
SCALE :- 1:30



**EP-1**  
SCALE 1:10



**SECTION X-X**  
SCALE 1:10

INSPECTION & TEST PLAN		
INSPECTED BY		
NAME OF FABRICATOR		
UNIT NO.		
CAST DATE		
CAST TIME		
CONCRETE DOCKET NO.		
CONCRETE SPECIF. (MPa)		

ITEM	FABRICATOR INITIAL	APPROVED Y / N
MOULD CLEANLINESS		
RELEASE OIL		
DIMENSIONS		
FORMWORK FIXED		
OPENING / REBATES CORRECT & POSITION		
<b>HOLD POINT</b>		
REINFORCING CORRECT		
LAPS & SPLICES CORRECT		
SPACING & COVER CORRECT		
<b>HOLD POINT</b>		
LIFTERS POSITIONED CORRECTLY		
CAST - IN ITEMS		
STARTERS, LACING BARS		
<b>APPROVED FOR CASTING</b>		

POST POUR INSPECTION	
INSPECTED BY	
DATE	

ITEM	APPROVED Y / N
SWIFTLIFTS POSITION	
SWIFTLIFTS RECESS CLEANED	
CAST-IN ITEMS CLEANED	
CONCRETE FINISH	
LABELLED (NUMBER / DATED)	
DAMAGE (CRACKS / CHIPPING)	
CLEANLINESS	

ANY ACTION REQUIRED:

**APPROVED FOR DISPATCH**

SLING ANGLE TO BE NOT LESS THAN 60° TO HORIZONTAL WHEN LIFTING

40cvr TO ALL EDGES & FACES (UNO)

**CAST IN SUNDRY**  
9x60Ø DROSSBACH

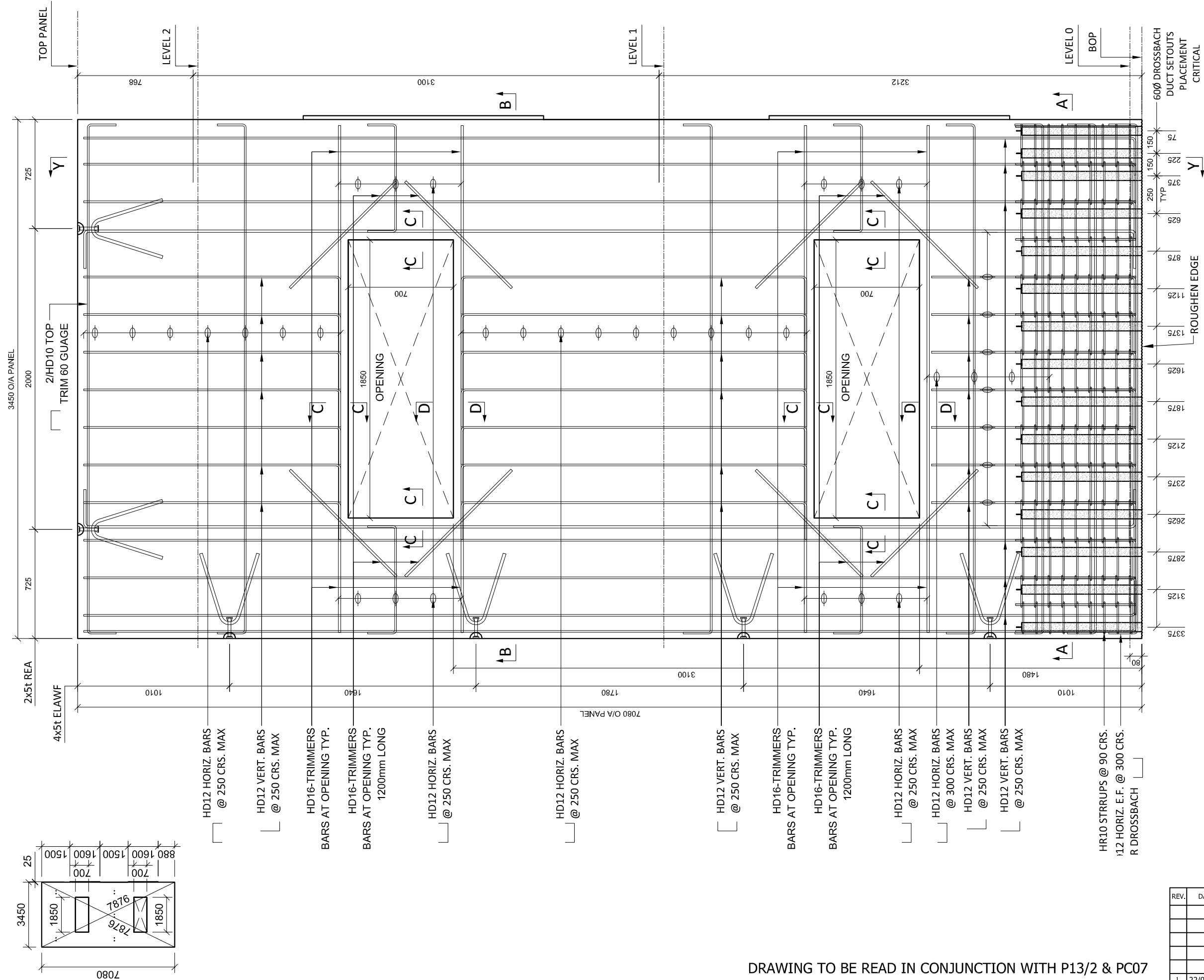
Area (m <sup>2</sup> )	27.57
Vol (m <sup>3</sup> )	4.96
Wt. (t)	12.41
MPa	40MPa
FINISH	F5/U3 FINISH
NO: OFF	3

REV.	DATE	DESCRIPTION	DRAWN	APPROVED
1	22/03/18	ISSUE FOR CONSTRUCTION	KS	

DRAWING TO BE READ IN CONJUNCTION WITH P08/1

Contractor	Job	Title	Drawn	Date	Job No.
	1550 GREAT NORTH ROAD	BLOCK - D,E & F PANEL P08 @ GRID D3,E3 & F3	KS	24/02/18	J665
			Checked	Scale (A3)	Dwg No.
			sp	1:30, 1:25	P08/2 1

COPYRIGHT RESERVED



INSPECTION & TEST PLAN	
INSPECTED BY	
NAME OF FABRICATOR	
UNIT NO.	
CAST DATE	
CAST TIME	
CONCRETE DOCKET NO.	
CONCRETE SPECIF. (MPa)	

ITEM	FABRICATOR INITIAL	APPROVED Y/N
MOULD CLEANLINESS		
RELEASE OIL		
DIMENSIONS		
FORMWORK FIXED		
OPENING / REBATES CORRECT & POSITION		
<b>HOLD POINT</b>		
REINFORCING CORRECT		
LAPS & SPLICES CORRECT		
SPACING & COVER CORRECT		
<b>HOLD POINT</b>		
LIFTERS POSITIONED CORRECTLY		
CAST - IN ITEMS		
STARTERS, LACING BARS		
<b>APPROVED FOR CASTING</b>		

POST POUR INSPECTION	
INSPECTED BY	
DATE	

ITEM	APPROVED Y/N
SWIFTLIFTS POSITION	
SWIFTLIFTS RECESS CLEANED	
CAST-IN ITEMS CLEANED	
CONCRETE FINISH	
LABELLED (NUMBER / DATED)	
DAMAGE (CRACKS / CHIPPING)	
CLEANLINESS	

ANY ACTION REQUIRED:	
<b>APPROVED FOR DISPATCH</b>	

SLING ANGLE TO BE NOT LESS THAN 60° TO HORIZONTAL WHEN LIFTING

40cvt TO ALL EDGES & FACES (UNO)

**CAST IN SUNDRY**  
15x60Ø DROSSBACH

Area (m <sup>2</sup> )	21.84
Vol (m <sup>3</sup> )	3.46
Wt. (t)	6.33
MPa	40MPa
FINISH	F5/U3 FINISH
NO: OFF	3

**P13 PLAN AS CAST - 180 THK**  
SCALE :- 1:25

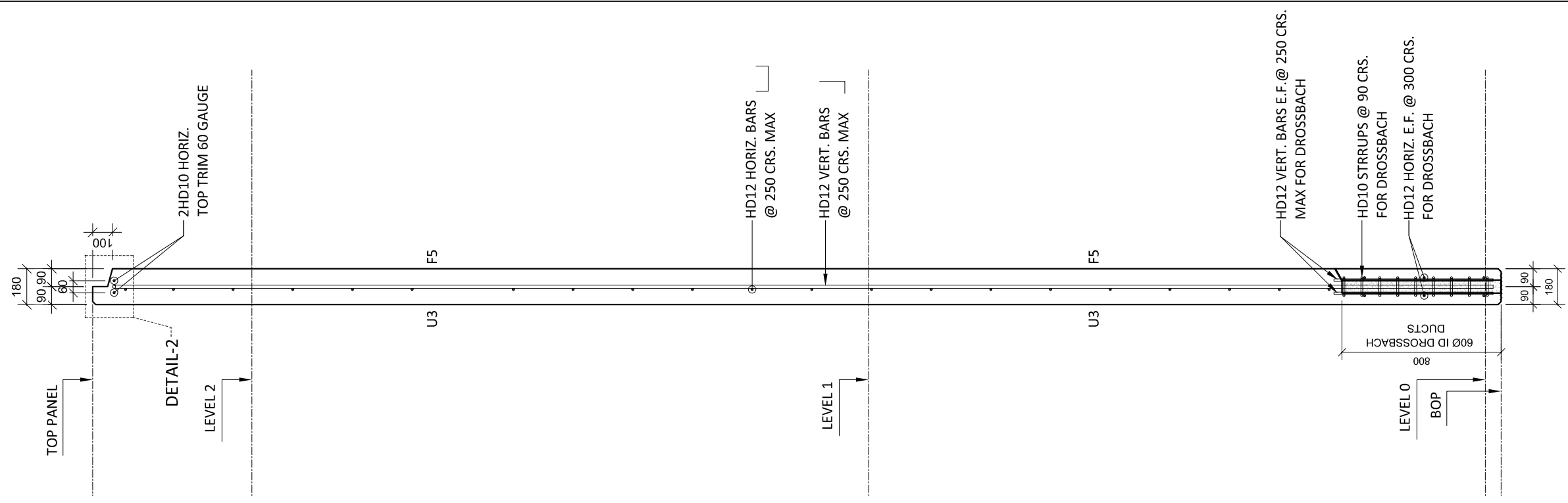
REV.	DATE	DESCRIPTION	DRAWN	APPROVED
1	22/03/18	ISSUE FOR CONSTRUCTION	NS	

DRAWING TO BE READ IN CONJUNCTION WITH P13/2 & PC07

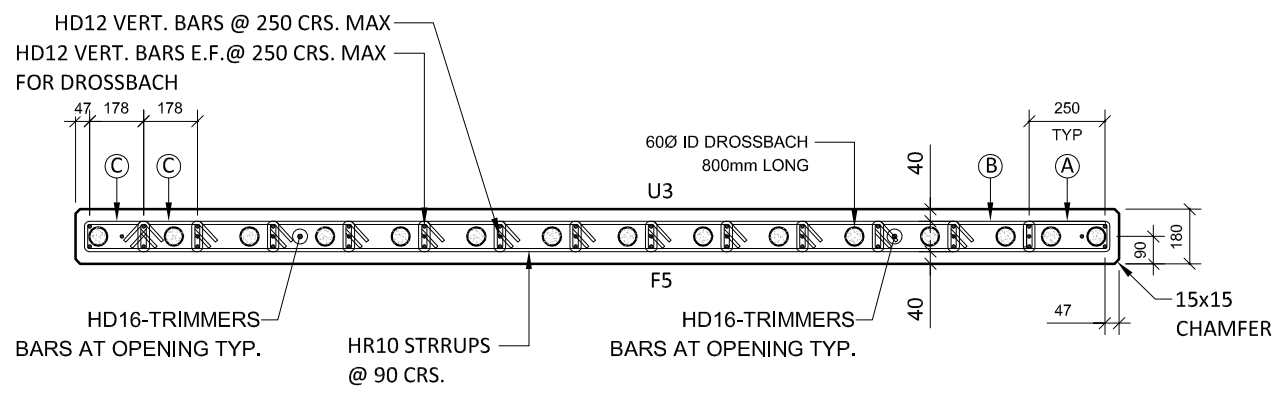
Contractor	Job	Title
	1550 GREAT NORTH ROAD	BLOCK - D, E & F PANEL P13 @ GRID D4, E4, F4

Drawn	NS	Date	27/02/18	Job No.	J665
Checked	SP	Scale (A3)	1:25 1:200	Dwg No.	P13/1 1

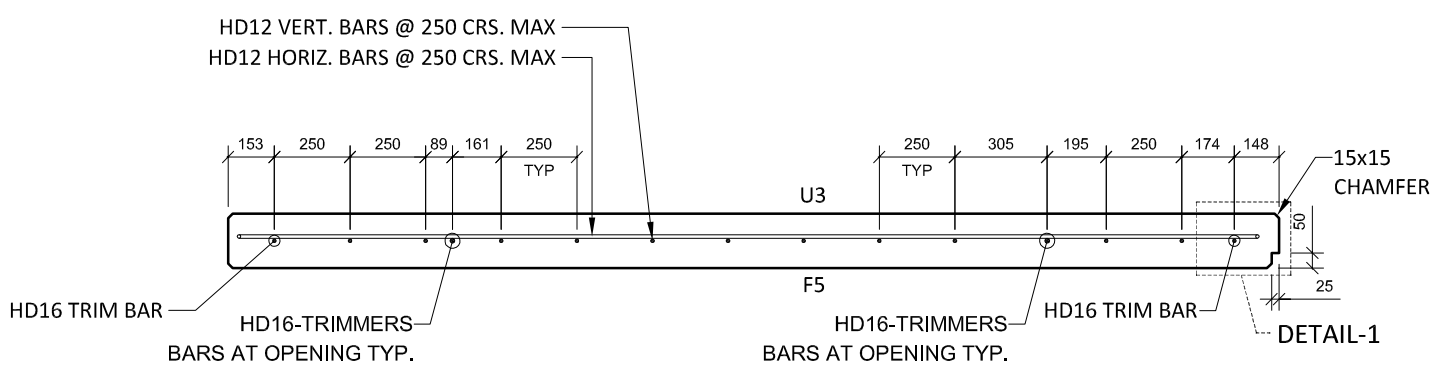
COPYRIGHT RESERVED



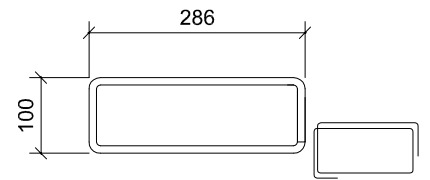
**SECTION Y-Y**  
SCALE :- 1:25



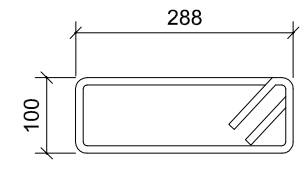
**SECTION A-A**  
SCALE :- 1:25



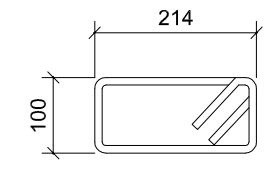
**SECTION B-B**  
SCALE :- 1:25



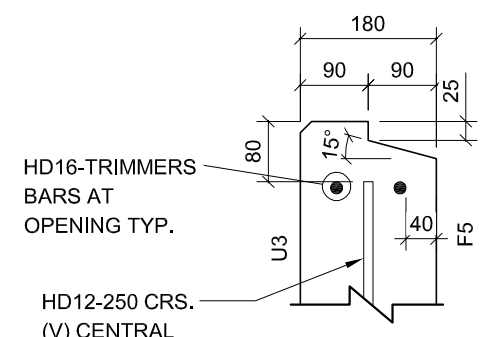
**HR10 STRRUPS**  
TYPE :-A  
SCALE :- 1:10



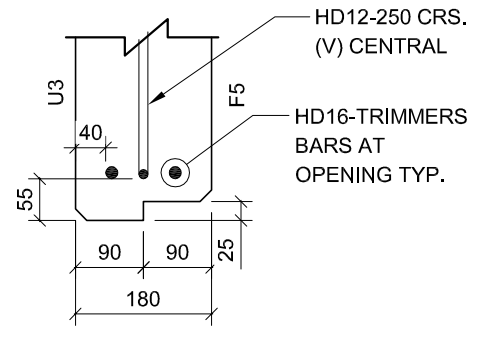
**HR10 STRRUPS**  
TYPE :-B  
SCALE :- 1:10



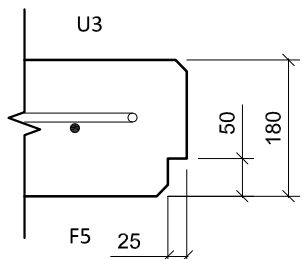
**HR10 STRRUPS**  
TYPE :-C  
SCALE :- 1:10



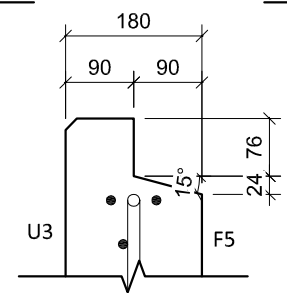
**SECTION D-D**  
SCALE :- 1:25



**SECTION C-C**  
SCALE :- 1:25



**Detail-1**  
SCALE :- 1:10



**Detail-2**  
SCALE :- 1:10

DRAWING TO BE READ IN CONJUNCTION WITH P13/1

INSPECTION & TEST PLAN	
INSPECTED BY	
NAME OF FABRICATOR	
UNIT NO.	
CAST DATE	
CAST TIME	
CONCRETE DOCKET NO.	
CONCRETE SPECIF. (MPa)	

ITEM	FABRICATOR INITIAL	APPROVED Y / N
MOULD CLEANLINESS		
RELEASE OIL		
DIMENSIONS		
FORMWORK FIXED		
OPENING / REBATES CORRECT & POSITION		
<b>HOLD POINT</b>		
REINFORCING CORRECT		
LAPS & SPLICES CORRECT		
SPACING & COVER CORRECT		
<b>HOLD POINT</b>		
LIFTERS POSITIONED CORRECTLY		
CAST - IN ITEMS		
STARTERS, LACING BARS		
<b>APPROVED FOR CASTING</b>		

POST POUR INSPECTION	
INSPECTED BY	
DATE	

ITEM	APPROVED Y / N
SWIFTLIFTS POSITION	
SWIFTLIFTS RECESS CLEANED	
CAST-IN ITEMS CLEANED	
CONCRETE FINISH	
LABELED (NUMBER / DATED)	
DAMAGE (CRACKS / CHIPPING)	
CLEANLINESS	

ANY ACTION REQUIRED:

**APPROVED FOR DISPATCH**

SLING ANGLE TO BE NOT LESS THAN 60° TO HORIZONTAL WHEN LIFTING

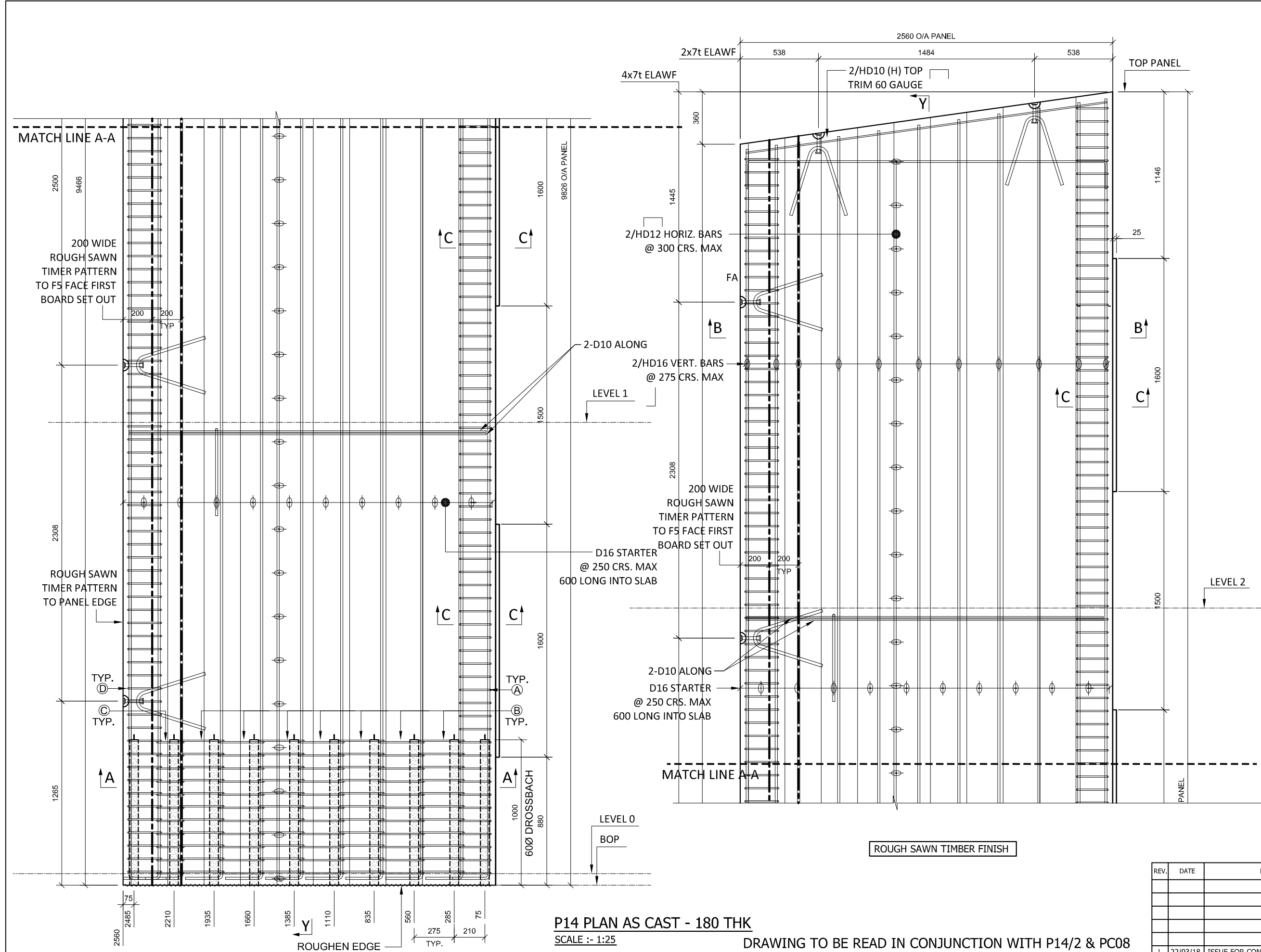
40cvt TO ALL EDGES & FACES (UNO)

**CAST IN SUNDRY**  
15x60Ø DROSSBACH

Area (m <sup>2</sup> )	21.84
Vol (m <sup>3</sup> )	3.46
Wt. (t)	6.33
MPa	40MPa
FINISH	F5/U3 FINISH
NO: OFF	3

REV.	DATE	DESCRIPTION	DRAWN	APPROVED
1	22/03/18	ISSUE FOR CONSTRUCTION	NS	

Contractor	Job	Title	COPYRIGHT RESERVED	Drawn	NS	Date	27/02/18	Job No.	J665
	1550 GREAT NORTH ROAD	BLOCK - D, E & F PANEL P13 @ GRID D4, E4, F4		Checked	SP	Scale (A3)	1:25 1:10		P13/2



INSPECTION & TEST PLAN		
INSPECTED BY		
NAME OF FABRICATOR		
UNIT NO.		
CAST DATE		
CAST TIME		
CONCRETE DOCKET NO.		
CONCRETE SPECIF. (MPa)		

ITEM	FABRICATOR INITIAL	APPROVED Y/N
MOULD CLEANLINESS		
RELEASE OIL		
DIMENSIONS		
FORMWORK FIXED		
OPENING / REBATES CORRECT & POSITION		
<b>HOLD POINT</b>		
REINFORCING CORRECT		
LAPS & SPLICES CORRECT		
SPACING & COVER CORRECT		
<b>HOLD POINT</b>		
LIFTERS POSITIONED CORRECTLY		
CAST - IN ITEMS		
STARTERS, LACING BARS		
<b>APPROVED FOR CASTING</b>		

POST POUR INSPECTION	
INSPECTED BY	
DATE	

ITEM	APPROVED Y/N
SWIFTLIFTS POSITION	
SWIFTLIFTS RECESS CLEANED	
CAST-IN ITEMS CLEANED	
CONCRETE FINISH	
LABELLED (NUMBER / DATED)	
DAMAGE (CRACKS / CHIPPING)	
CLEANLINESS	
ANY ACTION REQUIRED: ROUGH SAWN TIMBER FINISH	
<b>APPROVED FOR DISPATCH</b>	

SLING ANGLE TO BE NOT LESS THAN 60° TO HORIZONTAL WHEN LIFTING

40cvr TO ALL EDGES & FACES (UNO)  
**CAST IN SUNDRY**  
 10x60Ø DROSSBACH

Area (m <sup>2</sup> )	24.69
Vol (m <sup>3</sup> )	4.44
Wt. (t)	11.11
MPa	40MPa
FINISH	F5/U3 FINISH
NO: OFF	3

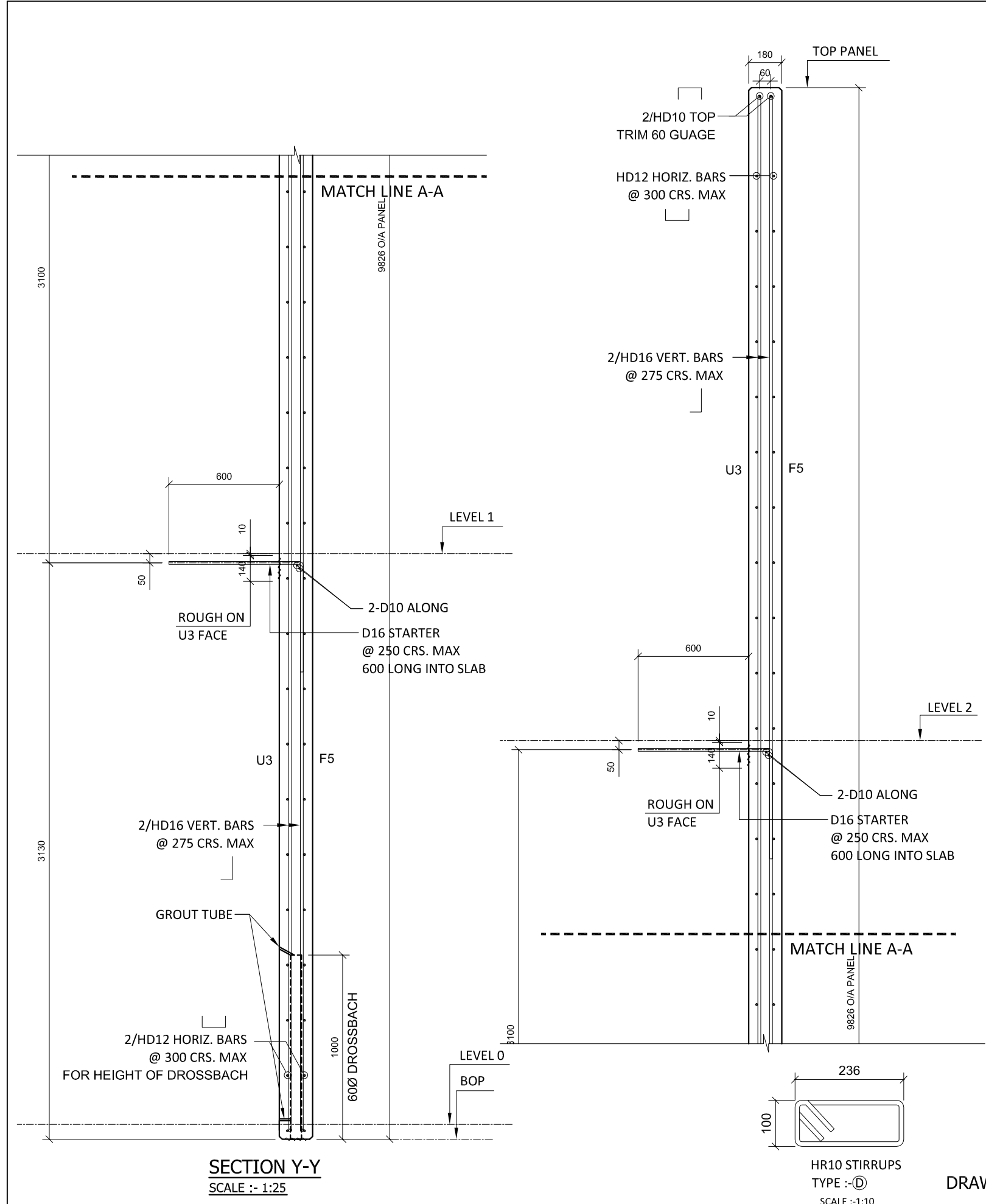
REV.	DATE	DESCRIPTION	DRAWN	APPROVED
1	22/03/18	ISSUE FOR CONSTRUCTION	SS	

**P14 PLAN AS CAST - 180 THK**  
 SCALE :- 1:25

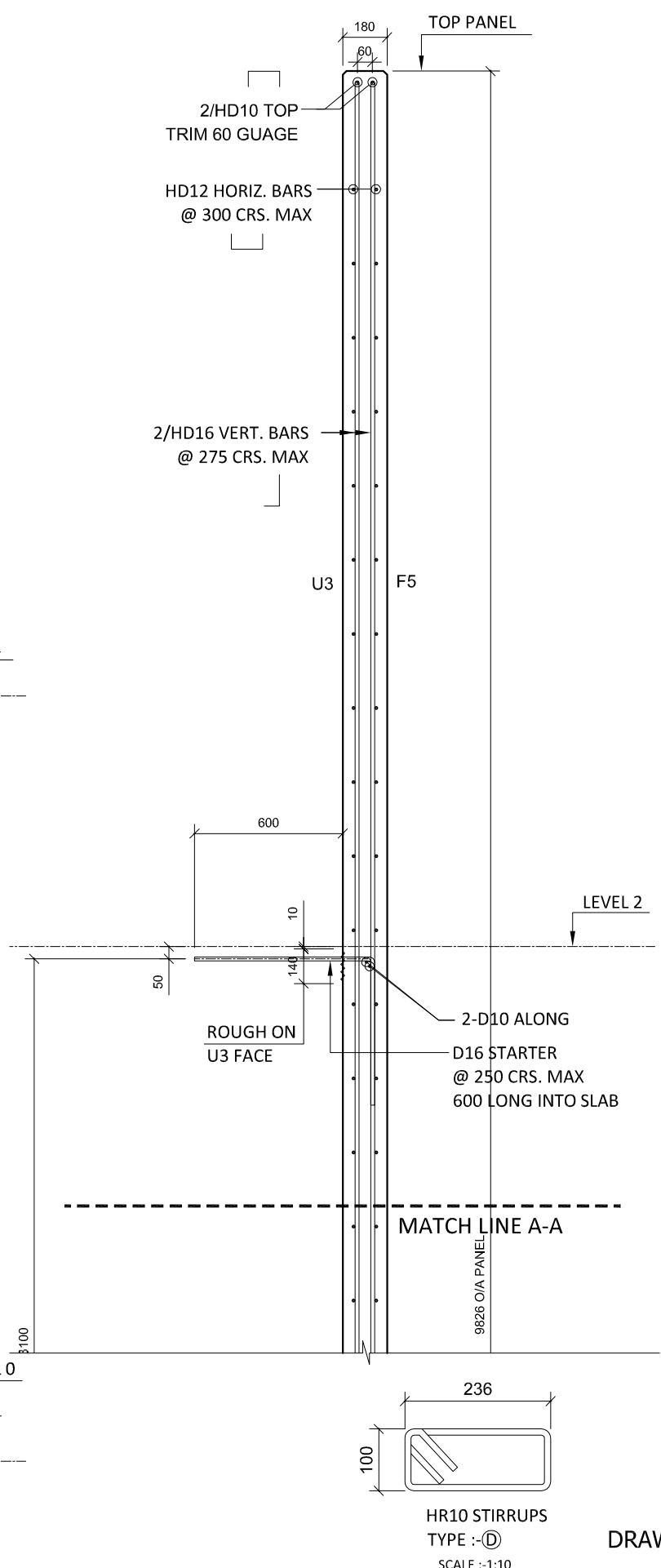
DRAWING TO BE READ IN CONJUNCTION WITH P14/2 & PC08

Contractor	Job	Title	COPYRIGHT RESERVED	Drawn	SS	Date	27/02/18	Job No.	J665
	1550 GREAT NORTH ROAD	BLOCK - D, E, F PANEL P14 @ GRID DA, EA, FA		Checked	SP	Scale (A3)	1:25, 1:10	Dwg No.	P14/1

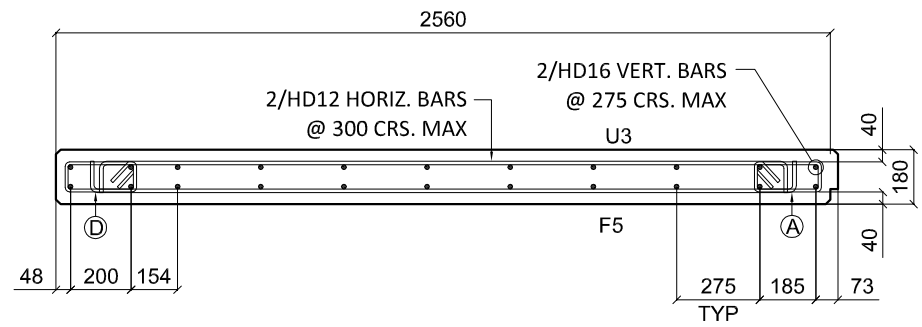




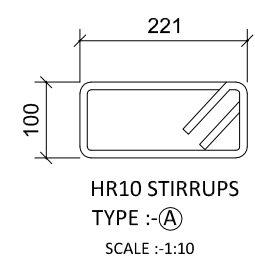
**SECTION Y-Y**  
SCALE :- 1:25



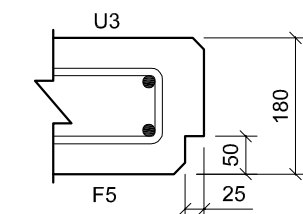
**SECTION A-A**  
SCALE :- 1:25



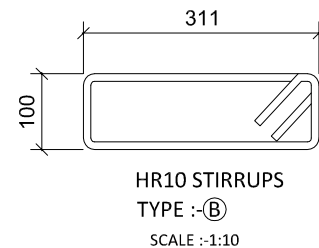
**SECTION B-B**  
SCALE :- 1:25



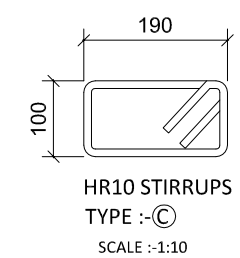
HR10 STIRRUPS  
TYPE :-A  
SCALE :-1:10



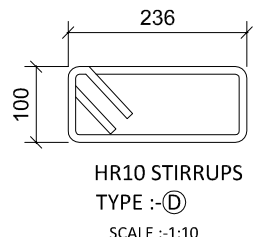
**SECTION C-C**  
SCALE :- 1:10



HR10 STIRRUPS  
TYPE :-B  
SCALE :-1:10



HR10 STIRRUPS  
TYPE :-C  
SCALE :-1:10



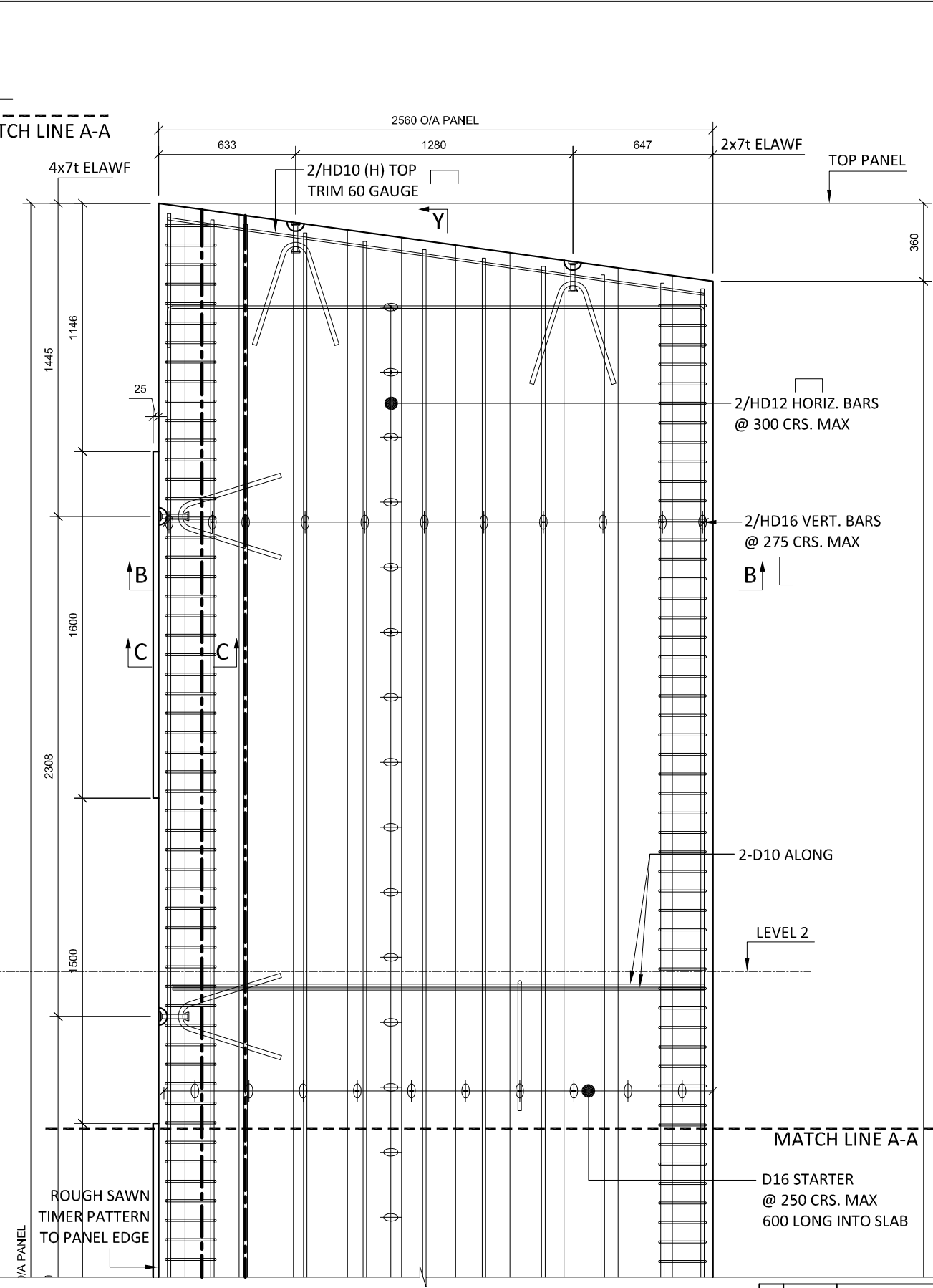
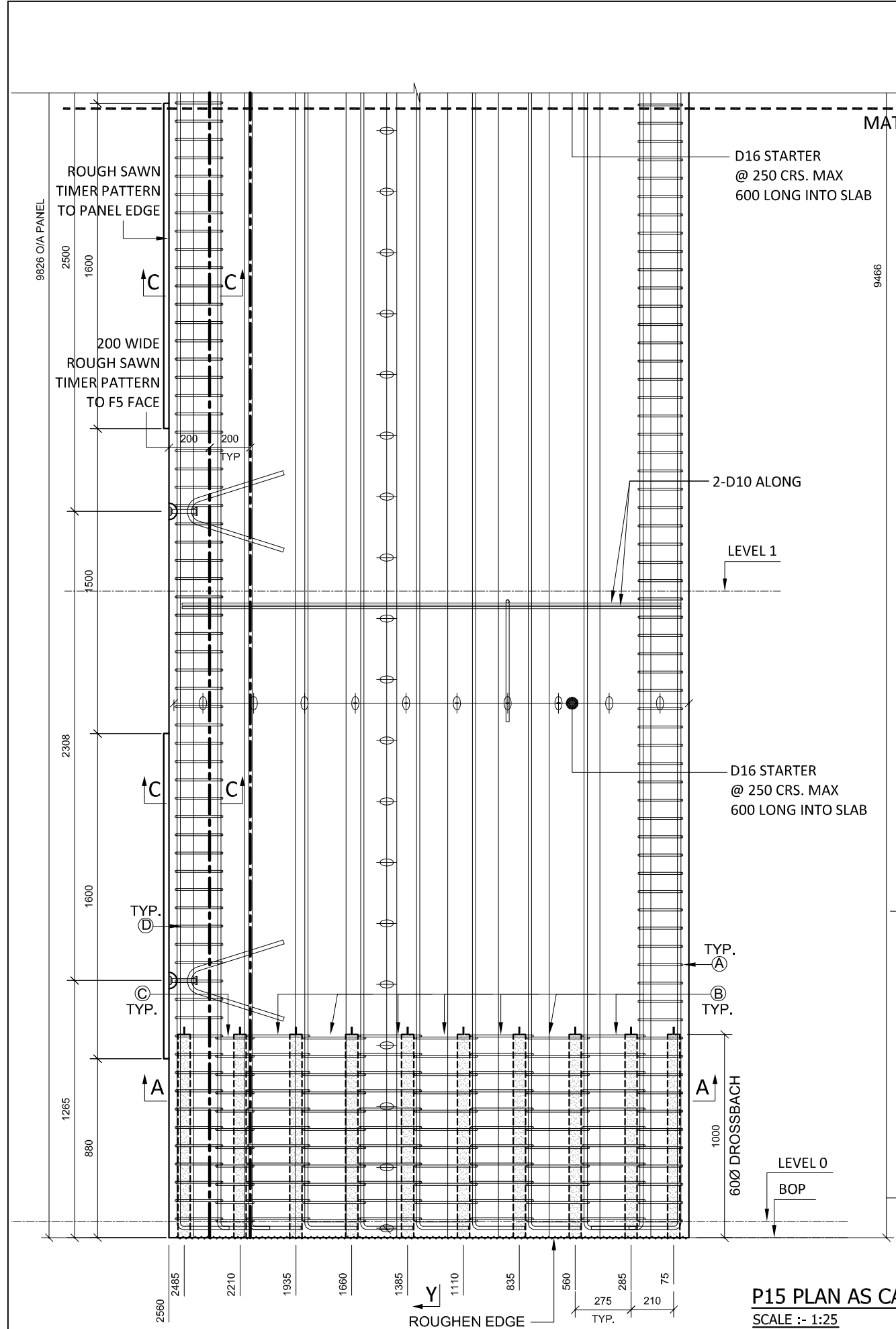
HR10 STIRRUPS  
TYPE :-D  
SCALE :-1:10

DRAWING TO BE READ IN CONJUNCTION WITH P14/1

INSPECTION & TEST PLAN		
INSPECTED BY		
NAME OF FABRICATOR		
UNIT NO.		
CAST DATE		
CAST TIME		
CONCRETE DOCKET NO.		
CONCRETE SPECIF. (MPa)		
ITEM	FABRICATOR INITIAL	APPROVED Y / N
MOULD CLEANLINESS		
RELEASE OIL		
DIMENSIONS		
FORMWORK FIXED		
OPENING / REBATES CORRECT & POSITION		
<b>HOLD POINT</b>		
REINFORCING CORRECT		
LAPS & SPLICES CORRECT		
SPACING & COVER CORRECT		
<b>HOLD POINT</b>		
LIFTERS POSITIONED CORRECTLY		
CAST - IN ITEMS		
STARTERS, LACING BARS		
<b>APPROVED FOR CASTING</b>		
POST POUR INSPECTION		
INSPECTED BY		
DATE		
ITEM		APPROVED Y / N
SWIFTLIFTS POSITION		
SWIFTLIFTS RECESS CLEANED		
CAST-IN ITEMS CLEANED		
CONCRETE FINISH		
LABELLED (NUMBER / DATED)		
DAMAGE (CRACKS / CHIPPING)		
CLEANLINESS		
ANY ACTION REQUIRED:		
ROUGH SAWN TIMBER FINISH		
<b>APPROVED FOR DISPATCH</b>		
SLING ANGLE TO BE NOT LESS THAN 60° TO HORIZONTAL WHEN LIFTING		
40cvr TO ALL EDGES & FACES (UNO)		
CAST IN SUNDRY		
10x60Ø DROSSBACH		
Area (m <sup>2</sup> )	24.69	
Vol (m <sup>3</sup> )	4.44	
Wt. (t)	11.11	
MPa	40MPa	
FINISH	F5/U3 FINISH	
NO: OFF	3	

REV.	DATE	DESCRIPTION	DRAWN	APPROVED
1	22/03/18	ISSUE FOR CONSTRUCTION	SS	

Contractor	Job	Title	COPYRIGHT RESERVED	Drawn	SS	Date	27/02/18	Job No.	J665
	1550 GREAT NORTH ROAD	BLOCK - D, E, F PANEL P14 @ GRID DA, EA, FA		Checked	SP	Scale (A3)	1:25,1:10	Dwg No.	P14/2



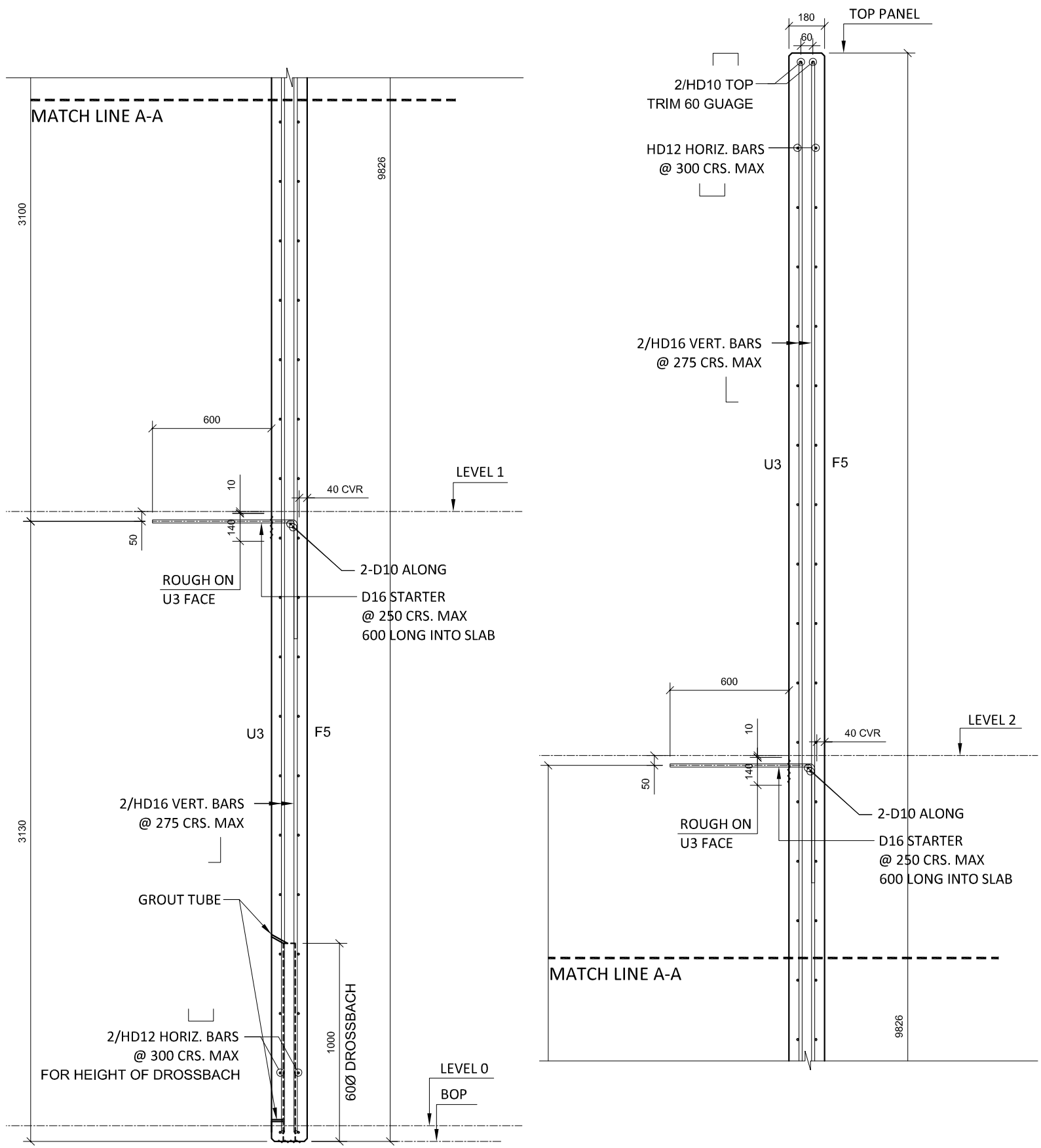
INSPECTION & TEST PLAN		
INSPECTED BY		
NAME OF FABRICATOR		
UNIT NO.		
CAST DATE		
CAST TIME		
CONCRETE DOCKET NO.		
CONCRETE SPECIF. (MPa)		
ITEM	FABRICATOR INITIAL	APPROVED Y / N
MOULD CLEANLINESS		
RELEASE OIL		
DIMENSIONS		
FORMWORK FIXED		
OPENING / REBATES CORRECT & POSITION		
<b>HOLD POINT</b>		
REINFORCING CORRECT		
LAPS & SPLICES CORRECT		
SPACING & COVER CORRECT		
<b>HOLD POINT</b>		
LIFTERS POSITIONED CORRECTLY		
CAST - IN ITEMS		
STARTERS, LACING BARS		
<b>APPROVED FOR CASTING</b>		
POST POUR INSPECTION		
INSPECTED BY		
DATE		
ITEM	APPROVED Y / N	
SWIFTLIFTS POSITION		
SWIFTLIFTS RECESS CLEANED		
CAST-IN ITEMS CLEANED		
CONCRETE FINISH		
LABELLED (NUMBER / DATED)		
DAMAGE (CRACKS / CHIPPING)		
CLEANLINESS		
ANY ACTION REQUIRED:	ROUGH SAWN TIMBER FINISH	
<b>APPROVED FOR DISPATCH</b>		
SLING ANGLE TO BE NOT LESS THAN 60° TO HORIZONTAL WHEN LIFTING		
40cvr TO ALL EDGES & FACES (UNO)		
CAST IN SUNDRY 10x60Ø DROSSBACH		
Area (m <sup>2</sup> )	24.69	
Vol (m <sup>3</sup> )	4.44	
Wt. (t)	11.11	
MPa	40MPa	
FINISH	F5/U3 FINISH	
NO: OFF	3	

**P15 PLAN AS CAST - 180 THK**  
SCALE :- 1:25

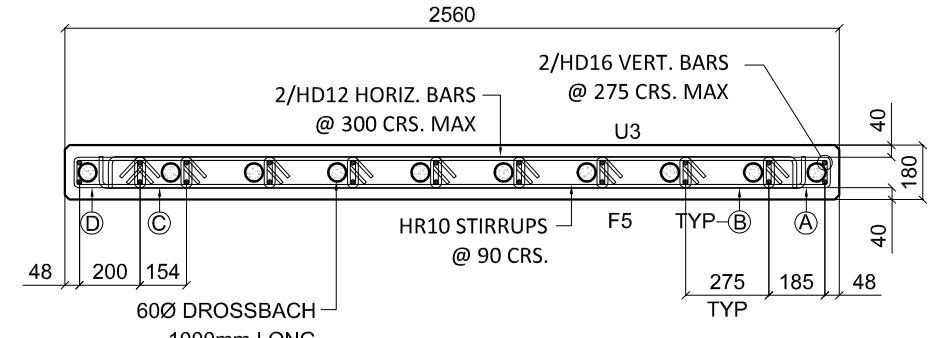
DRAWING TO BE READ IN CONJUNCTION WITH P15/2 & PC08

REV.	DATE	DESCRIPTION	DRAWN	APPROVED
1	22/03/18	ISSUE FOR CONSTRUCTION	SS	

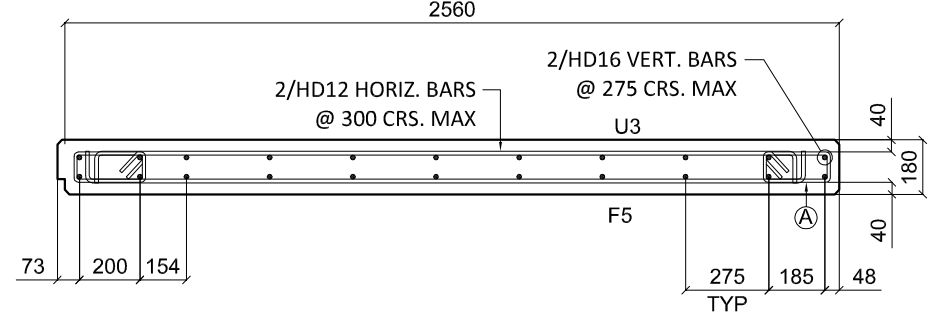
Contractor	Job	Title	COPYRIGHT RESERVED	Drawn	SS	Date	27/02/18	Job No.	J665
	1550 GREAT NORTH ROAD	BLOCK - D, E, F PANEL P15 @ GRID DA, EA, FA		Checked	SP	Scale (A3)	1:25	Dwg No.	P15/1



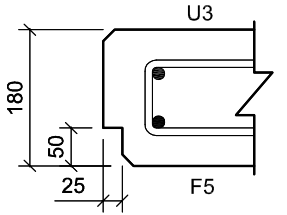
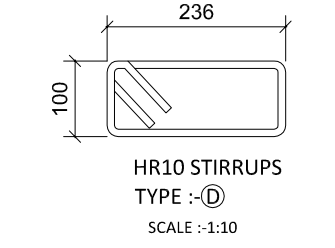
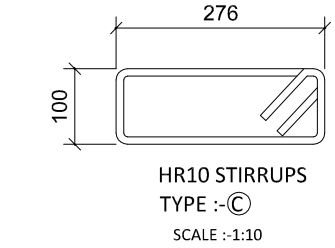
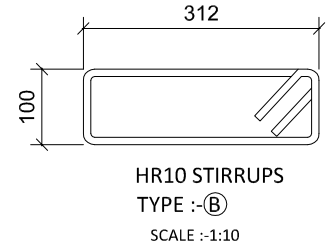
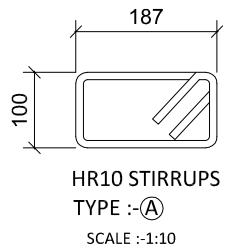
**SECTION Y-Y**  
SCALE :- 1:25



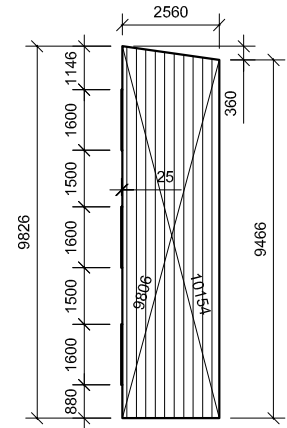
**SECTION A-A**  
SCALE :- 1:25



**SECTION B-B**  
SCALE :- 1:25



**SECTION C-C**  
SCALE :- 1:10

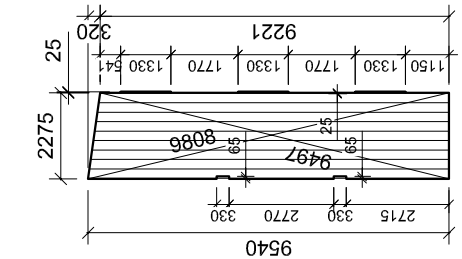
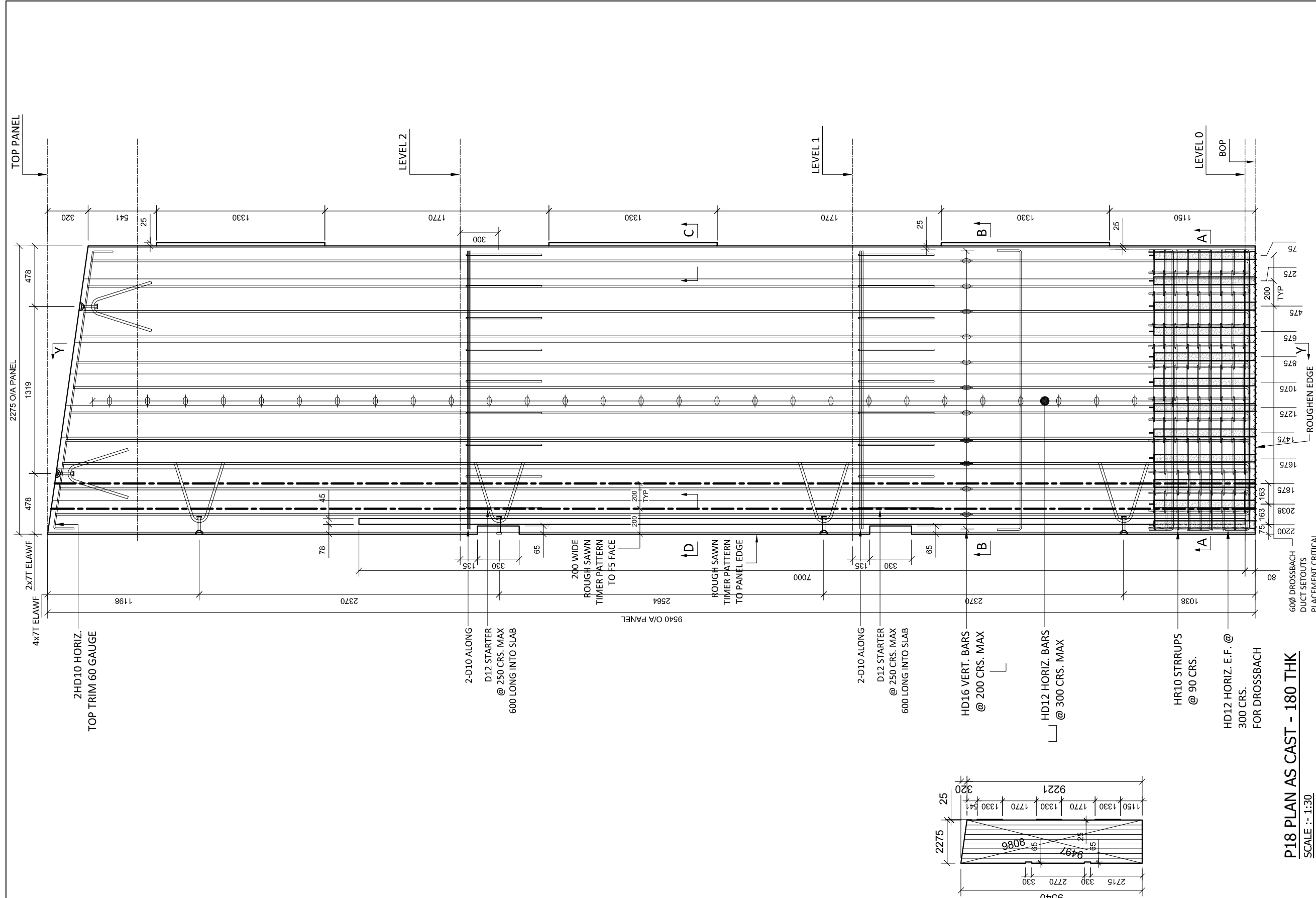


INSPECTION & TEST PLAN		
INSPECTED BY		
NAME OF FABRICATOR		
UNIT NO.		
CAST DATE		
CAST TIME		
CONCRETE DOCKET NO.		
CONCRETE SPECIF. (MPa)		
ITEM	FABRICATOR INITIAL	APPROVED Y / N
MOULD CLEANLINESS		
RELEASE OIL		
DIMENSIONS		
FORMWORK FIXED		
OPENING / REBATES CORRECT & POSITION		
<b>HOLD POINT</b>		
REINFORCING CORRECT		
LAPS & SPLICES CORRECT		
SPACING & COVER CORRECT		
<b>HOLD POINT</b>		
LIFTERS POSITIONED CORRECTLY		
CAST - IN ITEMS		
STARTERS, LACING BARS		
<b>APPROVED FOR CASTING</b>		
POST POUR INSPECTION		
INSPECTED BY		
DATE		
ITEM	APPROVED Y / N	
SWIFTLIFTS POSITION		
SWIFTLIFTS RECESS CLEANED		
CAST-IN ITEMS CLEANED		
CONCRETE FINISH		
LABELLED (NUMBER / DATED)		
DAMAGE (CRACKS / CHIPPING)		
CLEANLINESS		
ANY ACTION REQUIRED:		
ROUGH SAWN TIMBER FINISH		
<b>APPROVED FOR DISPATCH</b>		
SLING ANGLE TO BE NOT LESS THAN 60° TO HORIZONTAL WHEN LIFTING		
40cvr TO ALL EDGES & FACES (UNO)		
<b>CAST IN SUNDRY</b>		
10x60Ø DROSSBACH		
Area (m <sup>2</sup> )	24.69	
Vol (m <sup>3</sup> )	4.44	
Wt. (t)	11.11	
MPa	40MPa	
FINISH	F5/U3 FINISH	
NO: OFF	3	

REV.	DATE	DESCRIPTION	DRAWN	APPROVED
1	22/03/18	ISSUE FOR CONSTRUCTION	SS	

DRAWING TO BE READ IN CONJUNCTION WITH P15/1

Contractor	Job	1550 GREAT NORTH ROAD	Title	BLOCK - D, E, F PANEL P15 @ GRID DA, EA, FA	COPYRIGHT RESERVED	Drawn	SS	Date	27/02/18	Job No.	J665
						Checked	SP	Scale (A3)	1:25, 1:10		



INSPECTION & TEST PLAN	
INSPECTED BY	
NAME OF FABRICATOR	
UNIT NO.	
CAST DATE	
CAST TIME	
CONCRETE DOCKET NO.	
CONCRETE SPECIF. (MPa)	

ITEM	FABRICATOR INITIAL	APPROVED Y/N
MOULD CLEANLINESS		
RELEASE OIL		
DIMENSIONS		
FORMWORK FIXED		
OPENING / REBATES CORRECT & POSITION		
<b>HOLD POINT</b>		
REINFORCING CORRECT		
LAPS & SPLICES CORRECT		
SPACING & COVER CORRECT		
<b>HOLD POINT</b>		
LIFTERS POSITIONED CORRECTLY		
CAST - IN ITEMS		
STARTERS, LACING BARS		
<b>APPROVED FOR CASTING</b>		

POST POUR INSPECTION	
INSPECTED BY	
DATE	

ITEM	APPROVED Y/N
SWIFTLIFTS POSITION	
SWIFTLIFTS RECESS CLEANED	
CAST-IN ITEMS CLEANED	
CONCRETE FINISH	
LABELLED (NUMBER / DATED)	
DAMAGE (CRACKS / CHIPPING)	
CLEANLINESS	

ANY ACTION REQUIRED:	
ROUGH SAWN TIMBER FINISH	

**APPROVED FOR DISPATCH**

SLING ANGLE TO BE NOT LESS THAN 60° TO HORIZONTAL WHEN LIFTING

40cvr TO ALL EDGES & FACES (UNO)

CAST IN SUNDRY  
12x60 Ø DROSSBACH

Area (m <sup>2</sup> )	21.34
Vol (m <sup>3</sup> )	3.84
Wt. (t)	9.60
MPa	40MPa
FINISH	F5/U3 FINISH
NO: OFF	2

**P18 PLAN AS CAST - 180 THK**  
SCALE :- 1:30

ROUGH SAWN TIMBER FINISH

DRAWING TO BE READ IN CONJUNCTION WITH P18/2 & PC10

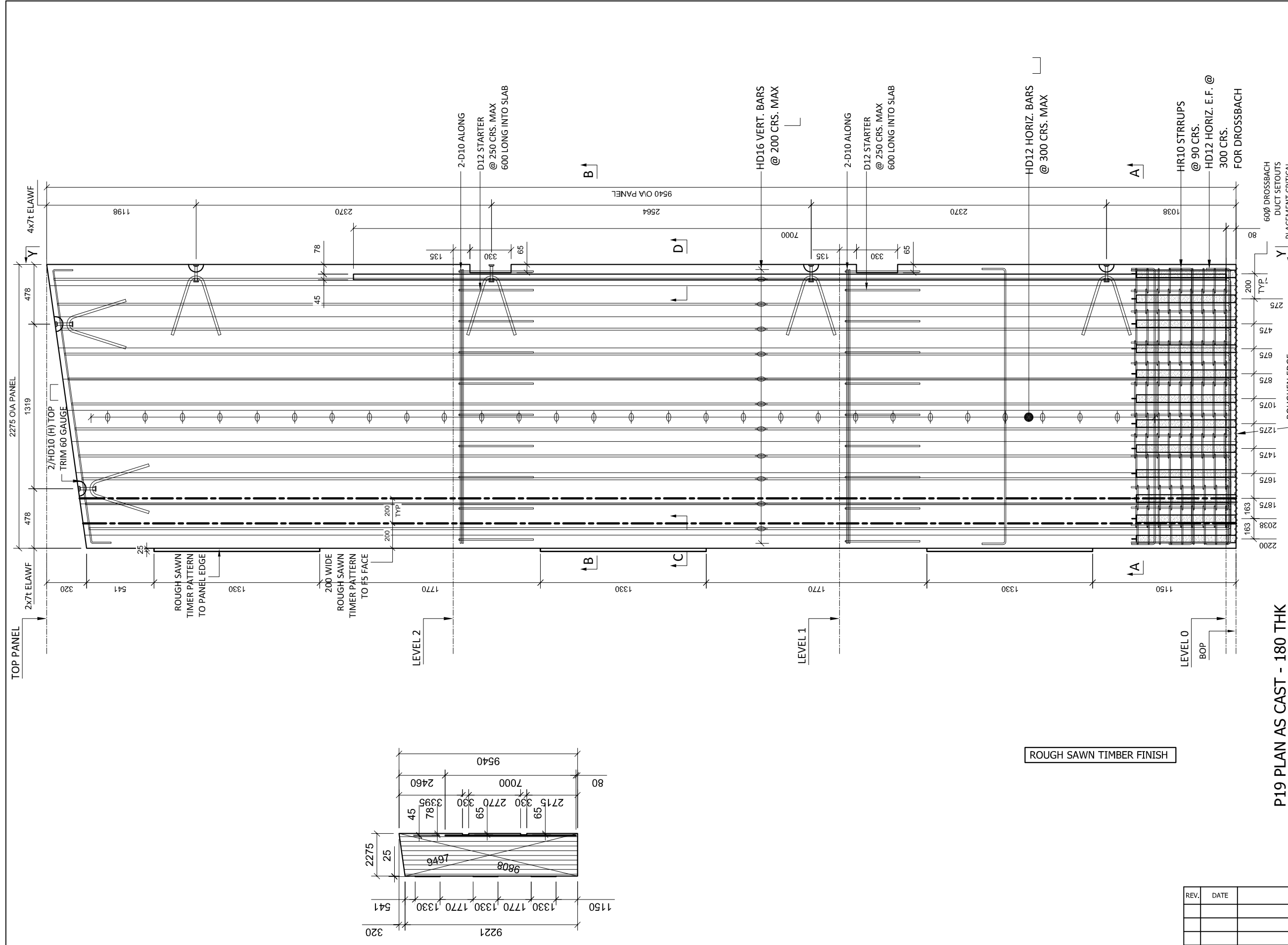
REV.	DATE	DESCRIPTION	DRAWN	APPROVED
1	22/03/18	ISSUE FOR CONSTRUCTION	NS	

Contractor	Job	Title	Drawn	NS	Date	27/02/18	Job No.	J665
	1550 GREAT NORTH ROAD	BLOCK - D & F PANEL P18 @ GRID DC & FC	Checked	SP	Scale (A3)	1:30 1:200	Dwg No.	P18/1
								1
								REV.

COPYRIGHT RESERVED





INSPECTION & TEST PLAN		
INSPECTED BY		
NAME OF FABRICATOR		
UNIT NO.		
CAST DATE		
CAST TIME		
CONCRETE DOCKET NO.		
CONCRETE SPECIF. (MPa)		

ITEM	FABRICATOR INITIAL	APPROVED Y / N
MOULD CLEANLINESS		
RELEASE OIL		
DIMENSIONS		
FORMWORK FIXED		
OPENING / REBATES CORRECT & POSITION		
<b>HOLD POINT</b>		
REINFORCING CORRECT		
LAPS & SPLICES CORRECT		
SPACING & COVER CORRECT		
<b>HOLD POINT</b>		
LIFTERS POSITIONED CORRECTLY		
CAST - IN ITEMS		
STARTERS, LACING BARS		
<b>APPROVED FOR CASTING</b>		

POST POUR INSPECTION	
INSPECTED BY	
DATE	

ITEM	APPROVED Y / N
SWIFTLIFTS POSITION	
SWIFTLIFTS RECESS CLEANED	
CAST-IN ITEMS CLEANED	
CONCRETE FINISH	
LABELLED (NUMBER / DATED)	
DAMAGE (CRACKS / CHIPPING)	
CLEANLINESS	

ANY ACTION REQUIRED:  
ROUGH SAWN TIMBER FINISH

**APPROVED FOR DISPATCH**

SLING ANGLE TO BE NOT LESS THAN 60° TO HORIZONTAL WHEN LIFTING

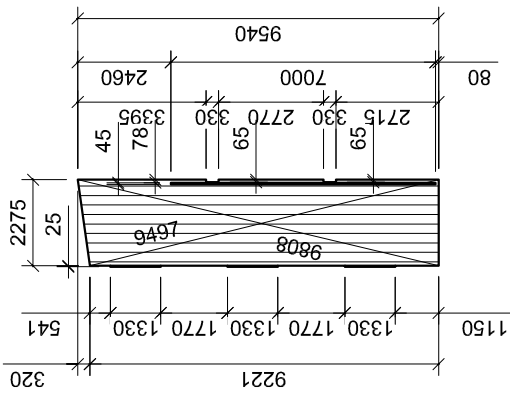
40cvr TO ALL EDGES & FACES (UNO)

**CAST IN SUNDRY**  
12x60φ DROSSBACH

Area (m <sup>2</sup> )	21.34
Vol (m <sup>3</sup> )	3.84
Wt. (t)	9.60
MPa	40MPa
FINISH	F5/U3 FINISH
NO: OFF	3

P19 PLAN AS CAST - 180 THK  
SCALE :- 1:30

ROUGH SAWN TIMBER FINISH

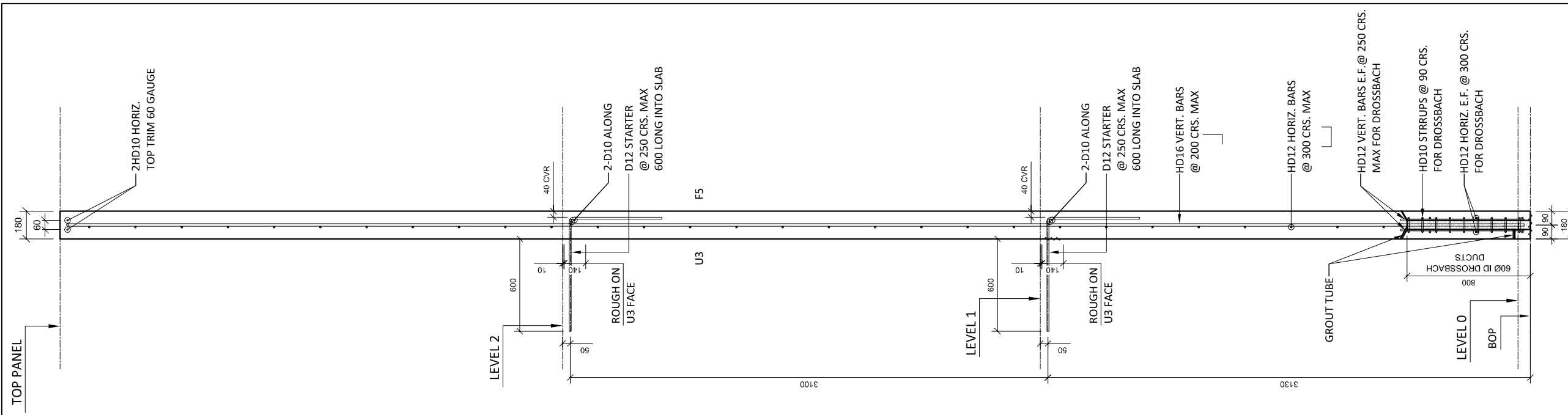


DRAWING TO BE READ IN CONJUNCTION WITH P19/2 & PC10

REV.	DATE	DESCRIPTION	DRAWN	APPROVED
1	22/03/18	ISSUE FOR CONSTRUCTION	NS	

COPYRIGHT RESERVED	Drawn	NS	Date	28/02/18	Job No.	J665
	Checked	SP	Scale (A3)	1:30	Dwg No.	P19/1

Contractor	Job	Title
	1550 GREAT NORTH ROAD	BLOCK - D, E & F PANEL P19 @ GRID DC, EC & FC



**SECTION Y-Y**  
SCALE :- 1:30

INSPECTION & TEST PLAN	
INSPECTED BY	
NAME OF FABRICATOR	
UNIT NO.	
CAST DATE	
CAST TIME	
CONCRETE DOCKET NO.	
CONCRETE SPECIF. (MPa)	

ITEM	FABRICATOR INITIAL	APPROVED Y / N
MOULD CLEANLINESS		
RELEASE OIL		
DIMENSIONS		
FORMWORK FIXED		
OPENING / REBATES CORRECT & POSITION		
<b>HOLD POINT</b>		
REINFORCING CORRECT		
LAPS & SPLICES CORRECT		
SPACING & COVER CORRECT		
<b>HOLD POINT</b>		
LIFTERS POSITIONED CORRECTLY		
CAST - IN ITEMS		
STARTERS, LACING BARS		
<b>APPROVED FOR CASTING</b>		

POST POUR INSPECTION	
INSPECTED BY	
DATE	

ITEM	APPROVED Y / N
SWIFTLIFTS POSITION	
SWIFTLIFTS RECESS CLEANED	
CAST-IN ITEMS CLEANED	
CONCRETE FINISH	
LABELLED (NUMBER / DATED)	
DAMAGE (CRACKS / CHIPPING)	
CLEANLINESS	

ANY ACTION REQUIRED:

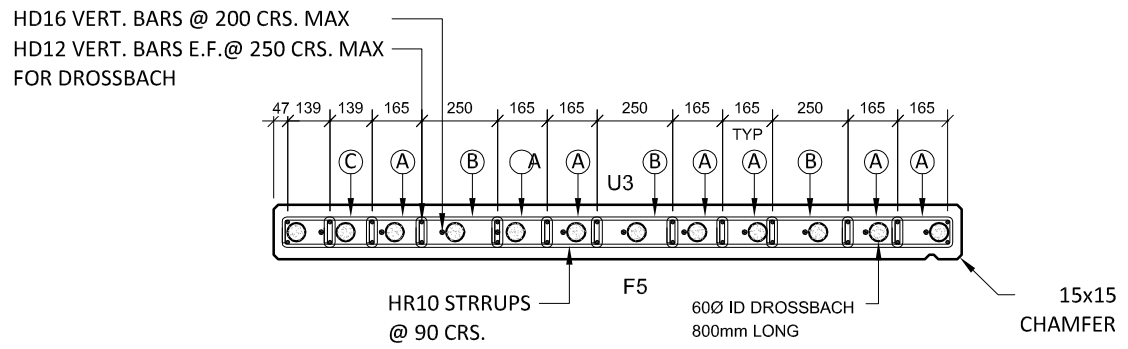
**APPROVED FOR DISPATCH**

SLING ANGLE TO BE NOT LESS THAN 60° TO HORIZONTAL WHEN LIFTING

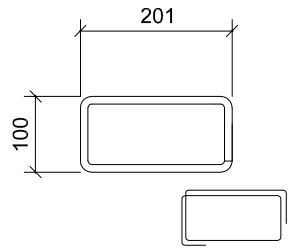
40cvr TO ALL EDGES & FACES (UNO)

**CAST IN SUNDRY**  
12x60φ DROSSBACH

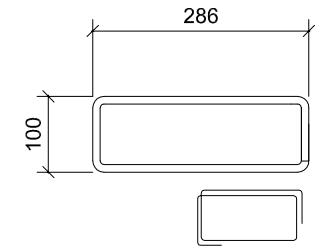
Area (m <sup>2</sup> )	21.34
Vol (m <sup>3</sup> )	3.84
Wt. (t)	9.60
MPa	40MPa
FINISH	F5/U3 FINISH
NO: OFF	3



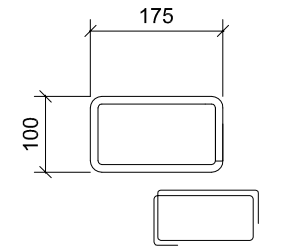
**SECTION A-A**  
SCALE :- 1:25



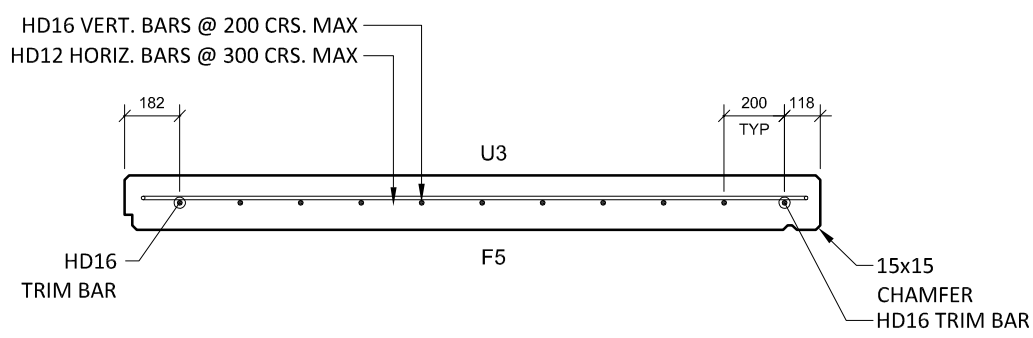
**HR10 STIRRUPS**  
TYPE :- A  
SCALE :- 1:10



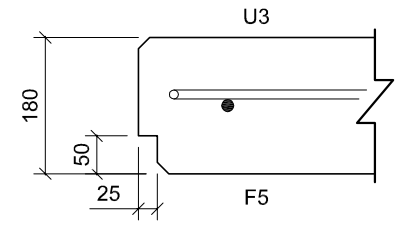
**HR10 STIRRUPS**  
TYPE :- B  
SCALE :- 1:10



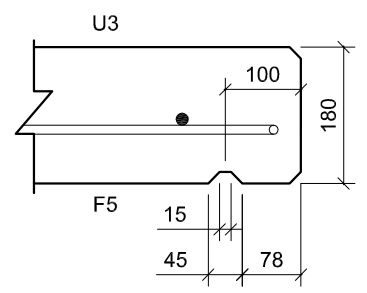
**HR10 STIRRUPS**  
TYPE :- C  
SCALE :- 1:10



**SECTION B-B**  
SCALE :- 1:25



**SECTION C-C**  
SCALE :- 1:10



**SECTION D-D**  
SCALE :- 1:10

DRAWING TO BE READ IN CONJUNCTION WITH P19/1

REV.	DATE	DESCRIPTION	DRAWN	APPROVED
1	22/03/18	ISSUE FOR CONSTRUCTION	NS	

Contractor	Job	Title	Drawn	NS	Date	28/02/18	Job No.	J665
	1550 GREAT NORTH ROAD	BLOCK - D, E & F PANEL P19 @ GRID DC, EC & FC	Checked	SP	Scale (A3)	1:30, 25 1:10	Dwg No.	P19/2
								1 REV.

COPYRIGHT RESERVED

**INSPECTION & TEST PLAN**

INSPECTED BY	
NAME OF FABRICATOR	
UNIT NO.	
CAST DATE	
CAST TIME	
CONCRETE DOCKET NO.	
CONCRETE SPECIF. (MPa)	

ITEM	FABRICATOR INITIAL	APPROVED Y / N
MOULD CLEANLINESS		
RELEASE OIL		
DIMENSIONS		
FORMWORK FIXED		
OPENING / REBATES CORRECT & POSITION		
<b>HOLD POINT</b>		
REINFORCING CORRECT		
LAPS & SPLICES CORRECT		
SPACING & COVER CORRECT		
<b>HOLD POINT</b>		
LIFTERS POSITIONED CORRECTLY		
CAST - IN ITEMS		
STARTERS, LACING BARS		
<b>APPROVED FOR CASTING</b>		

<b>POST POUR INSPECTION</b>	
INSPECTED BY	
DATE	

ITEM	APPROVED Y / N
SWIFTLIFTS POSITION	
SWIFTLIFTS RECESS CLEANED	
CAST-IN ITEMS CLEANED	
CONCRETE FINISH	
LABELLED (NUMBER / DATED)	
DAMAGE (CRACKS / CHIPPING)	
CLEANLINESS	

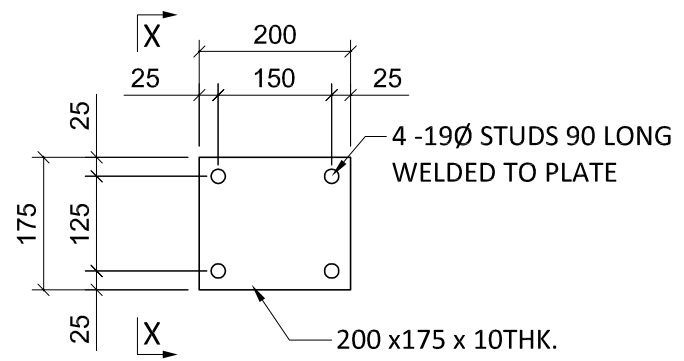
ANY ACTION REQUIRED:	
<b>APPROVED FOR DISPATCH</b>	

SLING ANGLE TO BE NOT LESS THAN 60° TO HORIZONTAL WHEN LIFTING

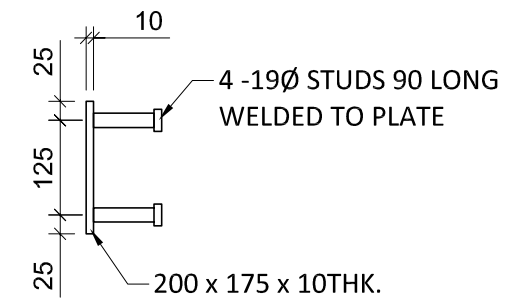
40cvt TO ALL EDGES & FACES (UNO)

**CAST IN SUNDRY**  
4xEP-2 (EMBED PLATE)

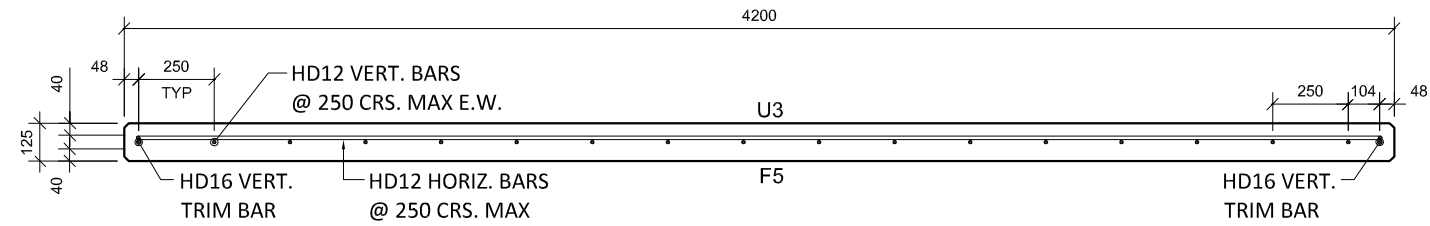
Area (m <sup>2</sup> )	6.43
Vol (m <sup>3</sup> )	0.80
Wt. (t)	2.01
MPa	40MPa
FINISH	F5/U3 FINISH
NO: OFF	2 x 3



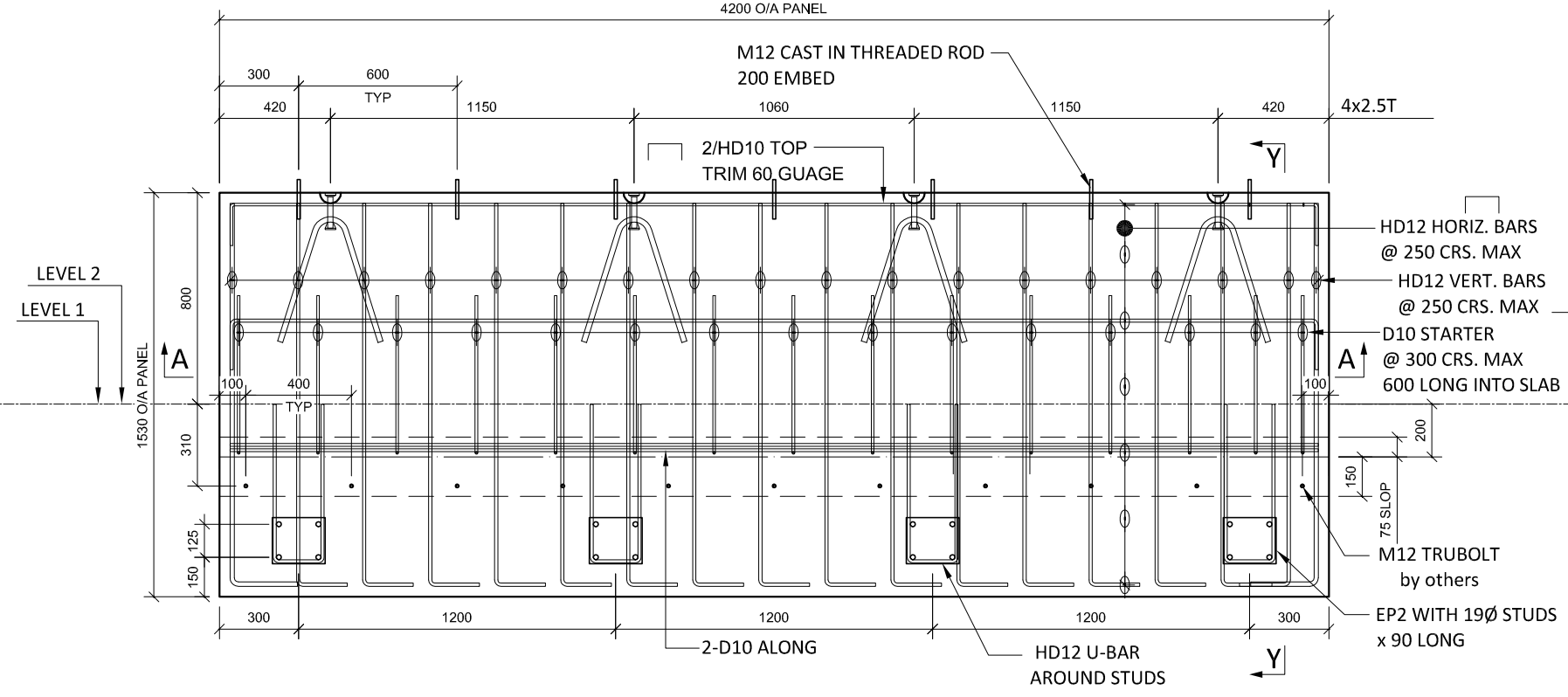
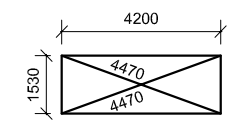
**EP2**  
SCALE :- 1:10



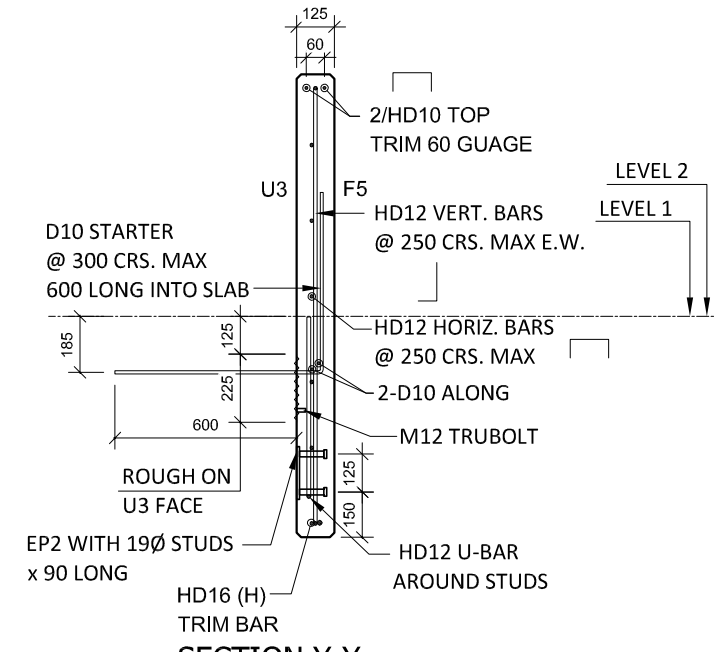
**SECTION :- X - X**  
SCALE 1:10



**SECTION A-A**  
SCALE :- 1:25



**P20 PLAN AS CAST - 125 THK**  
SCALE :- 1:25



**SECTION Y-Y**  
SCALE :- 1:25

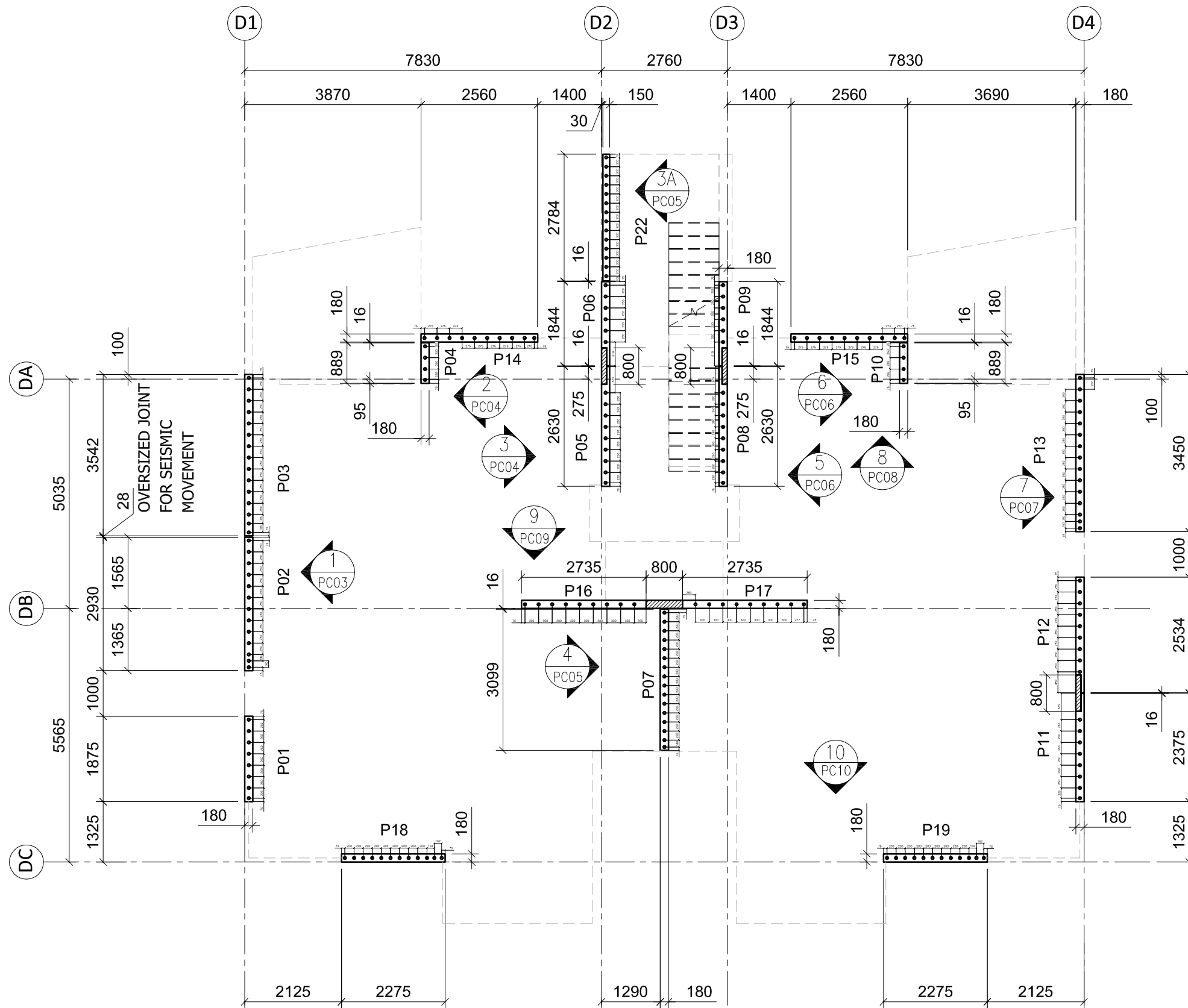
DRAWING TO BE READ IN PC11

REV.	DATE	DESCRIPTION	DRAWN	APPROVED
1	22/03/18	ISSUE FOR CONSTRUCTION	SS	

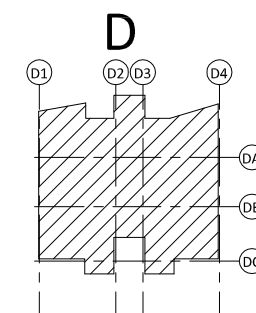
Contractor	Job	Title	Drawn	SS	Date	01/03/18	Job No.	J665
	1550 GREAT NORTH ROAD	BLOCK - D, E, F PANEL P20 @ GRID - D/E/F1 - D/E/F2	Checked	SP	Scale (A3)	1:25,1:10	Dwg No.	P20
								1 REV.

COPYRIGHT RESERVED





**PRECAST PANEL PLAN**



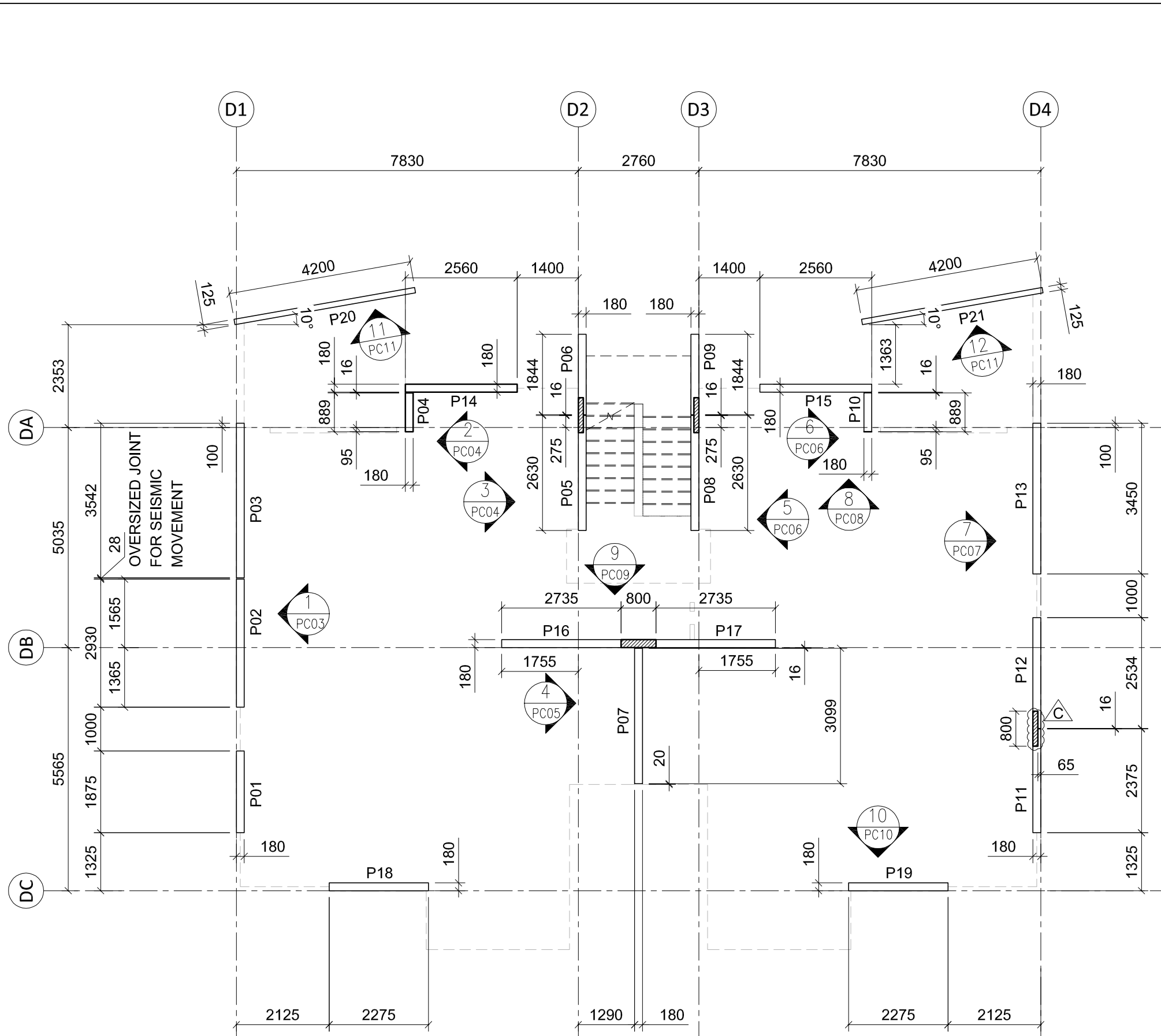
**KEY PLAN**

REV.	DATE	DESCRIPTION	DRAWN	APPROVED
1	22/03/18	ISSUE FOR CONSTRUCTION	NS	

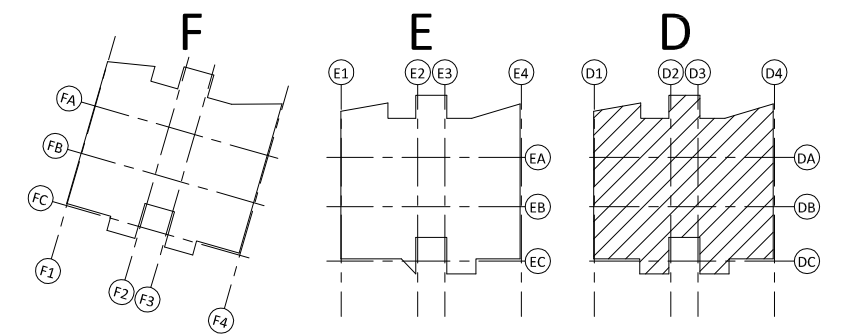
Contractor	Job	Title
	1550 GREAT NORTH ROAD	PRECAST PANEL PLAN AT LEVEL 0 BLOCK-D

COPYRIGHT  
RESERVED

Drawn	NS	Date	15/02/18	Job No.	J665
Checked	HP	Scale (A3)	1:100	Dwg No.	PC01
				REV.	1



**PRECAST PANEL PLAN**

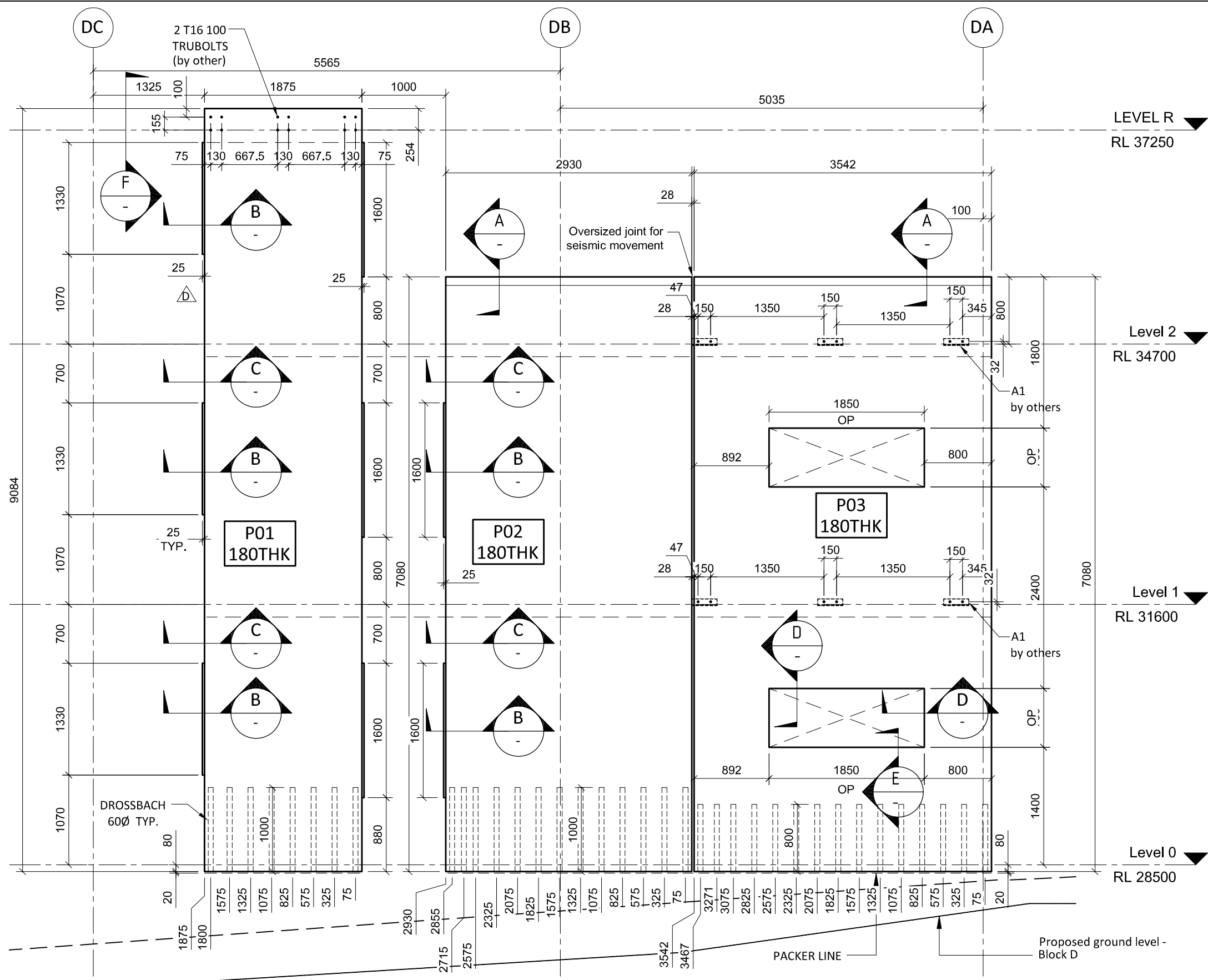


**KEY PLAN**

REV.	DATE	DESCRIPTION	DRAWN	APPROVED
1	22/03/18	ISSUE FOR CONSTRUCTION	NS	

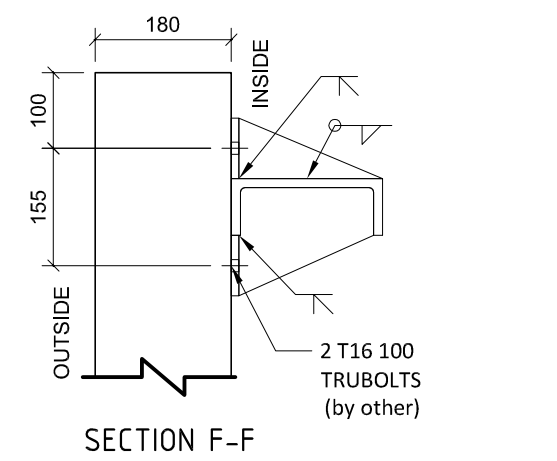
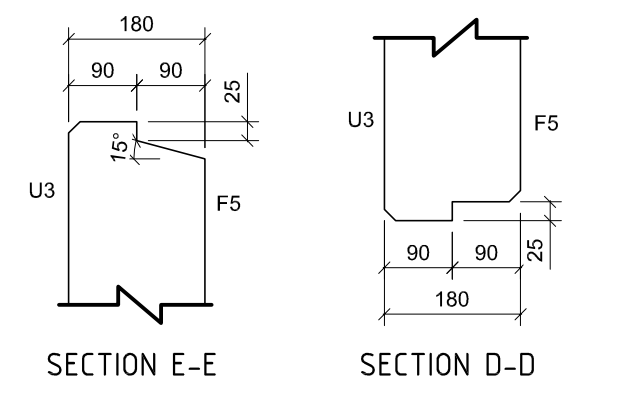
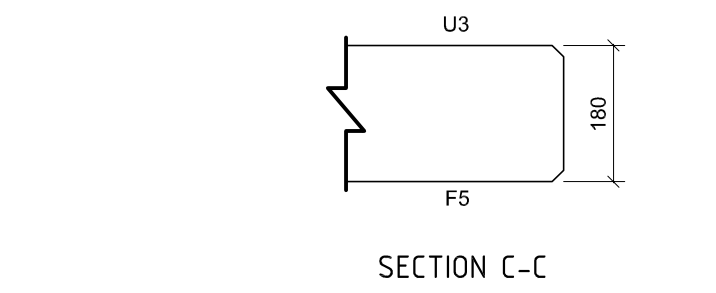
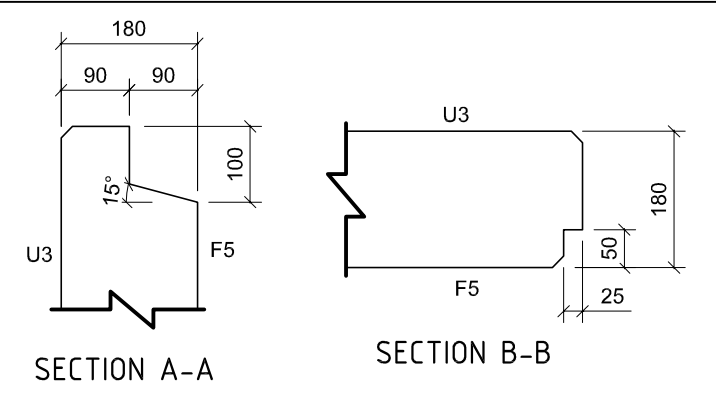
Contractor	Job	Title
	1550 GREAT NORTH ROAD	PANEL LAYOUT PLAN AT LEVEL 1 & 2 BLOCK-D

COPYRIGHT RESERVED	Drawn	NS	Date	15/02/18	Job No. <b>J665</b>
	Checked	HP	Scale (A3)	1:100	



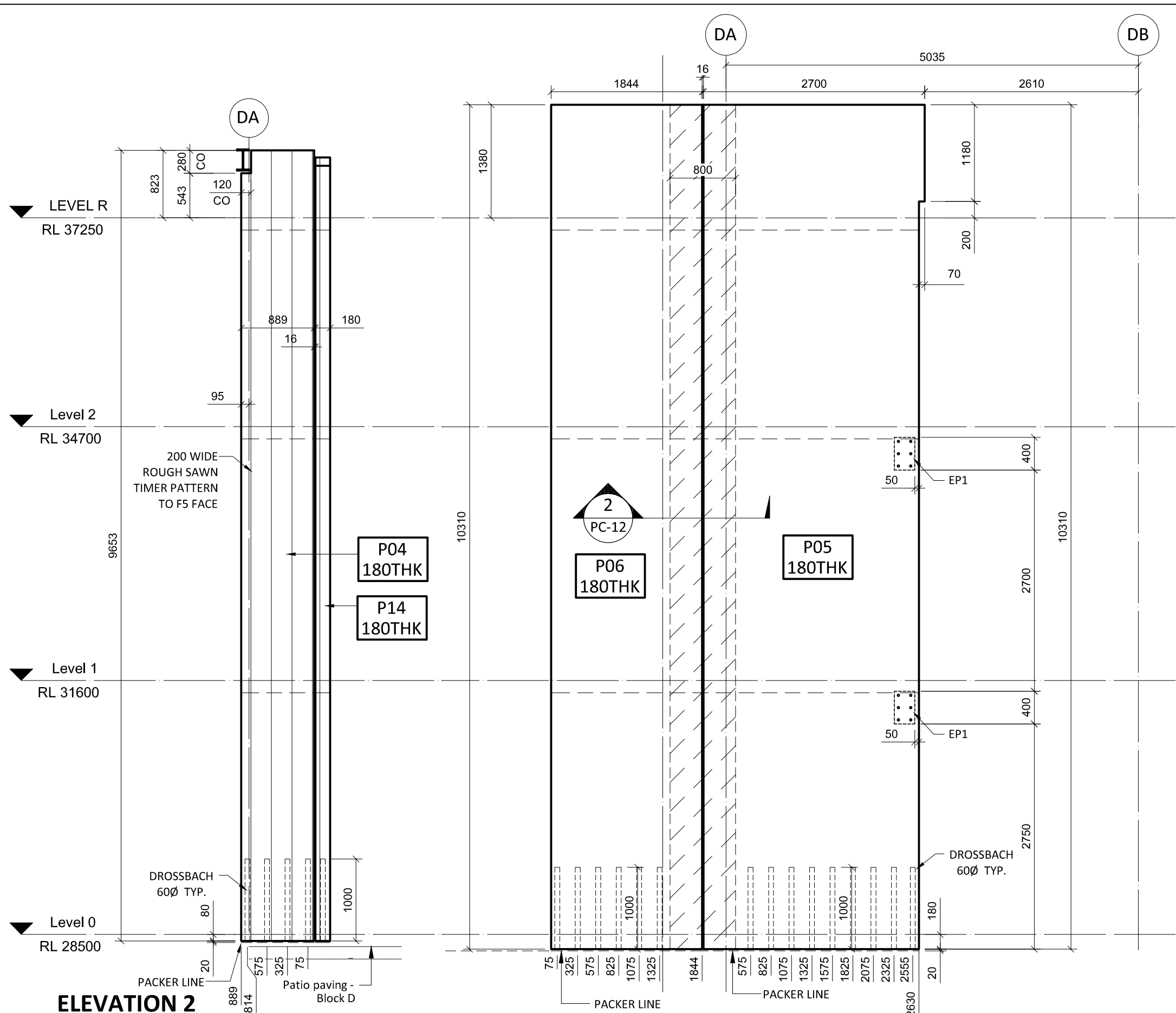
**ELEVATION 1**

LEGEND :  
OP = OPENING



REV.	DATE	DESCRIPTION	DRAWN	APPROVED
1	22/03/18	ISSUE FOR CONSTRUCTION	SS	

Contractor		Job		Title		COPYRIGHT RESERVED	Drawn	SS	Date	17/02/18	Job No.	J665
1550 GREAT NORTH ROAD		BLOCK - D PANEL ELEVATION - 1		Checked	SP							



LEGEND :  
CO = CUT OUT

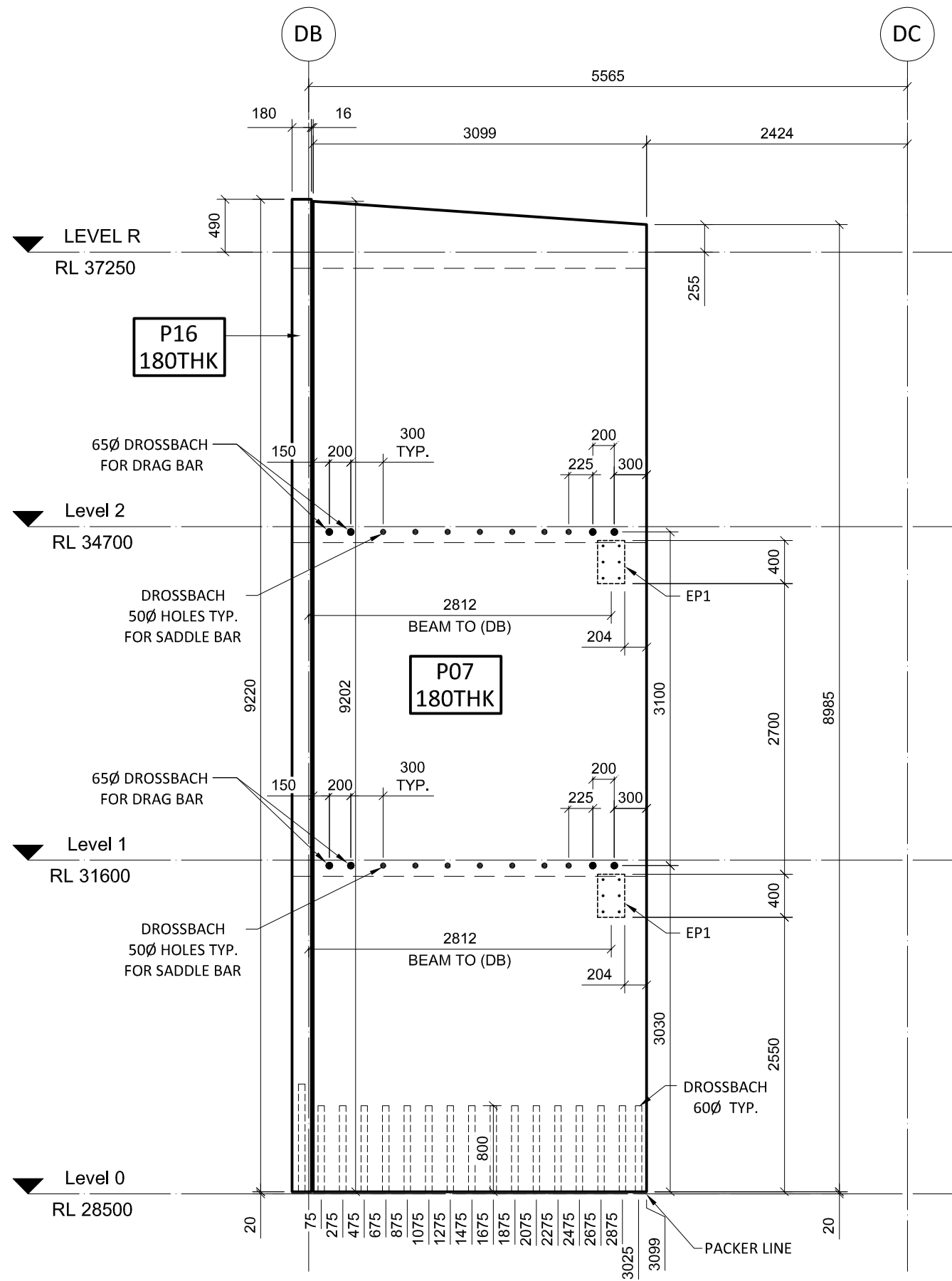
REV.	DATE	DESCRIPTION	DRAWN	APPROVED
1	22/03/18	ISSUE FOR CONSTRUCTION	SS	

Contractor	Job	Title
	1550 GREAT NORTH ROAD	BLOCK - D PANEL ELEVATION - 2 & 3

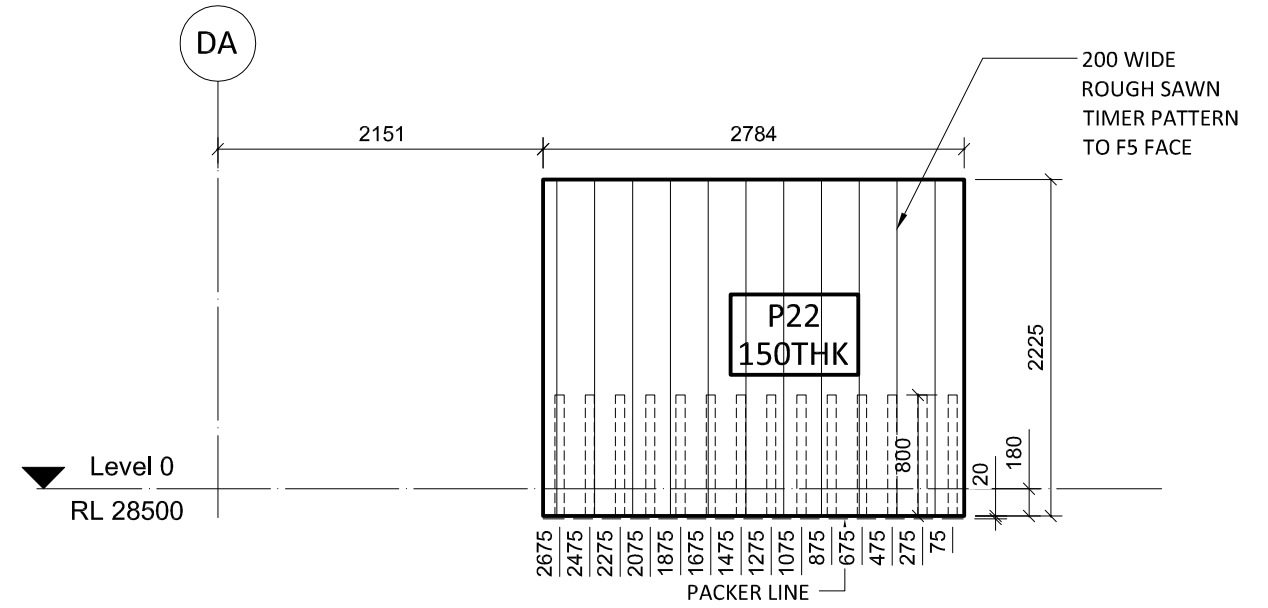
COPYRIGHT RESERVED	Drawn	SS	Date	17/02/18	Job No. <b>J665</b>
	Checked	SP	Scale (A3)	1:50	
					Dwg No. <b>PC04</b> 1 REV.

**ELEVATION 2**

**ELEVATION 3**



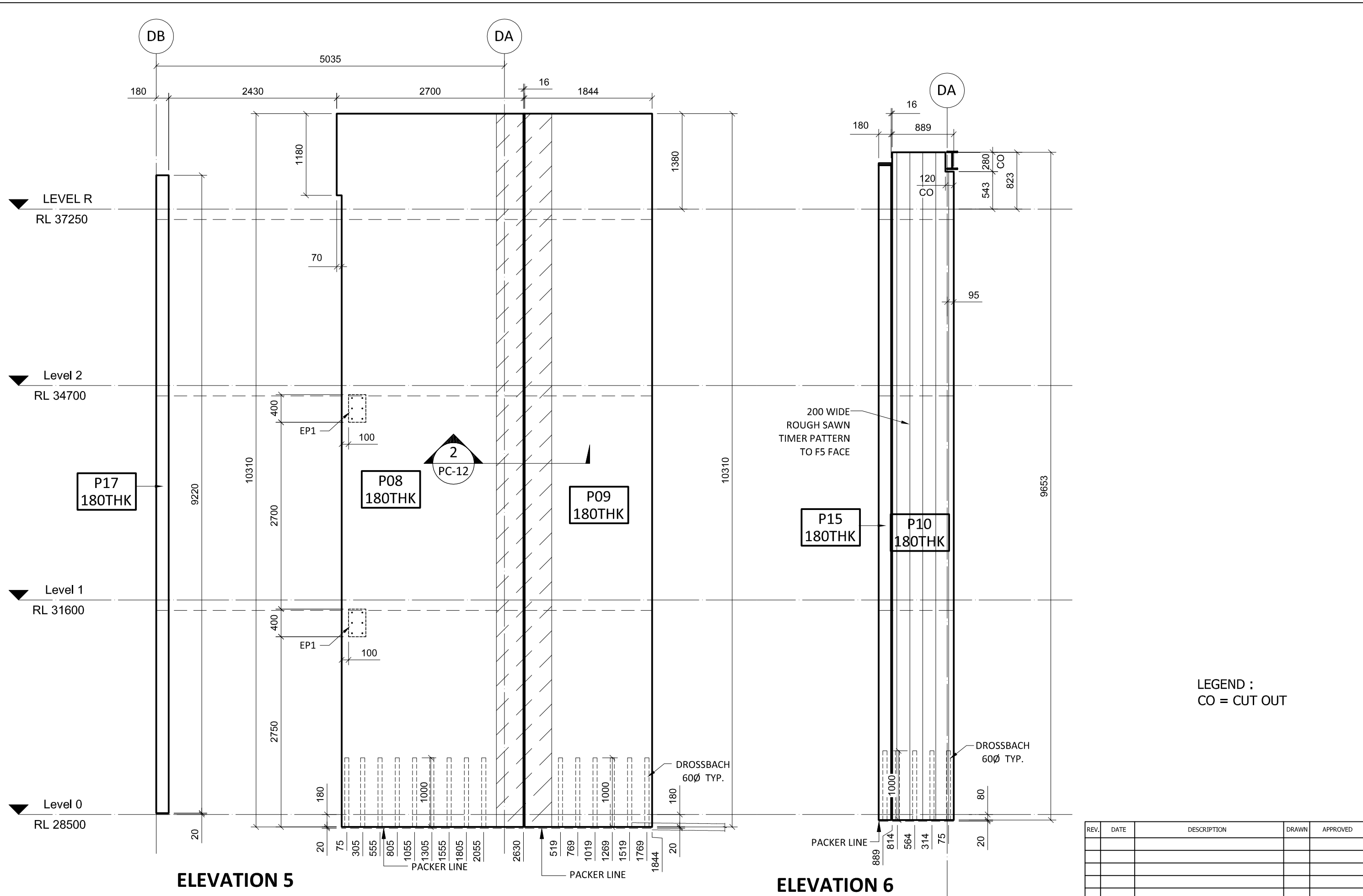
**ELEVATION 4**



**ELEVATION 3A**

REV.	DATE	DESCRIPTION	DRAWN	APPROVED
1	22/03/18	ISSUE FOR CONSTRUCTION	NS	

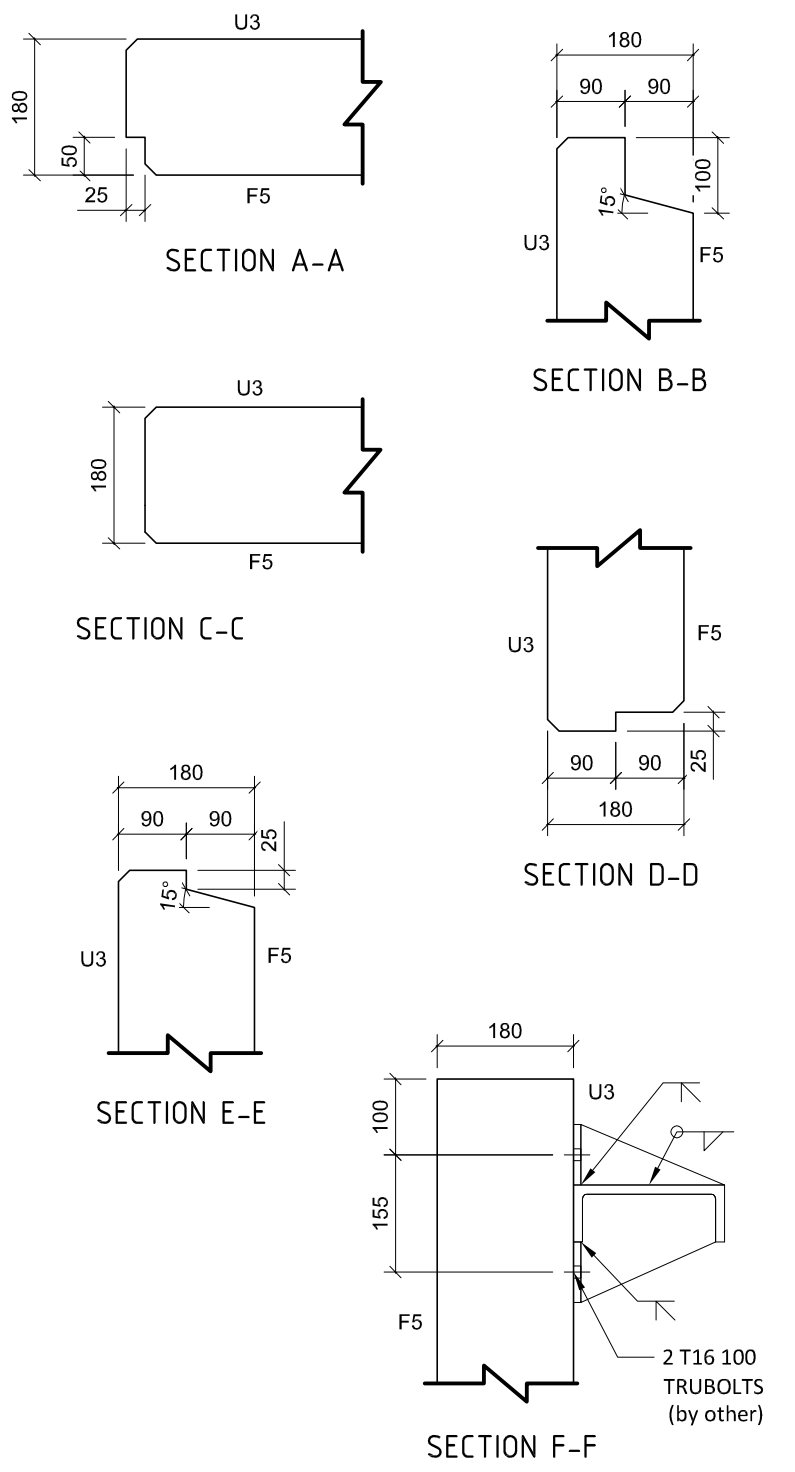
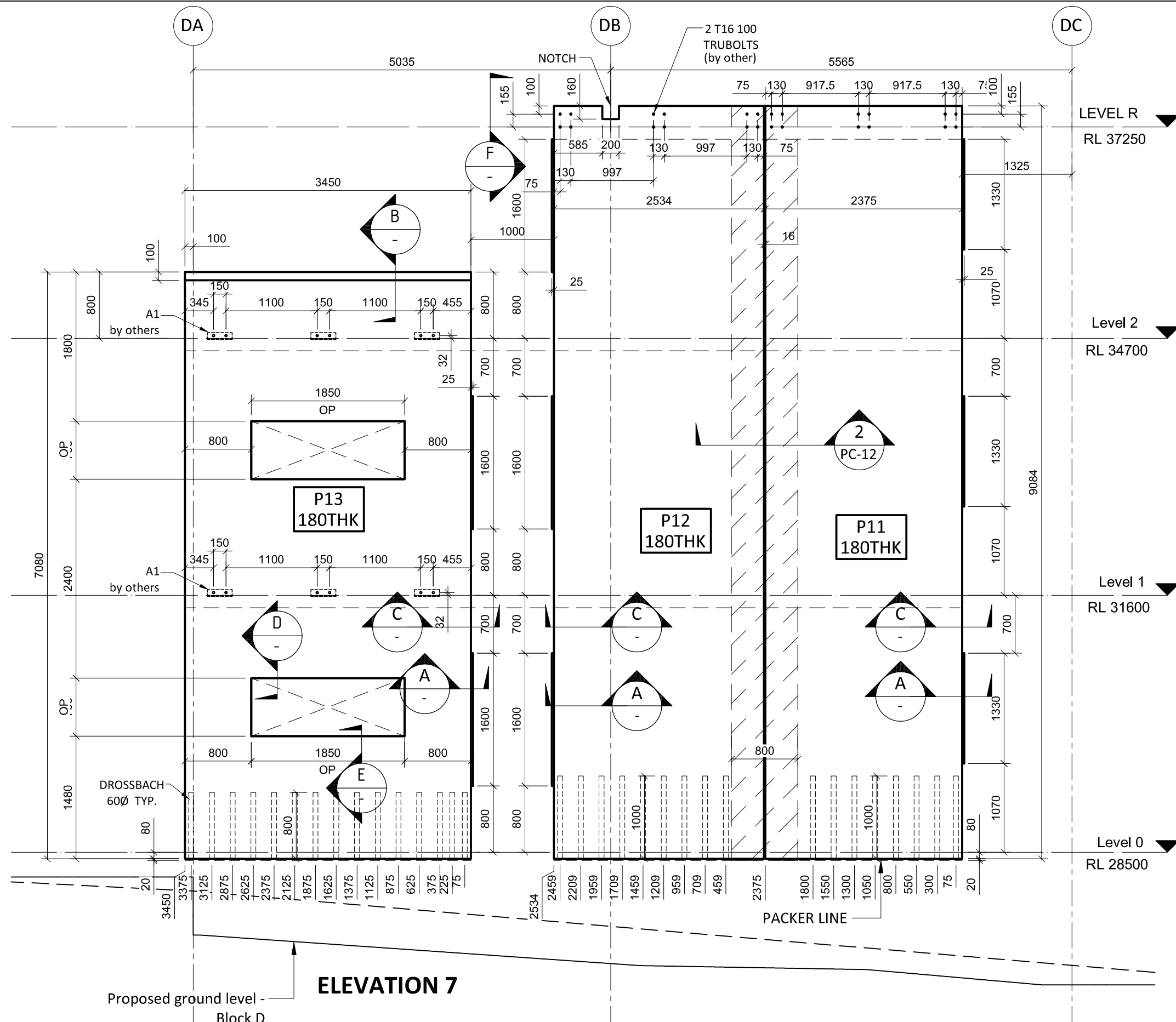
Contractor	Job	Title	COPYRIGHT RESERVED	Drawn	SS	Date	17/02/18	Job No.	J665
	1550 GREAT NORTH ROAD	BLOCK - D PANEL ELEVATION - 3A & 4		Checked	SP	Scale (A3)	1:50	Dwg No.	PC05



LEGEND :  
CO = CUT OUT

REV.	DATE	DESCRIPTION	DRAWN	APPROVED
1	22/03/18	ISSUE FOR CONSTRUCTION	NS	

Contractor		Job		Title		COPYRIGHT RESERVED	Drawn	SS	Date	17/02/18	Job No.	J665
		1550 GREAT NORTH ROAD		BLOCK - D PANEL ELEVATION - 5 & 6								
												REV.



LEGEND :  
OP = OPENING

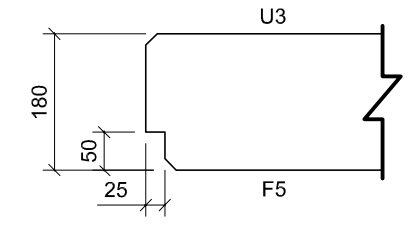
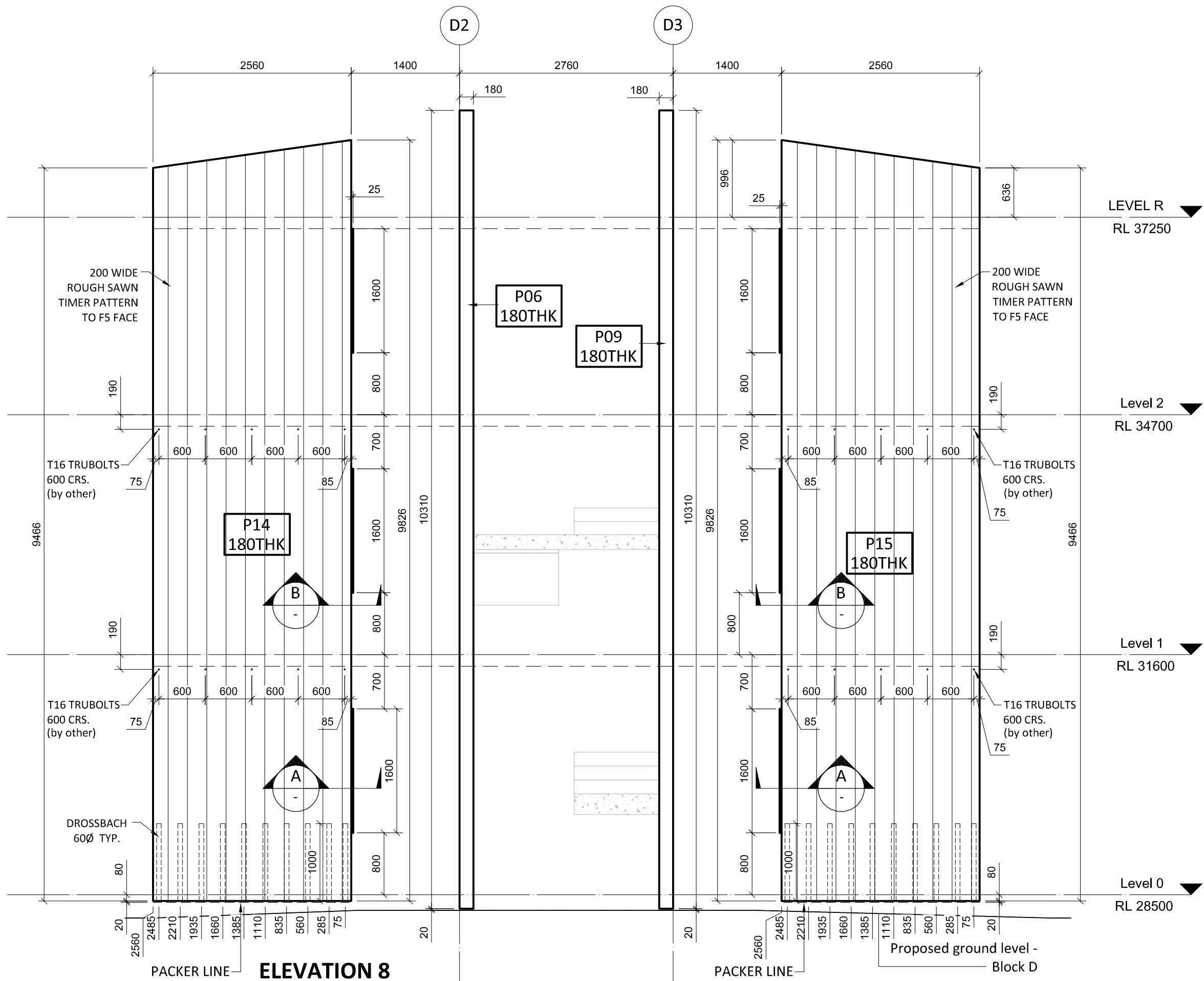
REV.	DATE	DESCRIPTION	DRAWN	APPROVED
1	22/03/18	ISSUE FOR CONSTRUCTION	NS	

Proposed ground level -  
Block D

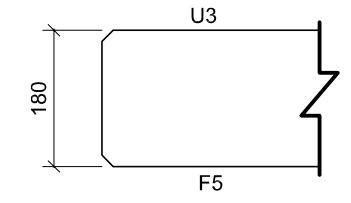
**ELEVATION 7**

Contractor	Job	1550 GREAT NORTH ROAD		Title	BLOCK - D PANEL ELEVATION - 7	
DRAWN	SS	Date	17/02/18	Job No.	J665	
	SP	Scale (A3)	1:50	Dwg No.	PC07	1

COPYRIGHT  
RESERVED



SECTION A-A



SECTION B-B

LEVEL R  
RL 37250

Level 2  
RL 34700

Level 1  
RL 31600

Level 0  
RL 28500

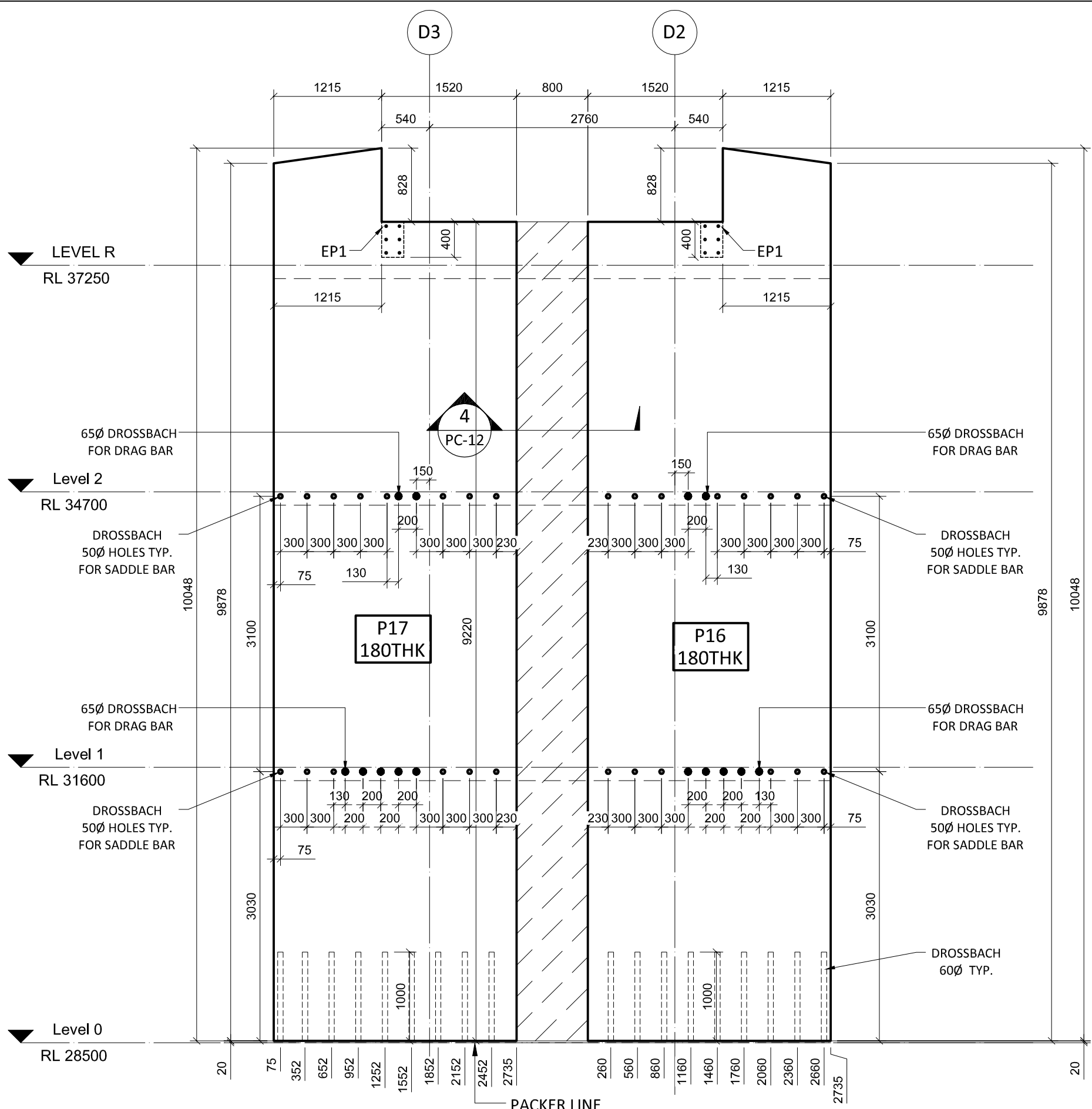
Proposed ground level -  
Block D

PACKER LINE **ELEVATION 8**

REV.	DATE	DESCRIPTION	DRAWN	APPROVED
1	22/03/18	ISSUE FOR CONSTRUCTION	NS	

Contractor		Job		Title		COPYRIGHT RESERVED	Drawn	SS	Date	17/02/18	Job No.	J665
		1550 GREAT NORTH ROAD		BLOCK - D PANEL ELEVATION - 8								
												REV.

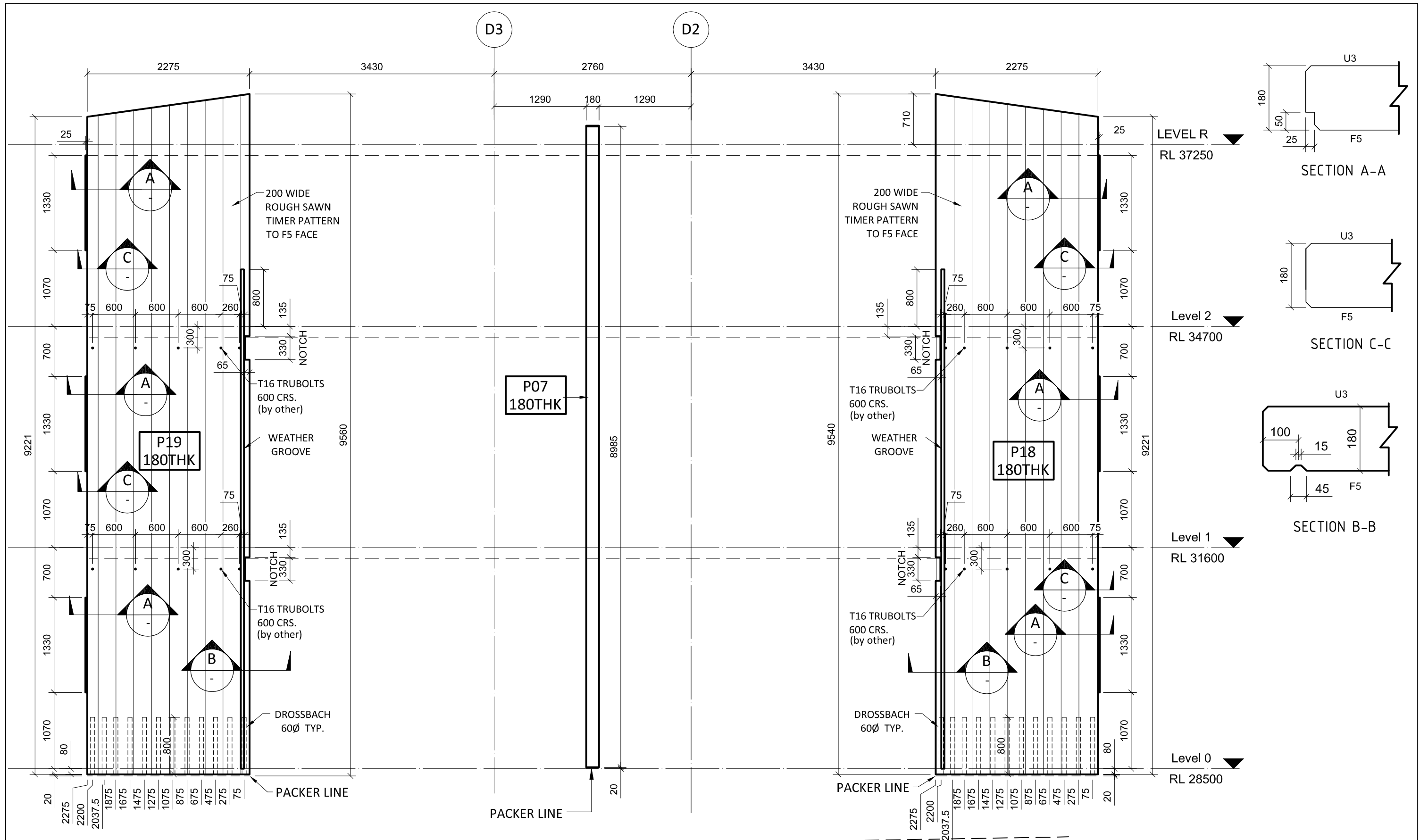




**ELEVATION 9**

REV.	DATE	DESCRIPTION	DRAWN	APPROVED
1	22/03/18	ISSUE FOR CONSTRUCTION	NS	

Contractor		Job		Title	
		1550 GREAT NORTH ROAD		BLOCK - D PANEL ELEVATION - 9	
COPYRIGHT RESERVED	Drawn	SS	Date	17/02/18	Job No. J665
	Checked	SP	Scale (A3)	1:50	PC09 1 REV.



**ELEVATION 10**

Proposed ground level -  
Block D

REV.	DATE	DESCRIPTION	DRAWN	APPROVED
1	22/03/18	ISSUE FOR CONSTRUCTION	NS	

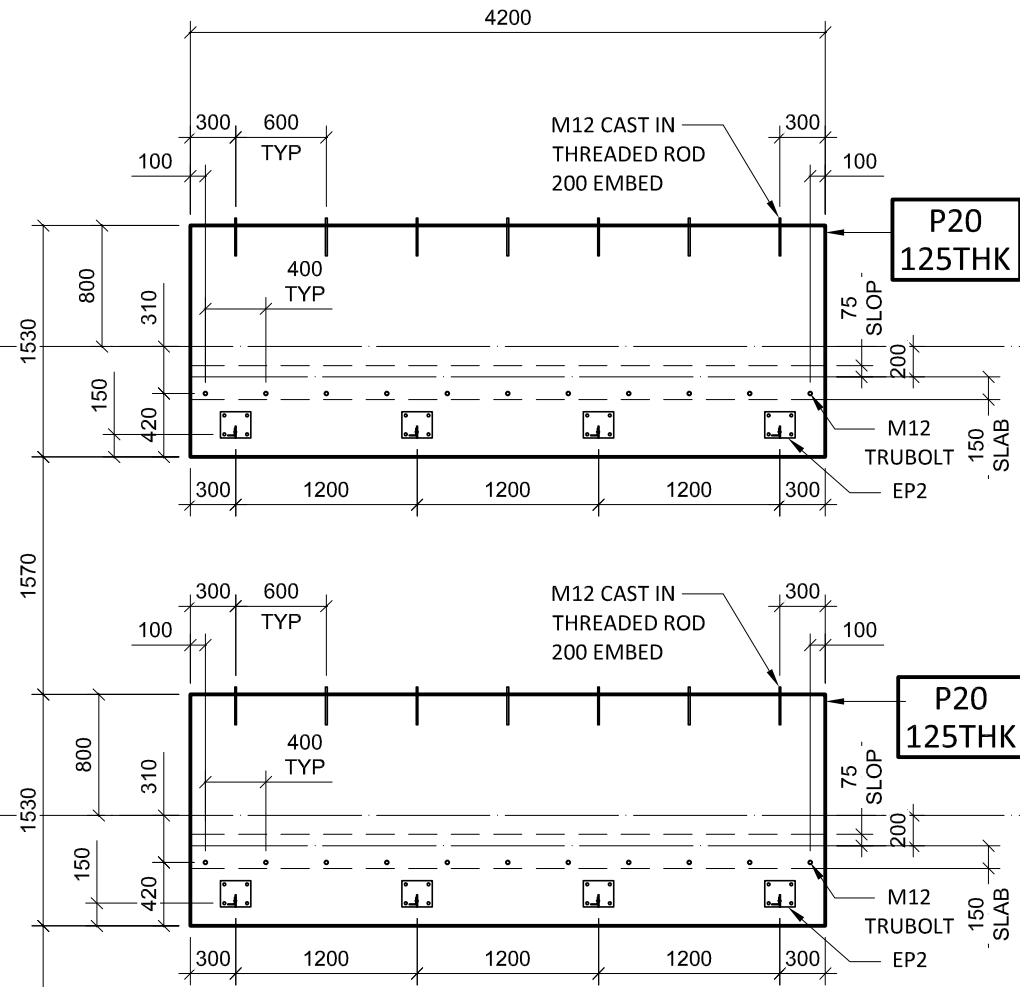
Contractor		Job		Title		COPYRIGHT RESERVED	Drawn	SS	Date	17/02/18	Job No.	J665	
		1550 GREAT NORTH ROAD		BLOCK - D PANEL ELEVATION - 10			Checked	sp	Scale (A3)	1:50		PC10	1
												Dwg No.	REV.

LEVEL R  
RL 37250

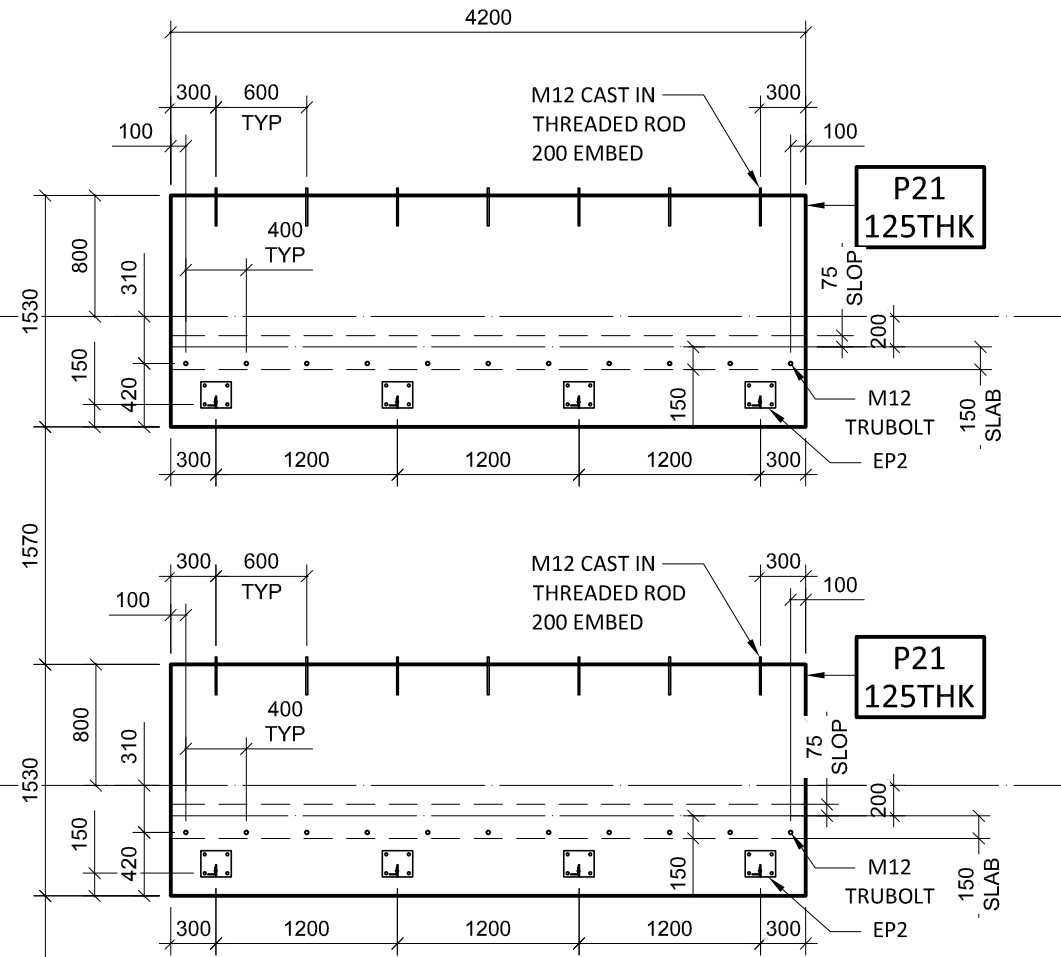
Level 2  
RL 34700

Level 1  
RL 31600

Level 0  
RL 28500



**ELEVATION 11**



**ELEVATION 12**

REV.	DATE	DESCRIPTION	DRAWN	APPROVED
1	22/03/18	ISSUE FOR CONSTRUCTION	NS	

Contractor

Job

1550 GREAT NORTH ROAD

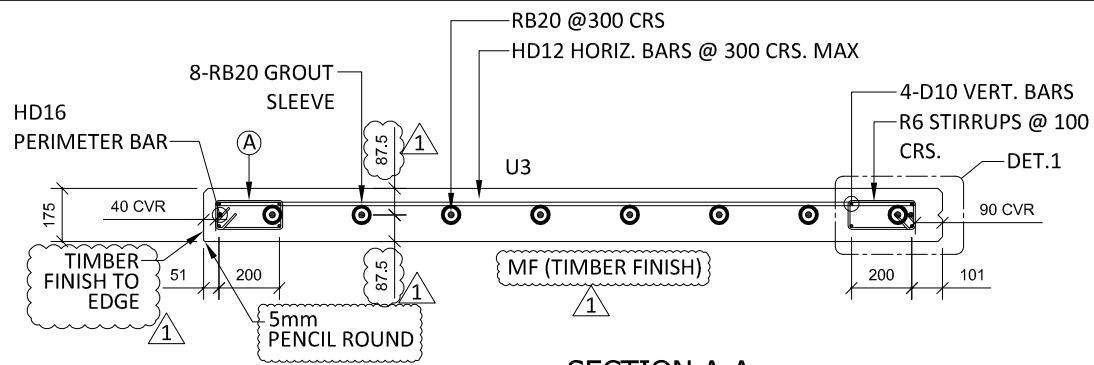
Title

BLOCK - D  
PANEL ELEVATION - 11 & 12

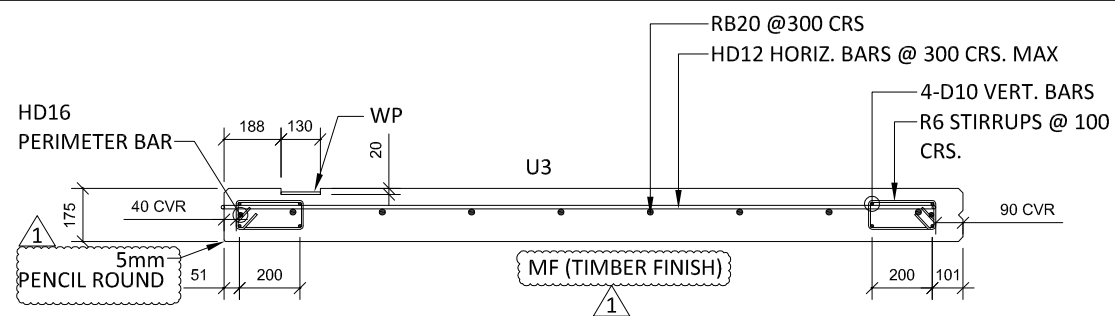
COPYRIGHT RESERVED

Drawn	SS	Date	17/02/18	Job No.	J665
Checked	SP	Scale (A3)	1:50	Dwg No.	PC11
				REV.	1

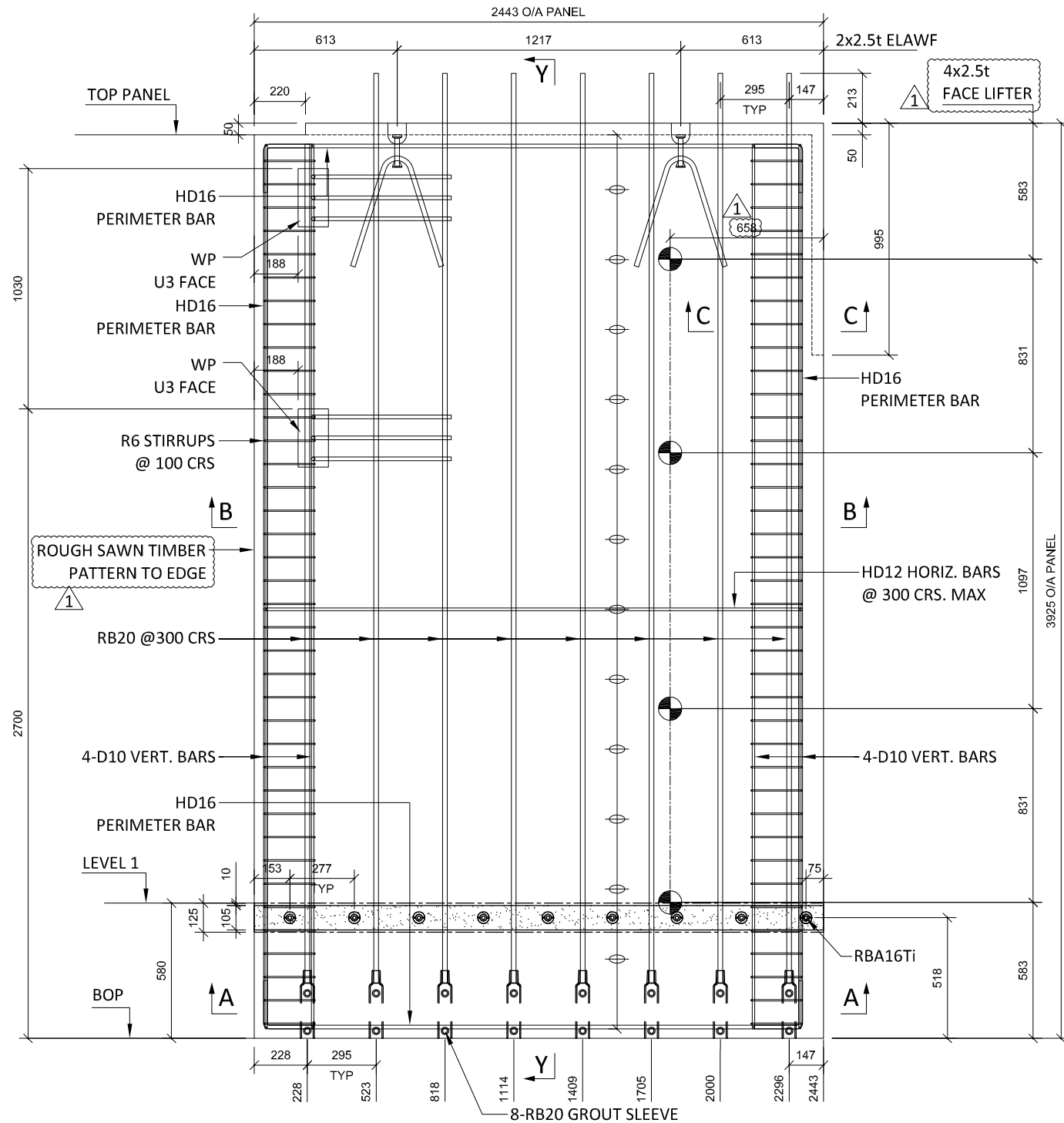
**WESTERN SPRINGS COLLEGE**



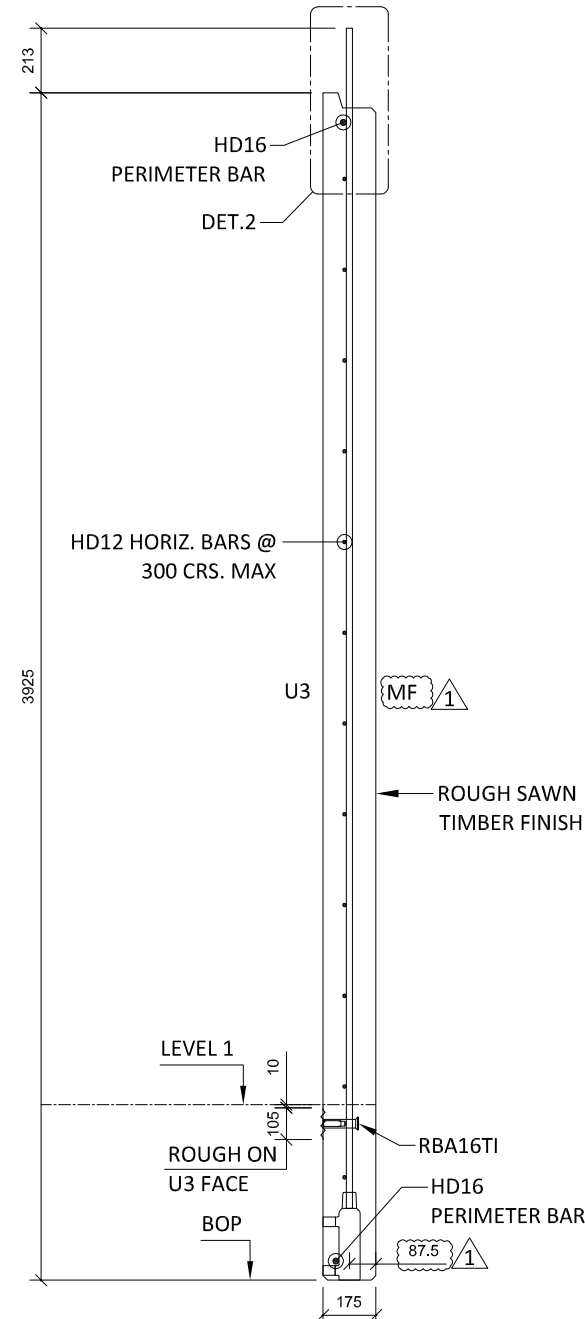
**SECTION A-A**  
SCALE :- 1:25



**SECTION B-B**  
SCALE :- 1:25



**P-GM-175-24 PLAN AS CAST - 175 THK**  
SCALE :- 1:25



**SECTION Y-Y**  
SCALE :- 1:25

INSPECTION & TEST PLAN		
INSPECTED BY		
NAME OF FABRICATOR		
UNIT NO.		
CAST DATE		
CAST TIME		
CONCRETE DOCKET NO.		
CONCRETE SPECIF. (MPa)		

ITEM	FABRICATOR INITIAL	APPROVED Y / N
MOULD CLEANLINESS		
RELEASE OIL		
DIMENSIONS		
FORMWORK FIXED		
OPENING / REBATES CORRECT & POSITION		
<b>HOLD POINT</b>		
REINFORCING CORRECT		
LAPS & SPLICES CORRECT		
SPACING & COVER CORRECT		
<b>HOLD POINT</b>		
LIFTERS POSITIONED CORRECTLY		
CAST - IN ITEMS		
STARTERS, LACING BARS		
<b>APPROVED FOR CASTING</b>		

POST POUR INSPECTION	
INSPECTED BY	
DATE	

ITEM	APPROVED Y / N
SWIFTLIFTS POSITION	
SWIFTLIFTS RECESS CLEANED	
CAST-IN ITEMS CLEANED	
CONCRETE FINISH	
LABELLED (NUMBER / DATED)	
DAMAGE (CRACKS / CHIPPING)	
CLEANLINESS	

ANY ACTION REQUIRED: ROUGH SAWN TIMBER FINISH	
<b>APPROVED FOR DISPATCH</b>	

SLING ANGLE TO BE NOT LESS THAN 60° TO HORIZONTAL WHEN LIFTING

40cvr TO ALL EDGES & FACES (UNO)

CAST IN SUNDRY  
8xRB20 GROUT SLEEVE.

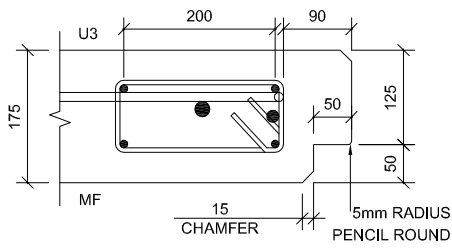
Area (m <sup>2</sup> )	9.59
Vol (m <sup>3</sup> )	1.68
Wt. (t)	4.20
MPa	40MPa
FINISH	MF(TIMBER FINISH 45°) /U3 FINISH
NO: OFF	1

REV.	DATE	DESCRIPTION	DRAWN	APPROVED
1	23/04/18	UPDATED AS PER COMMENT	SS	
0	17/04/18	ISSUE FOR CONSTRUCTION	JM	

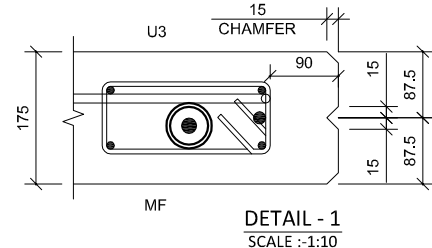
**ROUGH SAWN TIMBER FINISH**

DRAWING TO BE READ IN CONJUNCTION WITH P-GM-175-24-2

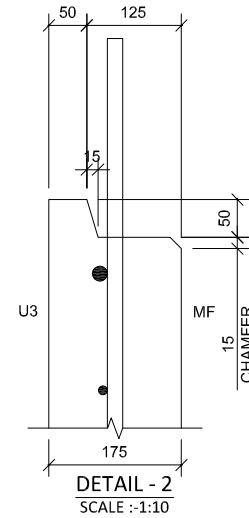
Contractor	Job	Title		COPYRIGHT RESERVED	Drawn	JM	Date	27/03/18	Job No.	J669
WESTERN SPRINGS COLLEGE REDEVELOPMENT 100 MOTIONS ROAD WESTERN SPRINGS	GYMNASIUM P-GM-175-24									
		Checked	SP	Scale (A3)	1:10 1:25	P-GM-175-24-1	1	REV.		



**SECTION C-C**  
SCALE :- 1:25



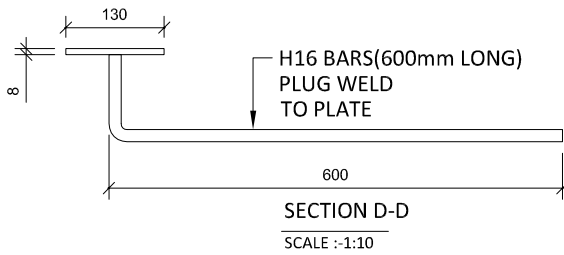
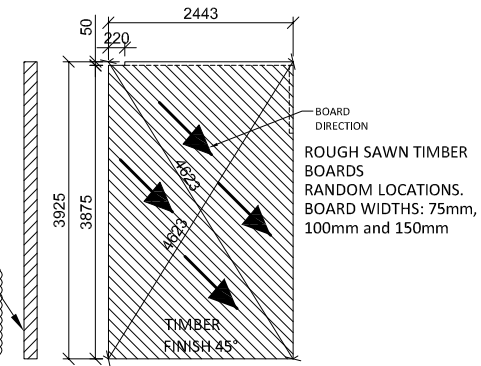
**DETAIL - 1**  
SCALE :- 1:10



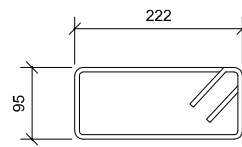
**DETAIL - 2**  
SCALE :- 1:10

PATTERN WRAPS AROUND TO END TO MEET PANEL  
P-GM-200-14 PATTERN

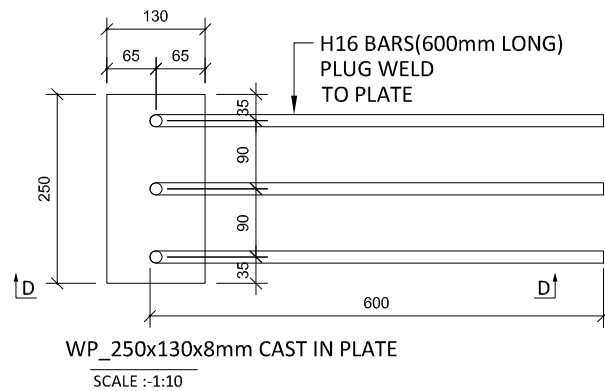
**ROUGH SAWN TIMBER INLAY  
VIEWED AS CAST**



**SECTION D-D**  
SCALE :- 1:10



**R6 STIRRUPS**  
TYPE :- A  
SCALE :- 1:10



**WP\_250x130x8mm CAST IN PLATE**  
SCALE :- 1:10

INSPECTION & TEST PLAN		
INSPECTED BY		
NAME OF FABRICATOR		
UNIT NO.		
CAST DATE		
CAST TIME		
CONCRETE DOCKET NO.		
CONCRETE SPECIF. (MPa)		
ITEM	FABRICATOR INITIAL	APPROVED Y / N
MOULD CLEANLINESS		
RELEASE OIL		
DIMENSIONS		
FORMWORK FIXED		
OPENING / REBATES CORRECT & POSITION		
<b>HOLD POINT</b>		
REINFORCING CORRECT		
LAPS & SPLICES CORRECT		
SPACING & COVER CORRECT		
<b>HOLD POINT</b>		
LIFTERS POSITIONED CORRECTLY		
CAST - IN ITEMS		
STARTERS, LACING BARS		
<b>APPROVED FOR CASTING</b>		
POST POUR INSPECTION		
INSPECTED BY		
DATE		
ITEM	APPROVED Y / N	
SWIFTLIFTS POSITION		
SWIFTLIFTS RECESS CLEANED		
CAST-IN ITEMS CLEANED		
CONCRETE FINISH		
LABELED (NUMBER / DATED)		
DAMAGE (CRACKS / CHIPPING)		
CLEANLINESS		
ANY ACTION REQUIRED: ROUGH SAWN TIMBER FINISH		
<b>APPROVED FOR DISPATCH</b>		
SLING ANGLE TO BE NOT LESS THAN 60° TO HORIZONTAL WHEN LIFTING		
40cvr TO ALL EDGES & FACES (UNO)		
CAST IN SUNDRY 8xRB20 GROUT SLEEVE.		
Area (m <sup>2</sup> )	9.59	
Vol (m <sup>3</sup> )	1.68	
Wt. (t)	4.20	
MPa	40MPa	
FINISH	MF(TIMBER FINISH 45°) /U3 FINISH	
NO: OFF	1	

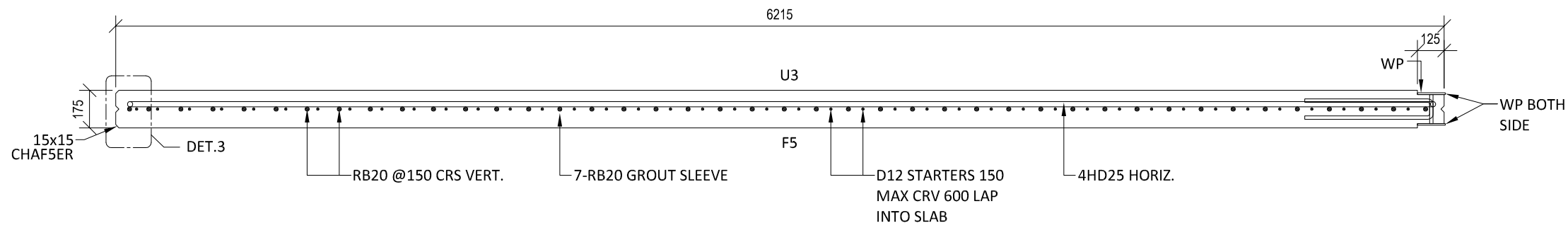
**ROUGH SAWN TIMBER FINISH**

REV.	DATE	DESCRIPTION	DRAWN	APPROVED
1	23/04/18	UPDATED AS PER COMMENT	SS	
0	17/04/18	ISSUE FOR CONSTRUCTION	JM	

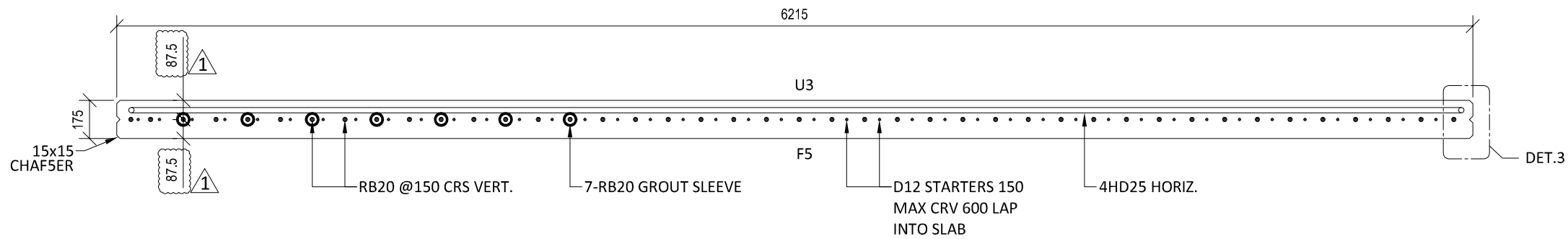
DRAWING TO BE READ IN CONJUNCTION WITH P-GM-175-24-1

Contractor	Job	Title	Drawn	Date	Job No.
	WESTERN SPRINGS COLLEGE REDEVELOPMENT 100 MOTIONS ROAD WESTERN SPRINGS	GYMNASIUM P-GM-175-24	JM	27/03/18	1669
			Checked	Scale (A3)	P-GM-175-24-2
			SP	1:10 1:25	1 REV.

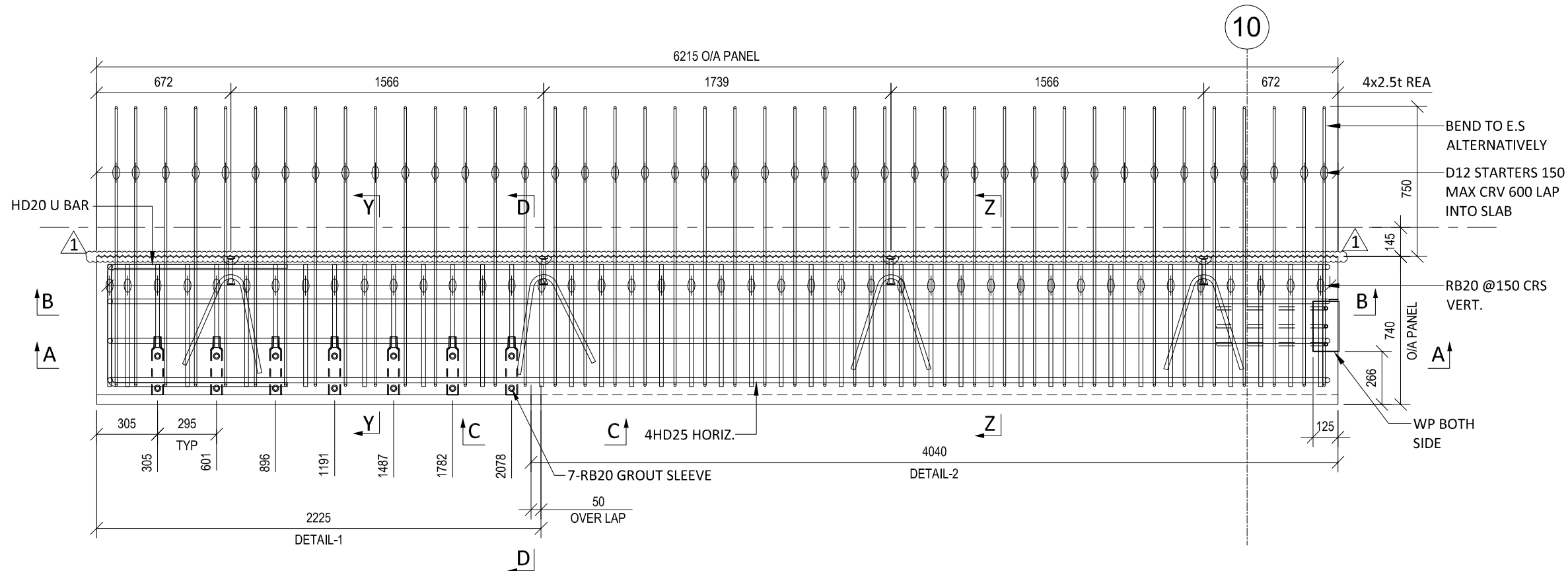
COPYRIGHT RESERVED



**SECTION B-B**  
SCALE :- 1:25



**SECTION A-A**  
SCALE :- 1:25



**P-GM-175-24A PLAN AS CAST - 150 THK**  
SCALE :- 1:25

INSPECTION & TEST PLAN		
INSPECTED BY		
NAME OF FABRICATOR		
UNIT NO.		
CAST DATE		
CAST TIME		
CONCRETE DOCKET NO.		
CONCRETE SPECIF. (MPa)		

ITEM	FABRICATOR INITIAL	APPROVED Y / N
MOULD CLEANLINESS		
RELEASE OIL		
DIMENSIONS		
FORMWORK FIXED		
OPENING / REBATES CORRECT & POSITION		
<b>HOLD POINT</b>		
REINFORCING CORRECT		
LAPS & SPLICES CORRECT		
SPACING & COVER CORRECT		
<b>HOLD POINT</b>		
LIFTERS POSITIONED CORRECTLY		
CAST - IN ITEMS		
STARTERS, LACING BARS		
<b>APPROVED FOR CASTING</b>		

POST POUR INSPECTION	
INSPECTED BY	
DATE	

ITEM	APPROVED Y / N
SWIFTLIFTS POSITION	
SWIFTLIFTS RECESS CLEANED	
CAST-IN ITEMS CLEANED	
CONCRETE FINISH	
LABELLED (NUMBER / DATED)	
DAMAGE (CRACKS / CHIPPING)	
CLEANLINESS	

ANY ACTION REQUIRED:	
<b>APPROVED FOR DISPATCH</b>	

SLING ANGLE TO BE NOT LESS THAN 60° TO HORIZONTAL WHEN LIFTING

40cvt TO ALL EDGES & FACES (UNO)

CAST IN SUNDRY  
7xRB20 GROUT SLEEVE.

Area (m <sup>2</sup> )	4.60
Vol (m <sup>3</sup> )	0.80
Wt. (t)	2.01
MPa	40MPa
FINISH	F5/U3 FINISH
NO: OFF	1

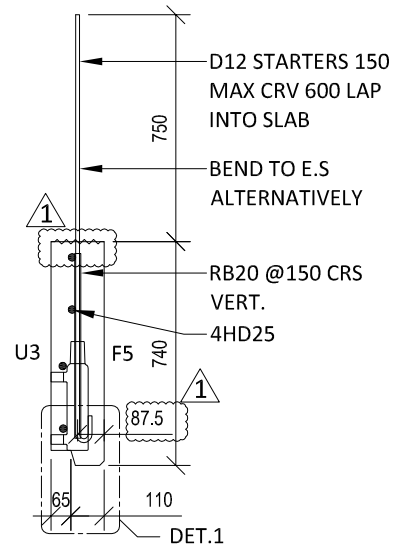
REV.	DATE	DESCRIPTION	DRAWN	APPROVED
1	23/04/18	UPDATED AS PER COMMENT	SS	
0	17/04/18	ISSUE FOR CONSTRUCTION	NS	

DRAWING TO BE READ IN CONJUNCTION WITH P-GM-175-24A-2

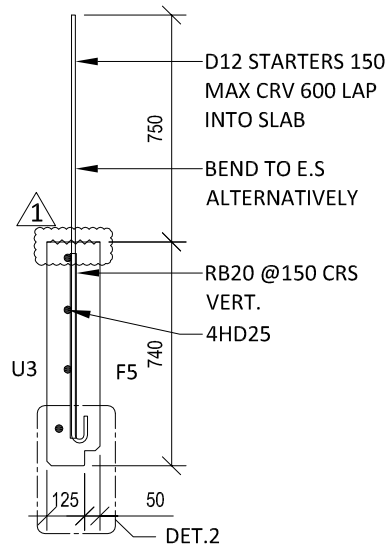
Contractor	Job	WESTERN SPRINGS COLLEGE REDEVELOPMENT 100 MOTIONS ROAD WESTERN SPRINGS
	Title	GYMNASIUM P-GM-175-24A

COPYRIGHT RESERVED

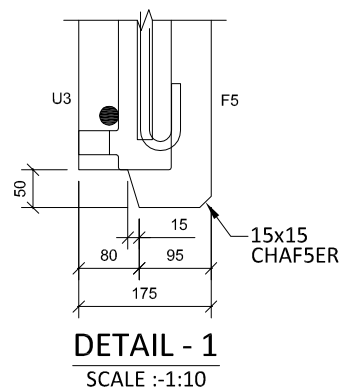
Drawn	NS	Date	27/03/18	Job No.	<b>J669</b>
Checked	SP	Scale (A3)	1:30 1:200	P-GM-175-24A-1	1



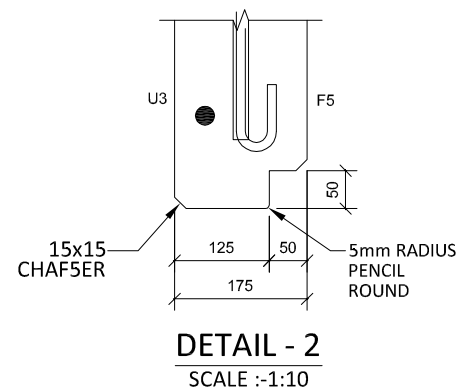
**SECTION Y-Y**  
SCALE :- 1:25



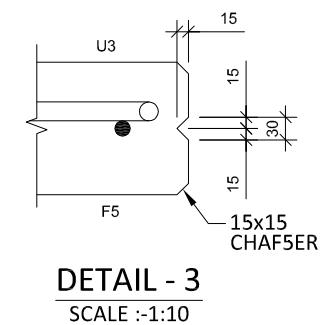
**SECTION Z-Z**  
SCALE :- 1:25



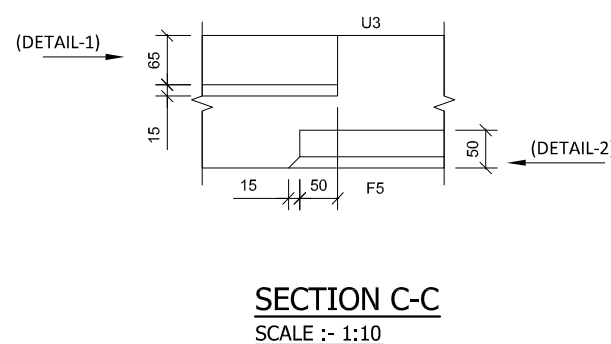
**DETAIL - 1**  
SCALE :-1:10



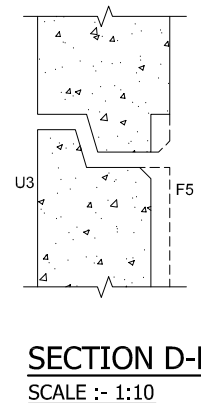
**DETAIL - 2**  
SCALE :-1:10



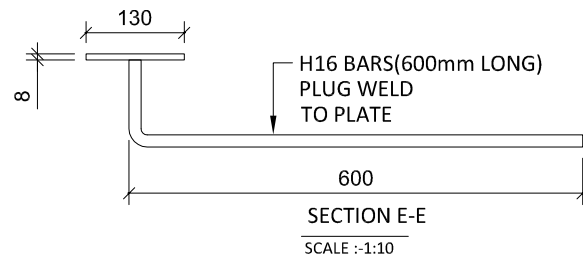
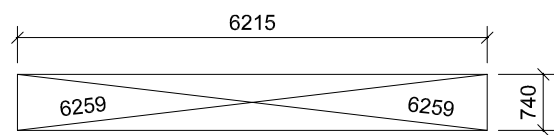
**DETAIL - 3**  
SCALE :-1:10



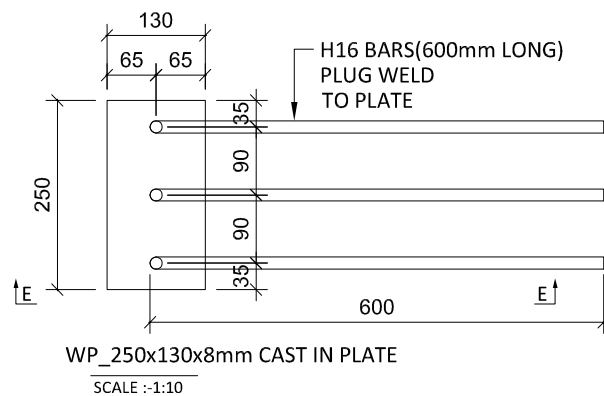
**SECTION C-C**  
SCALE :- 1:10



**SECTION D-D**  
SCALE :- 1:10



**SECTION E-E**  
SCALE :-1:10



**WP\_250x130x8mm CAST IN PLATE**  
SCALE :-1:10

INSPECTION & TEST PLAN		
INSPECTED BY		
NAME OF FABRICATOR		
UNIT NO.		
CAST DATE		
CAST TIME		
CONCRETE DOCKET NO.		
CONCRETE SPECIF. (MPa)		
ITEM	FABRICATOR INITIAL	APPROVED Y / N
MOULD CLEANLINESS		
RELEASE OIL		
DIMENSIONS		
FORMWORK FIXED		
OPENING / REBATES CORRECT & POSITION		
<b>HOLD POINT</b>		
REINFORCING CORRECT		
LAPS & SPLICES CORRECT		
SPACING & COVER CORRECT		
<b>HOLD POINT</b>		
LIFTERS POSITIONED CORRECTLY		
CAST - IN ITEMS		
STARTERS, LACING BARS		
<b>APPROVED FOR CASTING</b>		
POST POUR INSPECTION		
INSPECTED BY		
DATE		
ITEM		APPROVED Y / N
SWIFTLIFTS POSITION		
SWIFTLIFTS RECESS CLEANED		
CAST-IN ITEMS CLEANED		
CONCRETE FINISH		
LABELLED (NUMBER / DATED)		
DAMAGE (CRACKS / CHIPPING)		
CLEANLINESS		
ANY ACTION REQUIRED:		
<b>APPROVED FOR DISPATCH</b>		
SLING ANGLE TO BE NOT LESS THAN 60° TO HORIZONTAL WHEN LIFTING		
40cvr TO ALL EDGES & FACES (UNO)		
CAST IN SUNDRY		
7xRB20 GROUT SLEEVE.		
Area (m <sup>2</sup> )	4.54	
Vol (m <sup>3</sup> )	0.79	
Wt. (t)	1.99	
MPa	40MPa	
FINISH	F5/U3 FINISH	
NO: OFF	1	

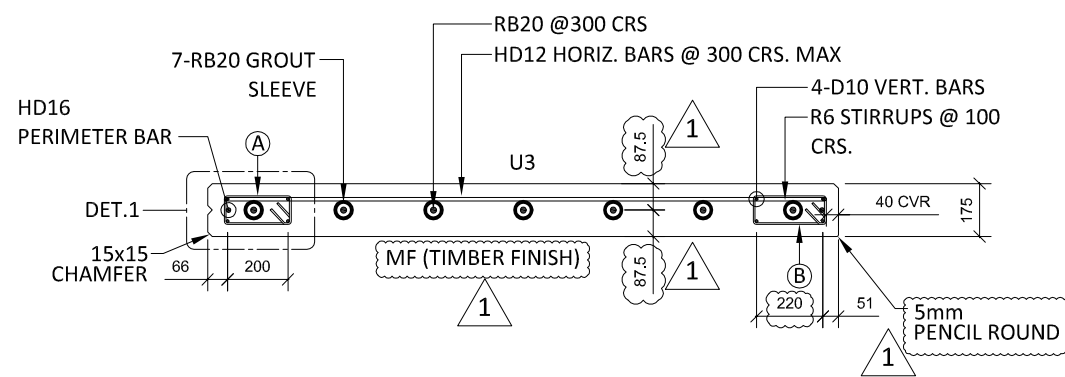
REV.	DATE	DESCRIPTION	DRAWN	APPROVED
1	23/04/18	UPDATED AS PER COMMENT	SS	
0	17/04/18	ISSUE FOR CONSTRUCTION	NS	

DRAWING TO BE READ IN CONJUNCTION WITH P-GM-175-24A-1

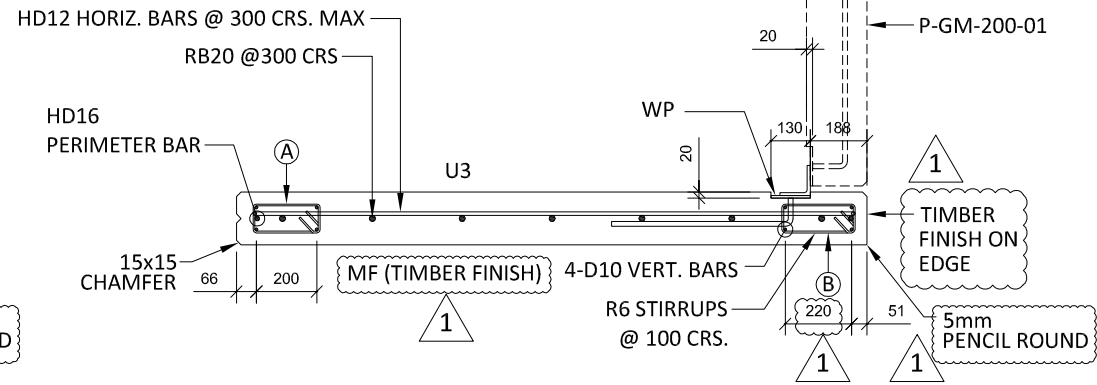
Contractor	Job	Title	Drawn	NS	Date	27/03/18	Job No.	<b>J669</b>
	WESTERN SPRINGS COLLEGE REDEVELOPMENT 100 MOTIONS ROAD WESTERN SPRINGS	GYMNASIUM P-GM-175-24A	Checked	SP	Scale (A3)	1:30, 1:25 1:10	P-GM-175-24A-2	1
							Dwg No.	REV.

COPYRIGHT RESERVED



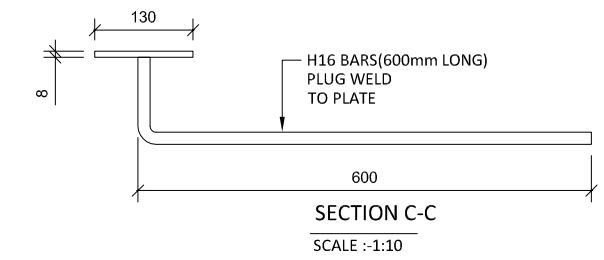
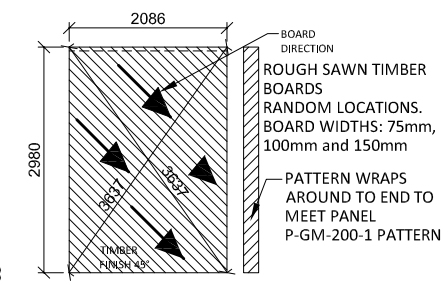


**SECTION A-A**  
SCALE :- 1:25

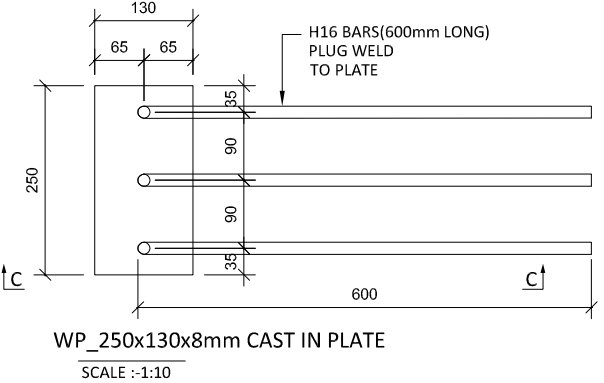


**SECTION B-B**  
SCALE :- 1:25

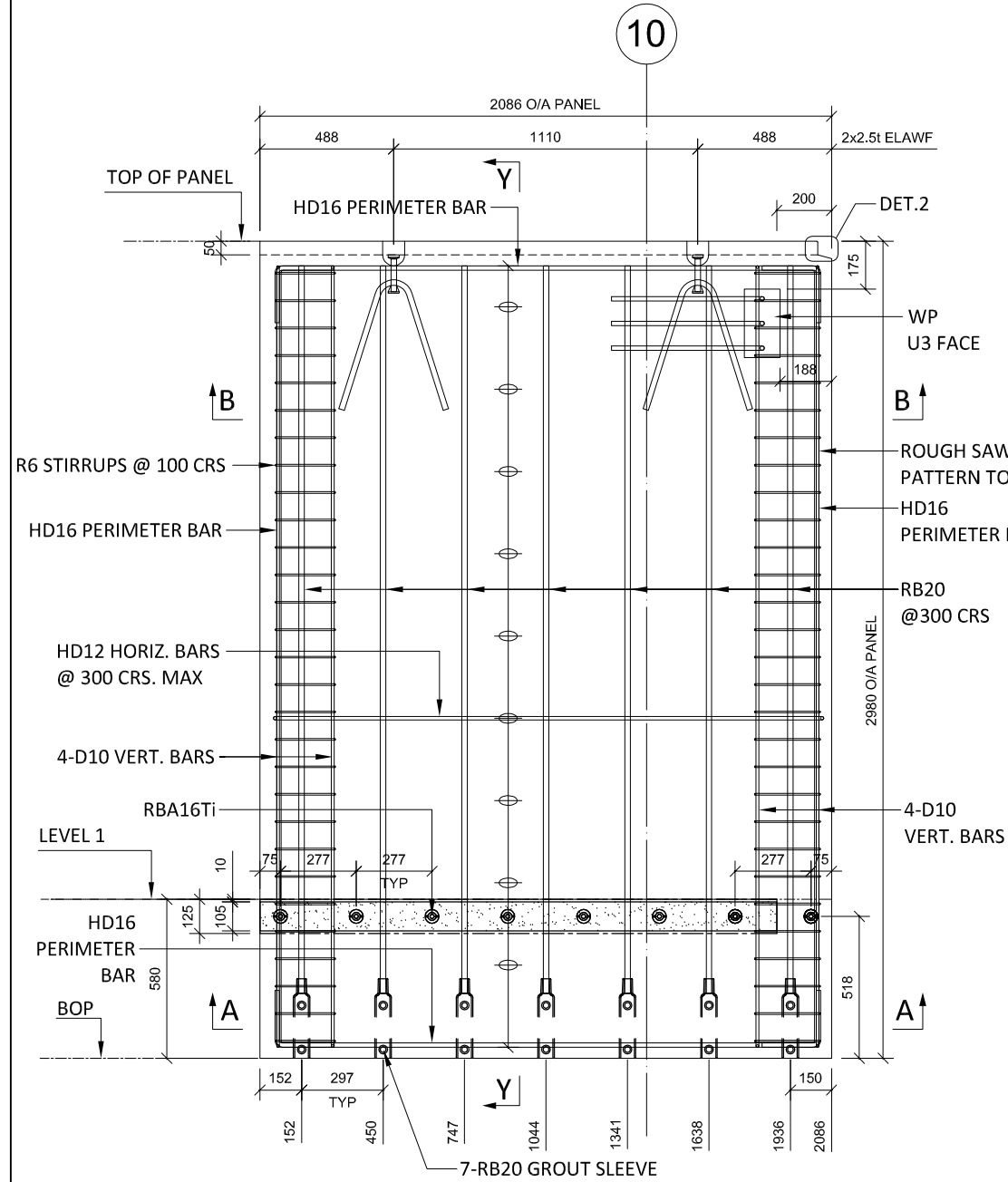
**ROUGH SAWN TIMBER INLAY  
VIEWED AS CAST**



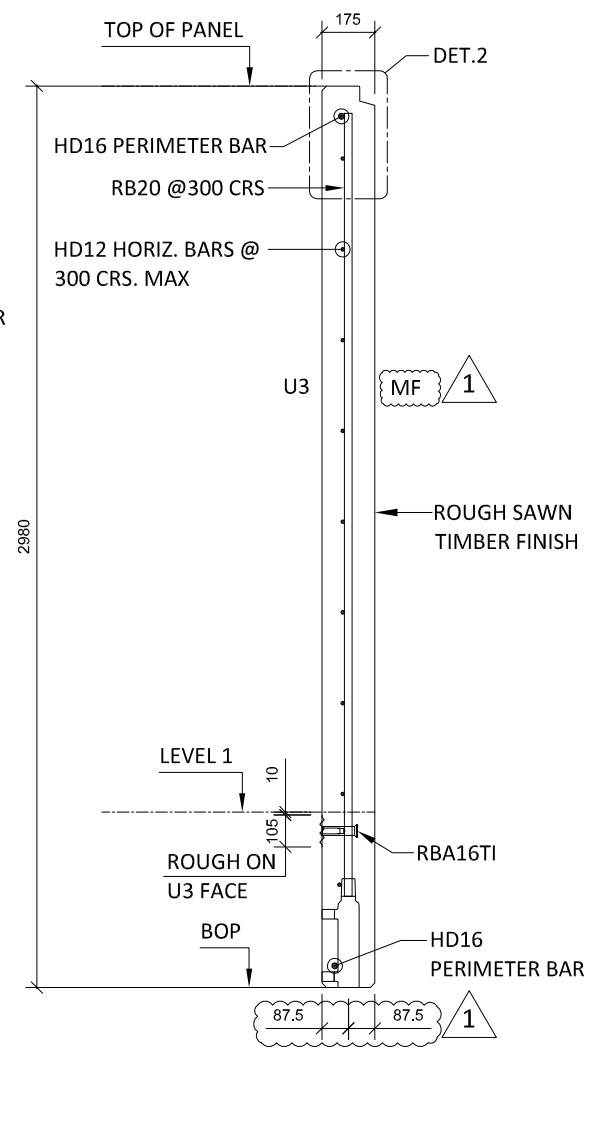
**SECTION C-C**  
SCALE :- 1:10



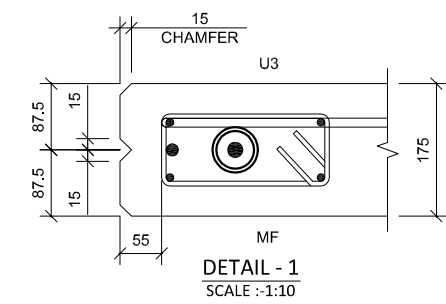
**WP\_250x130x8mm CAST IN PLATE**  
SCALE :- 1:10



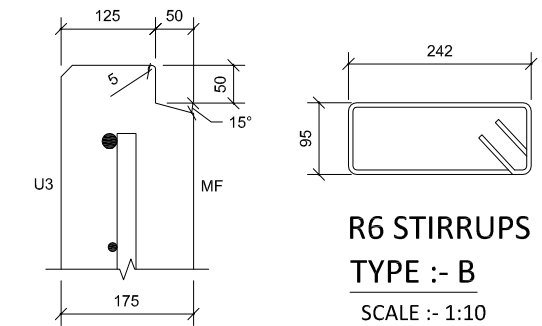
**P-GM-175-26 PLAN AS CAST - 175 THK**  
SCALE :- 1:25



**SECTION Y-Y**  
SCALE :- 1:25



**DETAIL - 1**  
SCALE :- 1:10



**DETAIL - 2**  
SCALE :- 1:10

**R6 STIRRUPS  
TYPE :- A**  
SCALE :- 1:10

**R6 STIRRUPS  
TYPE :- B**  
SCALE :- 1:10

**ROUGH SAWN TIMBER FINISH**

INSPECTION & TEST PLAN		
INSPECTED BY		
NAME OF FABRICATOR		
UNIT NO.		
CAST DATE		
CAST TIME		
CONCRETE DOCKET NO.		
CONCRETE SPECIF. (MPa)		
ITEM	FABRICATOR INITIAL	APPROVED Y / N
MOULD CLEANLINESS		
RELEASE OIL		
DIMENSIONS		
FORMWORK FIXED		
OPENING / REBATES CORRECT & POSITION		
<b>HOLD POINT</b>		
REINFORCING CORRECT		
LAPS & SPLICES CORRECT		
SPACING & COVER CORRECT		
<b>HOLD POINT</b>		
LIFTERS POSITIONED CORRECTLY		
CAST - IN ITEMS		
STARTERS, LACING BARS		
<b>APPROVED FOR CASTING</b>		

POST POUR INSPECTION	
INSPECTED BY	
DATE	

ITEM	APPROVED Y / N
SWIFTLIFTS POSITION	
SWIFTLIFTS RECESS CLEANED	
CAST-IN ITEMS CLEANED	
CONCRETE FINISH	
LABELLED (NUMBER / DATED)	
DAMAGE (CRACKS / CHIPPING)	
CLEANLINESS	

ANY ACTION REQUIRED:  
ROUGH SAWN TIMBER FINISH

**APPROVED FOR DISPATCH**

SLING ANGLE TO BE NOT LESS THAN 60° TO HORIZONTAL WHEN LIFTING

40cvr TO ALL EDGES & FACES (UNO)

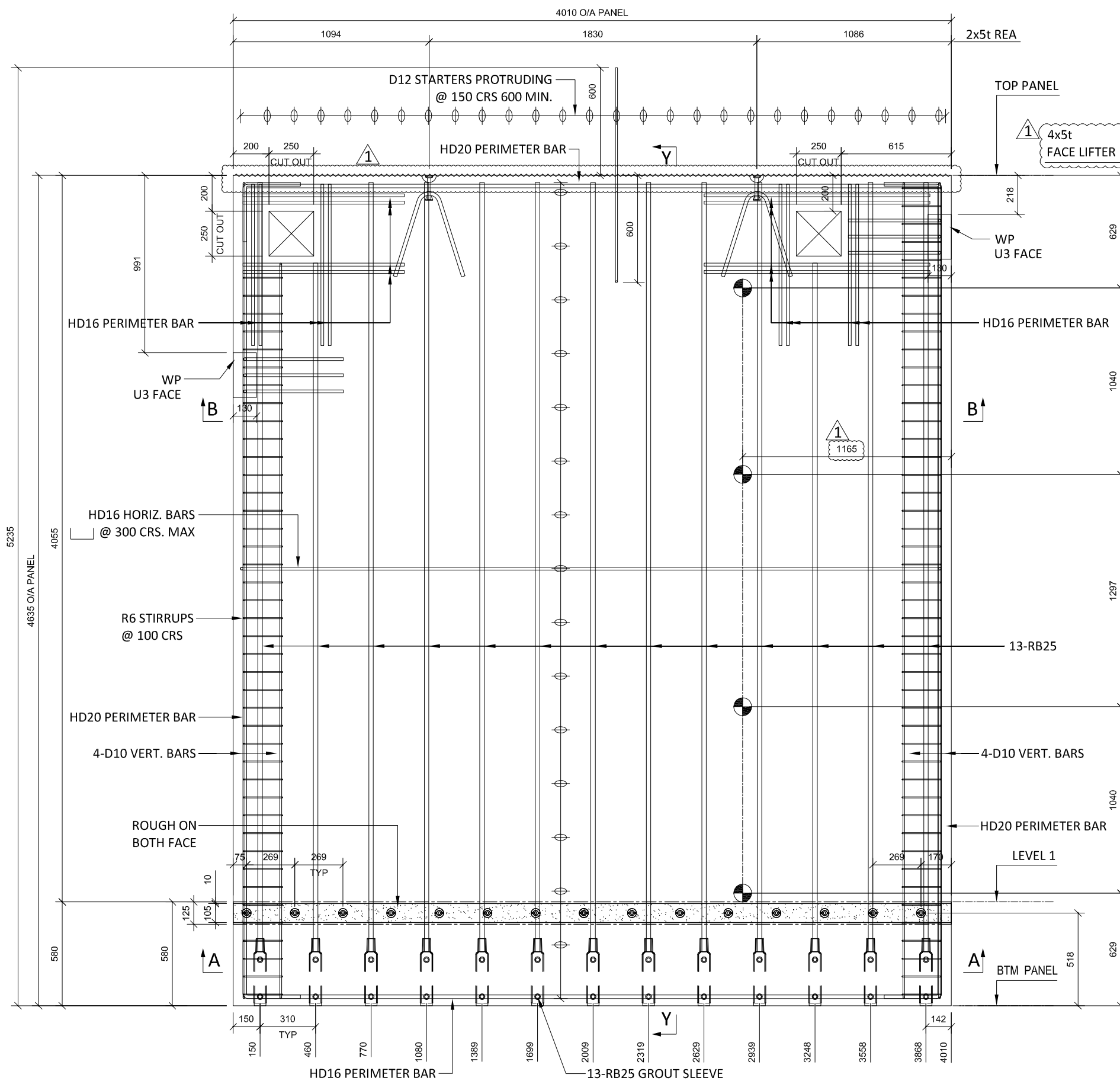
CAST IN SUNDRY  
7xRB20 GROUT SLEEVE.

Area (m <sup>2</sup> )	6.22
Vol (m <sup>3</sup> )	1.09
Wt. (t)	2.72
MPa	40MPa
FINISH	MF (TIMBER FINISH 45°) /U3 FINISH
NO: OFF	1

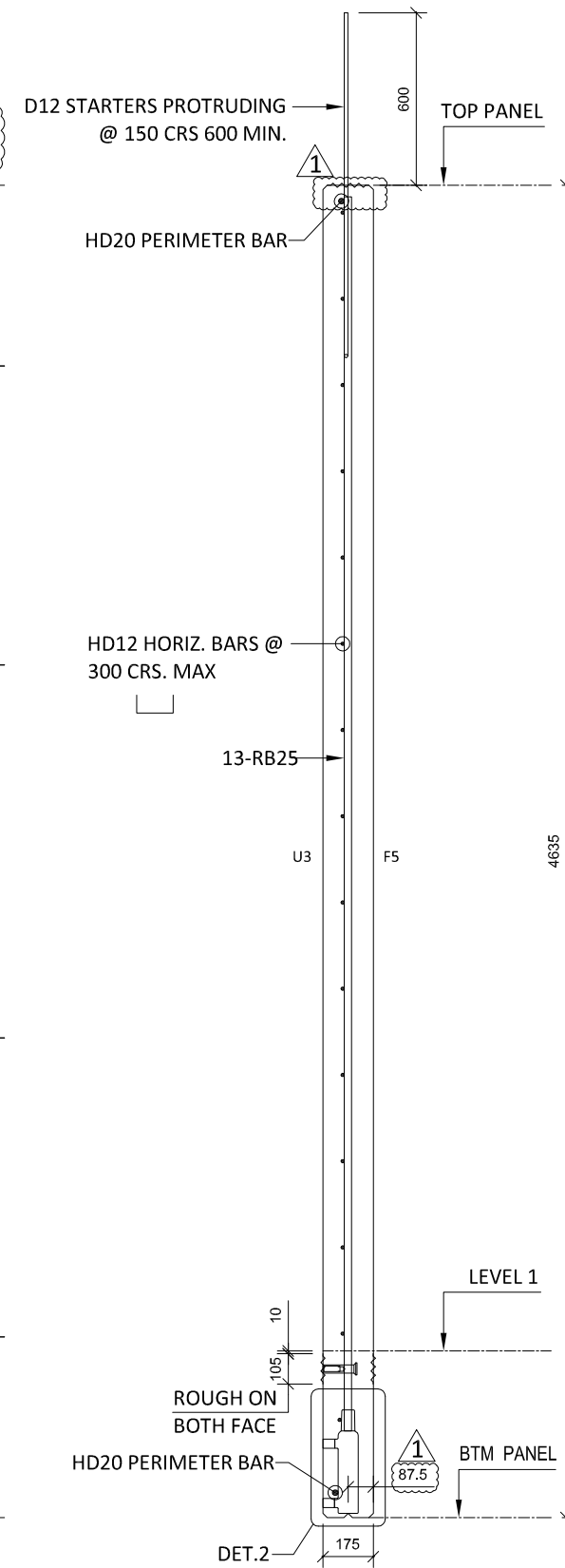
REV.	DATE	DESCRIPTION	DRAWN	APPROVED
1	23/04/18	UPDATED AS PER COMMENT	NS	
0	17/04/18	ISSUE FOR CONSTRUCTION	NS	

Contractor	Job	Title	Drawn	NS	Date	21/03/18	Job No.	J669	
WESTERN SPRINGS COLLEGE REDEVELOPMENT 100 MOTIONS ROAD WESTERN SPRINGS	GYMNASIUM P-GM-175-26		Checked	SP	Scale (A3)	1:10 1:25	P-GM-175-26	1	REV.

COPYRIGHT RESERVED



**P-GM-175-27 PLAN AS CAST - 175 THK**  
SCALE :- 1:25



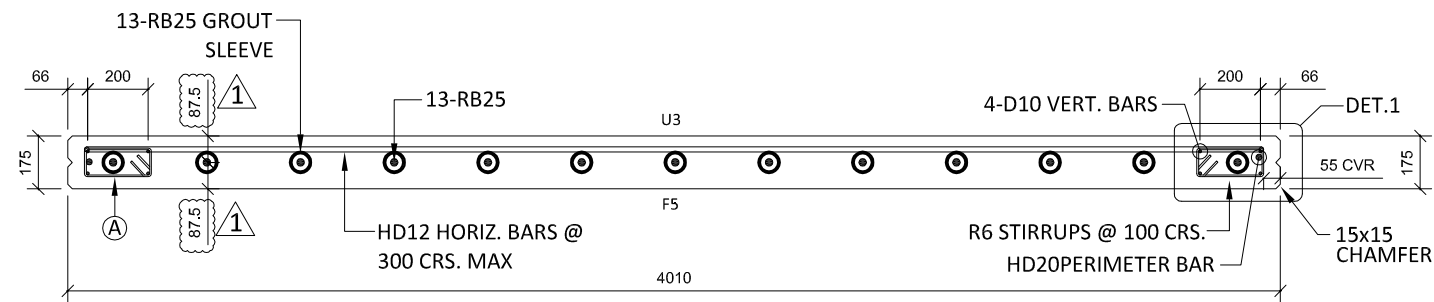
**SECTION Y-Y**  
SCALE :- 1:25

INSPECTION & TEST PLAN		
INSPECTED BY		
NAME OF FABRICATOR		
UNIT NO.		
CAST DATE		
CAST TIME		
CONCRETE DOCKET NO.		
CONCRETE SPECIF. (MPa)		
ITEM	FABRICATOR INITIAL	APPROVED Y / N
MOULD CLEANLINESS		
RELEASE OIL		
DIMENSIONS		
FORMWORK FIXED		
OPENING / REBATES CORRECT & POSITION		
<b>HOLD POINT</b>		
REINFORCING CORRECT		
LAPS & SPLICES CORRECT		
SPACING & COVER CORRECT		
<b>HOLD POINT</b>		
LIFTERS POSITIONED CORRECTLY		
CAST - IN ITEMS		
STARTERS, LACING BARS		
<b>APPROVED FOR CASTING</b>		
<b>POST POUR INSPECTION</b>		
INSPECTED BY		
DATE		
ITEM		APPROVED Y / N
SWIFTLIFTS POSITION		
SWIFTLIFTS RECESS CLEANED		
CAST-IN ITEMS CLEANED		
CONCRETE FINISH		
LABELLED (NUMBER / DATED)		
DAMAGE (CRACKS / CHIPPING)		
CLEANLINESS		
ANY ACTION REQUIRED:		
<b>APPROVED FOR DISPATCH</b>		
SLING ANGLE TO BE NOT LESS THAN 60° TO HORIZONTAL WHEN LIFTING		
40cvr TO ALL EDGES & FACES (UNO)		
<b>CAST IN SUNDRY</b> 13xRB25 GROUT SLEEVE.		
Area (m <sup>2</sup> )	18.62	
Vol (m <sup>3</sup> )	3.26	
Wt. (t)	8.15	
MPa	40MPa	
FINISH	F5/U3 FINISH	
NO: OFF	1	

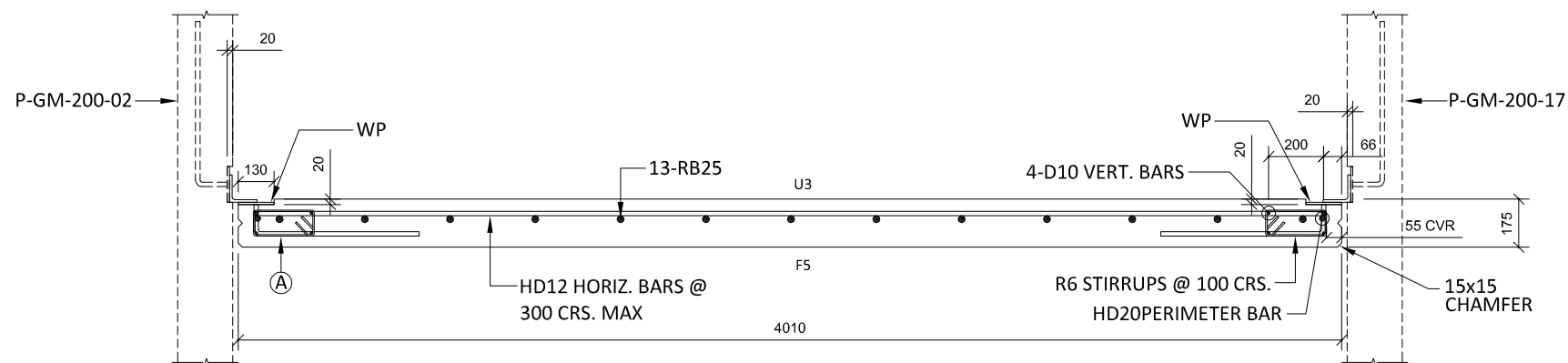
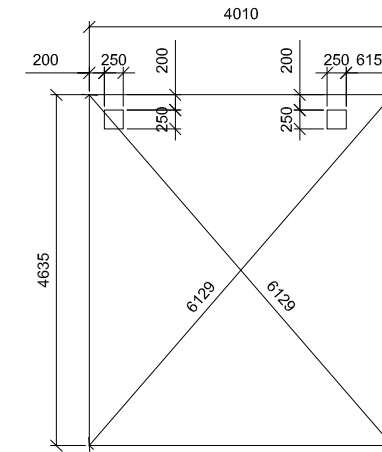
REV.	DATE	DESCRIPTION	DRAWN	APPROVED
1	23/04/18	UPDATED AS PER COMMENT	SS	
0	17/04/18	ISSUE FOR CONSTRUCTION	JM	

Contractor	Job	Title	Drawn	Date	Job No.
	WESTERN SPRINGS COLLEGE REDEVELOPMENT 100 MOTIONS ROAD WESTERN SPRINGS	GYMNASIUM P-GM-175-27	JM	21/03/18	1669
			Checked	Scale (A3)	P-GM-175-27-1
			sp	1:25	1
					Dwg No.

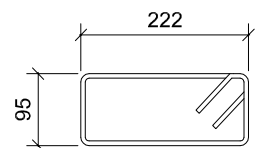
COPYRIGHT RESERVED



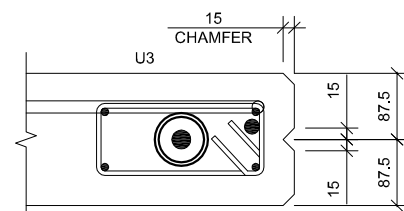
**SECTION A-A**  
SCALE :- 1:25



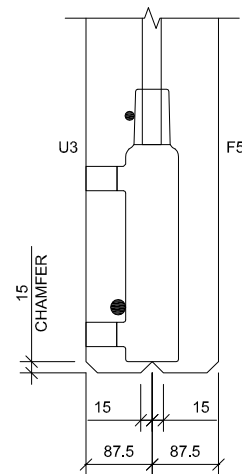
**SECTION B-B**  
SCALE :- 1:25



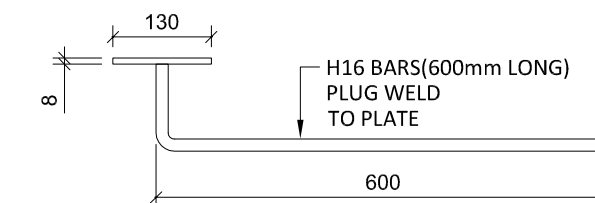
**R6 STIRRUPS**  
TYPE :- A  
SCALE :- 1:10



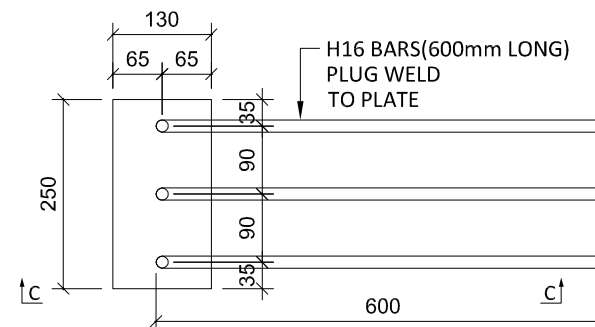
**DETAIL - 1**  
SCALE :- 1:10



**DETAIL - 2**  
SCALE :- 1:10



**SECTION C-C**  
SCALE :- 1:10



**WP\_250x130x8mm CAST IN PLATE**  
SCALE :- 1:10

INSPECTION & TEST PLAN		
INSPECTED BY		
NAME OF FABRICATOR		
UNIT NO.		
CAST DATE		
CAST TIME		
CONCRETE DOCKET NO.		
CONCRETE SPECIF. (MPa)		
ITEM	FABRICATOR INITIAL	APPROVED Y / N
MOULD CLEANLINESS		
RELEASE OIL		
DIMENSIONS		
FORMWORK FIXED		
OPENING / REBATES CORRECT & POSITION		
<b>HOLD POINT</b>		
REINFORCING CORRECT		
LAPS & SPLICES CORRECT		
SPACING & COVER CORRECT		
<b>HOLD POINT</b>		
LIFTERS POSITIONED CORRECTLY		
CAST - IN ITEMS		
STARTERS, LACING BARS		
<b>APPROVED FOR CASTING</b>		
POST POUR INSPECTION		
INSPECTED BY		
DATE		
ITEM		APPROVED Y / N
SWIFTLIFTS POSITION		
SWIFTLIFTS RECESS CLEANED		
CAST-IN ITEMS CLEANED		
CONCRETE FINISH		
LABELLED (NUMBER / DATED)		
DAMAGE (CRACKS / CHIPPING)		
CLEANLINESS		
ANY ACTION REQUIRED:		
<b>APPROVED FOR DISPATCH</b>		
SLING ANGLE TO BE NOT LESS THAN 60° TO HORIZONTAL WHEN LIFTING		
40cvr TO ALL EDGES & FACES (UNO)		
<b>CAST IN SUNDRY</b> 13xRB25 GROUT SLEEVE.		
Area (m <sup>2</sup> )	18.62	
Vol (m <sup>3</sup> )	3.26	
Wt. (t)	8.15	
MPa	40MPa	
FINISH	F5/U3 FINISH	
NO: OFF	1	

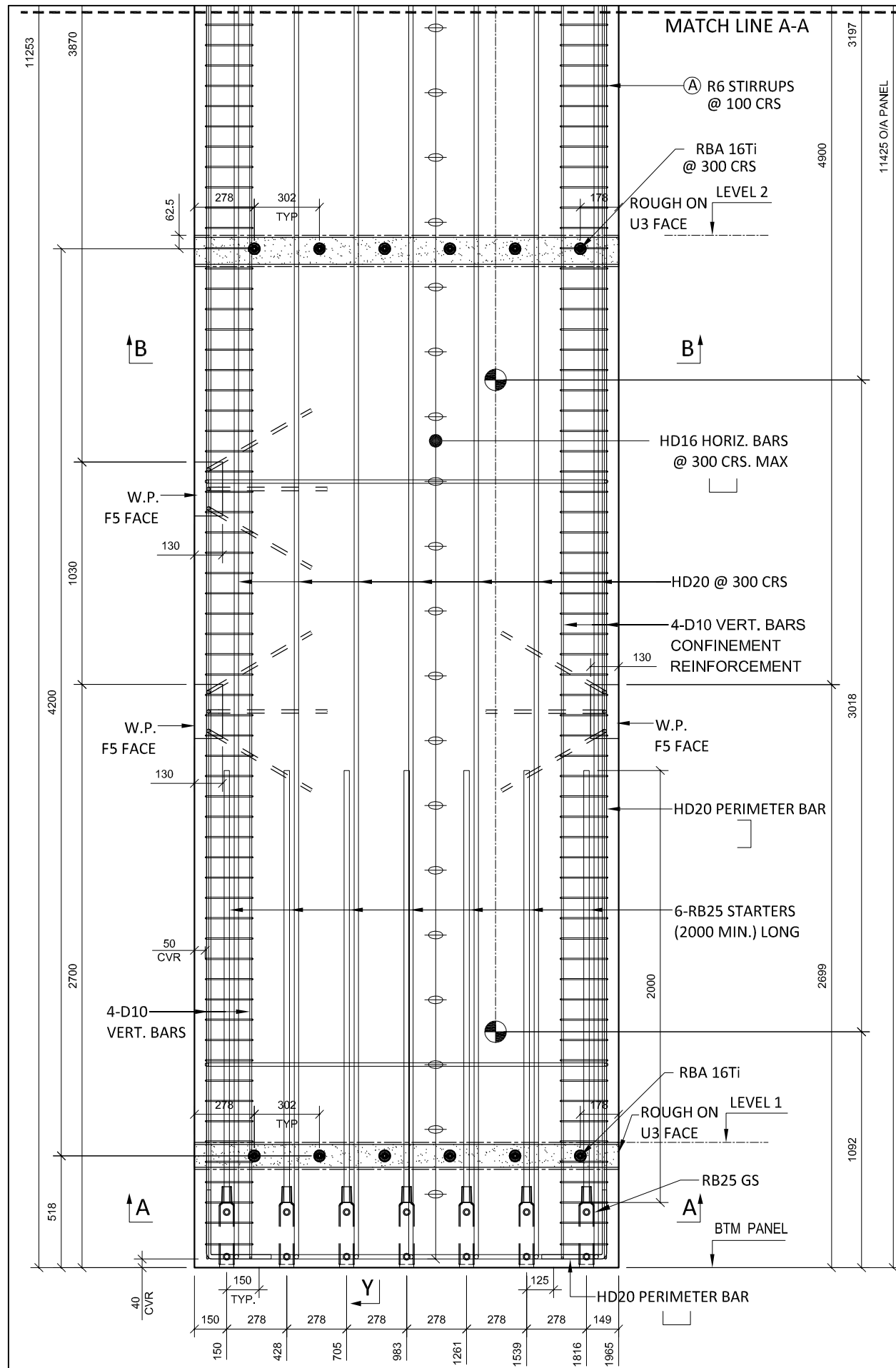
LEGEND:-  
EA = EMBED ANGLE

DRAWING TO BE READ IN CONJUNCTION WITH P-GM-175-27-1

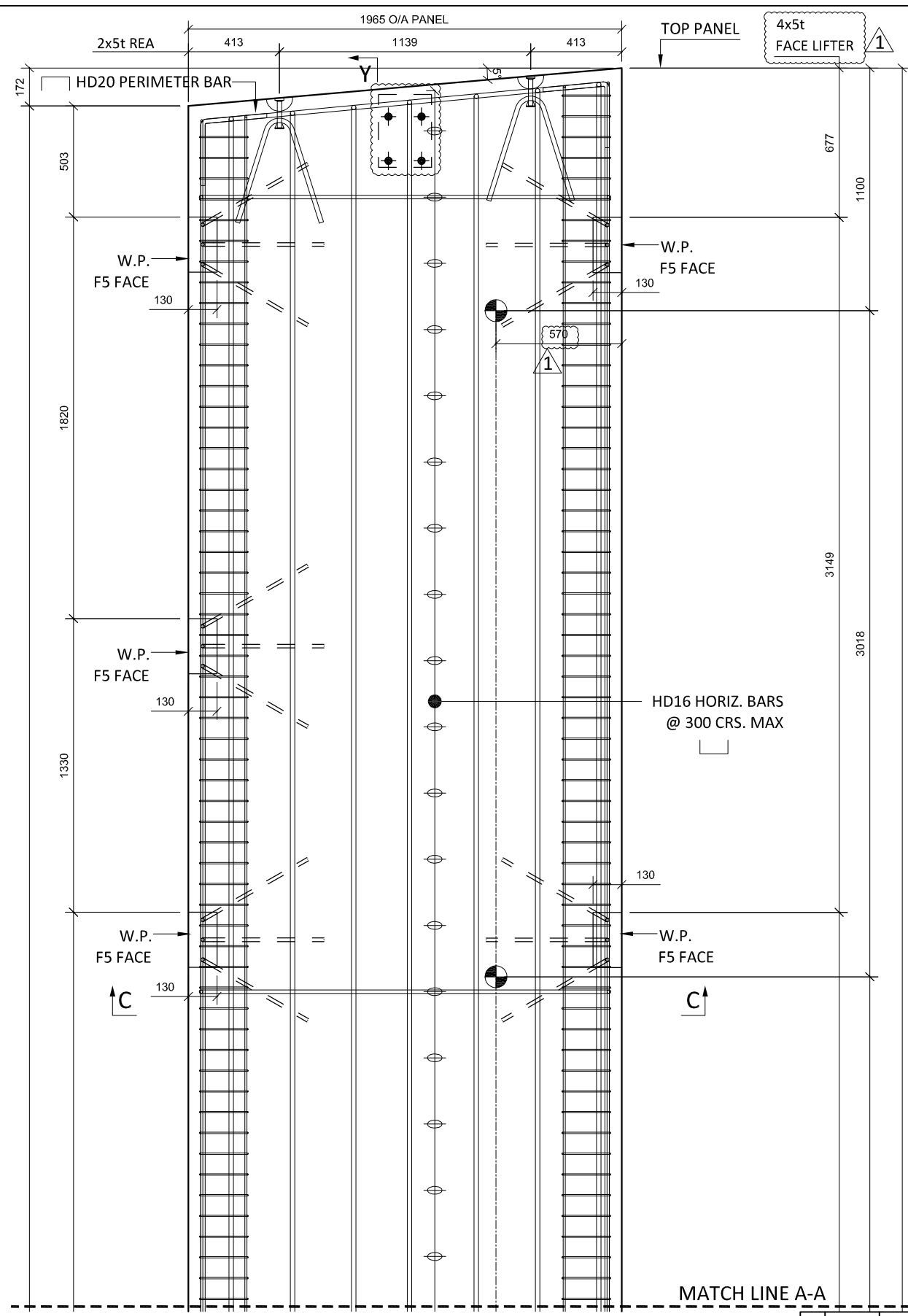
REV.	DATE	DESCRIPTION	DRAWN	APPROVED
1	23/04/18	UPDATED AS PER COMMENT	SS	
0	17/04/18	ISSUE FOR CONSTRUCTION	NS	

Contractor	Job	Title	Job No.	Job No.
	WESTERN SPRINGS COLLEGE REDEVELOPMENT 100 MOTIONS ROAD WESTERN SPRINGS	GYMNASIUM P-GM-175-27	1669	1669
Drawn	NS	Date	21/03/18	1
Checked	SP	Scale (A3)	1:10 1:25	P-GM-175-27-2 Dwg No.

COPYRIGHT RESERVED



**P-GM-175-29 PLAN AS CAST - 175 THK**  
SCALE :- 1:25



INSPECTION & TEST PLAN		
INSPECTED BY		
NAME OF FABRICATOR		
UNIT NO.		
CAST DATE		
CAST TIME		
CONCRETE DOCKET NO.		
CONCRETE SPECIF. (MPa)		

ITEM	FABRICATOR INITIAL	APPROVED Y / N
MOULD CLEANLINESS		
RELEASE OIL		
DIMENSIONS		
FORMWORK FIXED		
OPENING / REBATES CORRECT & POSITION		
<b>HOLD POINT</b>		
REINFORCING CORRECT		
LAPS & SPLICES CORRECT		
SPACING & COVER CORRECT		
<b>HOLD POINT</b>		
LIFTERS POSITIONED CORRECTLY		
CAST - IN ITEMS		
STARTERS, LACING BARS		
<b>APPROVED FOR CASTING</b>		

POST POUR INSPECTION	
INSPECTED BY	
DATE	

ITEM	APPROVED Y / N
SWIFTLIFTS POSITION	
SWIFTLIFTS RECESS CLEANED	
CAST-IN ITEMS CLEANED	
CONCRETE FINISH	
LABELLED (NUMBER / DATED)	
DAMAGE (CRACKS / CHIPPING)	
CLEANLINESS	

ANY ACTION REQUIRED:

**APPROVED FOR DISPATCH**

SLING ANGLE TO BE NOT LESS THAN 60° TO HORIZONTAL WHEN LIFTING

40cvr TO ALL EDGES & FACES (UNO)

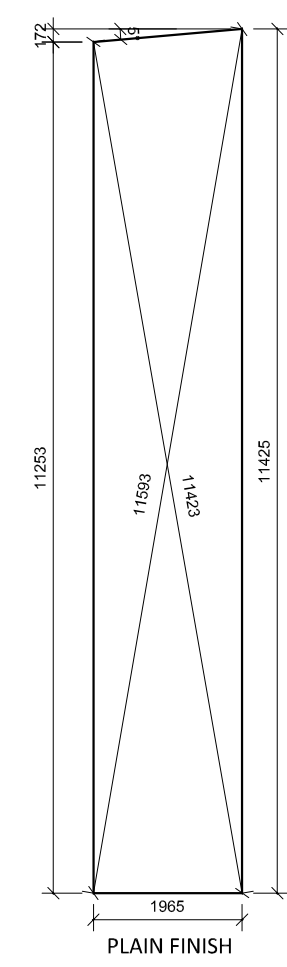
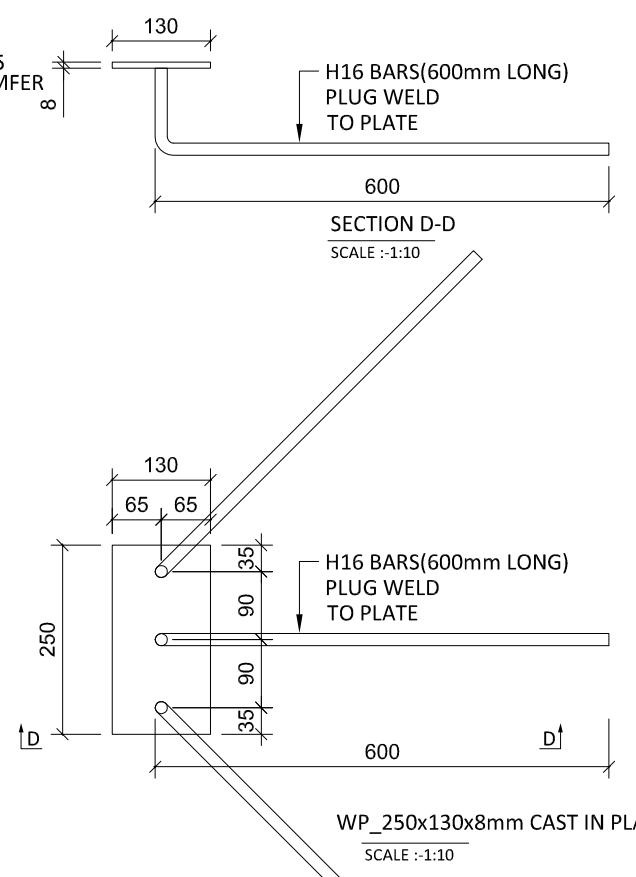
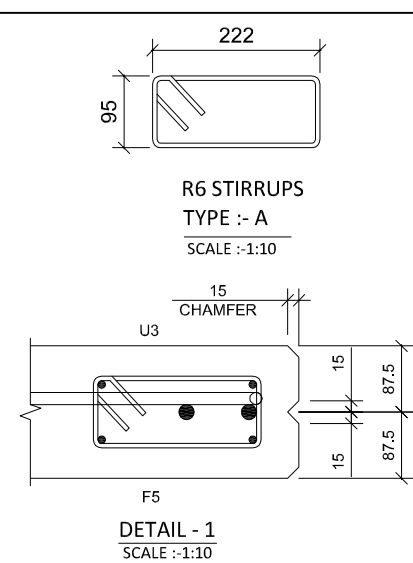
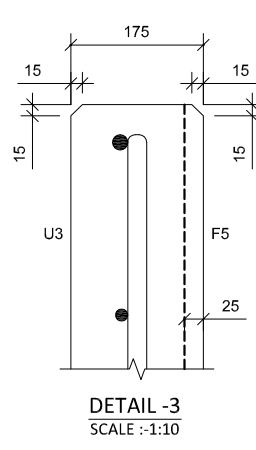
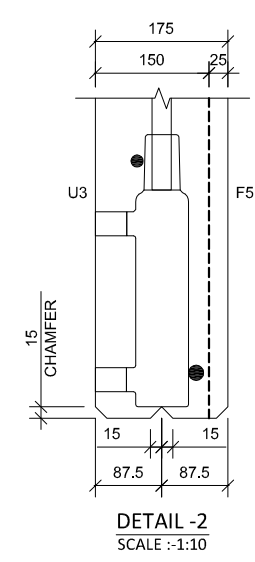
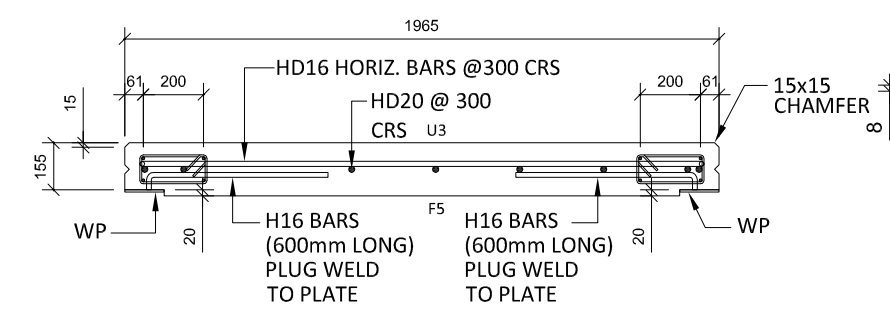
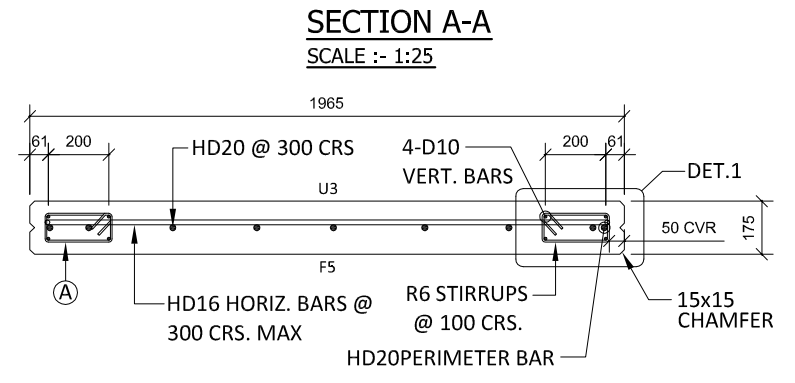
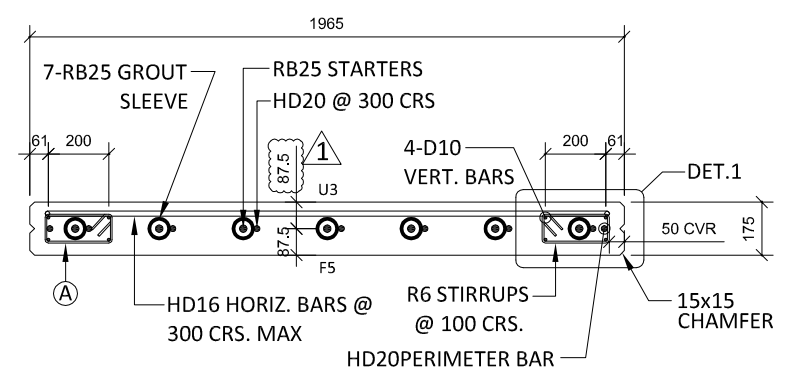
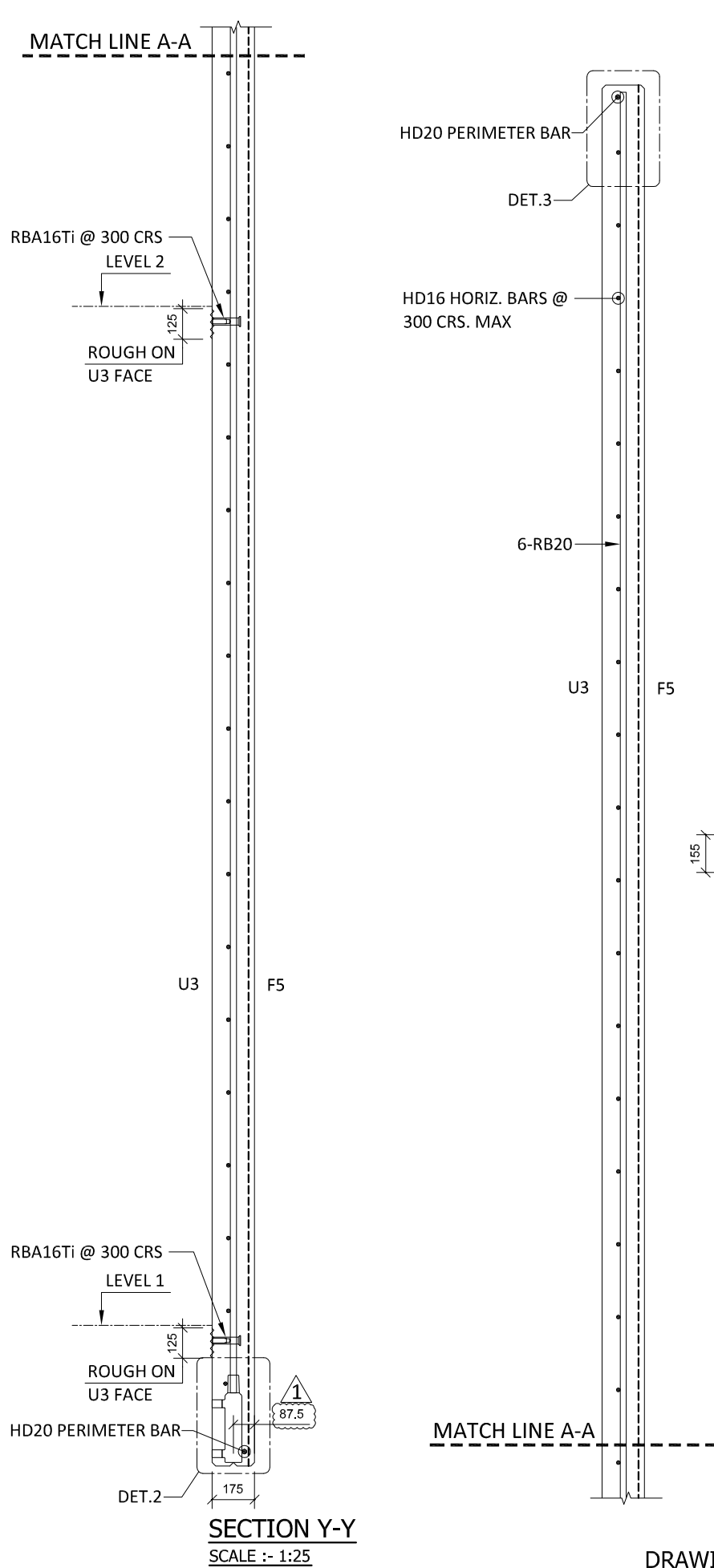
CAST IN SUNDRY  
7xRB25 GROUT SLEEVE.

Area (m <sup>2</sup> )	22.44
Vol (m <sup>3</sup> )	3.93
Wt. (t)	9.82
MPa	40MPa
FINISH	F5/U3 FINISH
NO: OFF	1

REV.	DATE	DESCRIPTION	DRAWN	APPROVED
1	23/04/18	UPDATED AS PER COMMENT	SS	
0	17/04/18	ISSUE FOR CONSTRUCTION	SD	

Contractor	Job	Title	Drawn	SD	Date	21/03/18	Job No.	<b>J669</b>
WESTERN SPRINGS COLLEGE REDEVELOPMENT 100 MOTIONS ROAD WESTERN SPRINGS	WESTERN SPRINGS COLLEGE REDEVELOPMENT 100 MOTIONS ROAD WESTERN SPRINGS	MAIN BLOCK P-GM-175-29	Checked	sp	Scale (A3)	1:25	P-GM-175-29-1	1

COPYRIGHT RESERVED



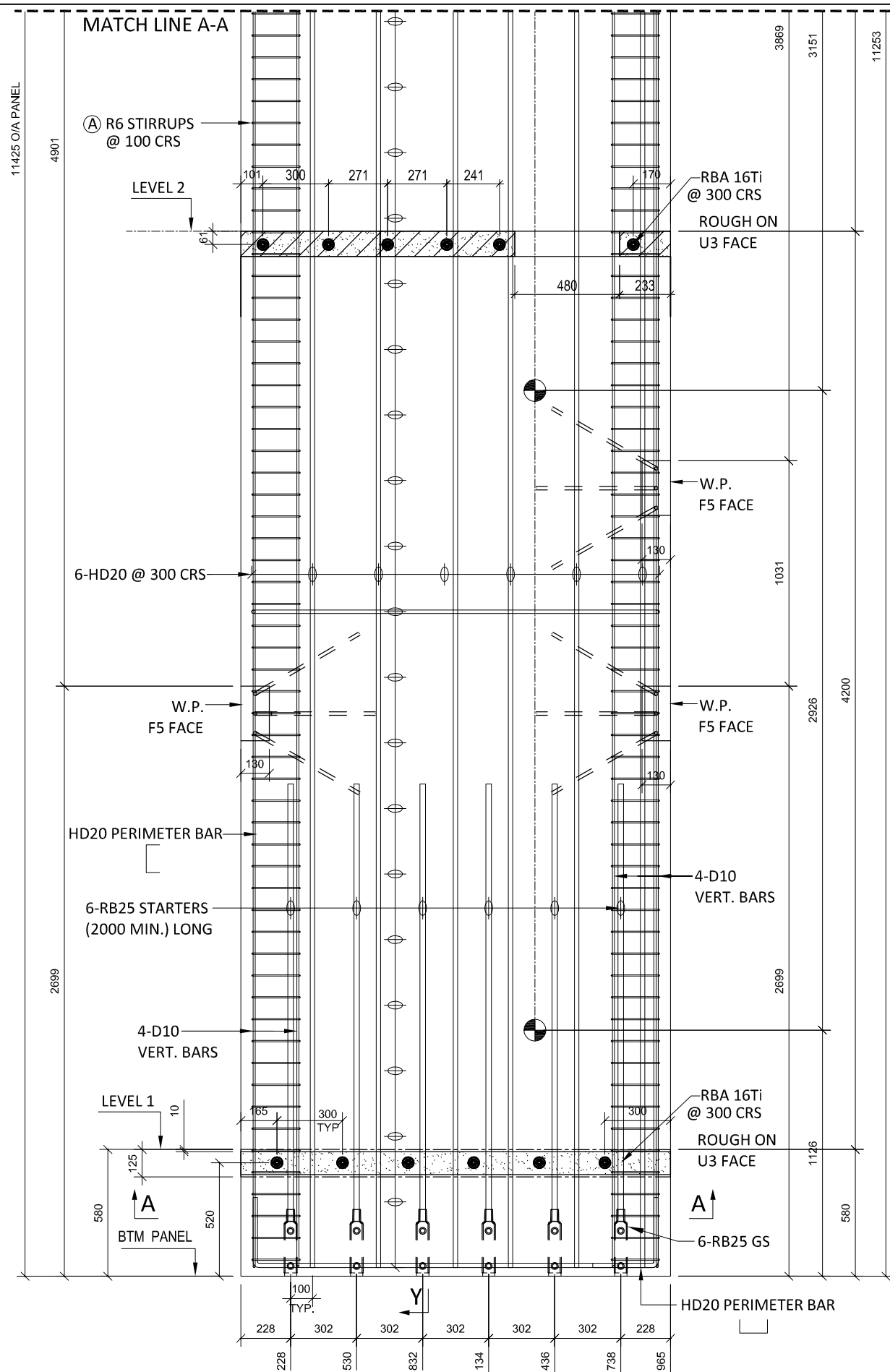
INSPECTION & TEST PLAN		
INSPECTED BY		
NAME OF FABRICATOR		
UNIT NO.		
CAST DATE		
CAST TIME		
CONCRETE DOCKET NO.		
CONCRETE SPECIF. (MPa)		
ITEM	FABRICATOR INITIAL	APPROVED Y / N
MOULD CLEANLINESS		
RELEASE OIL		
DIMENSIONS		
FORMWORK FIXED		
OPENING / REBATES CORRECT & POSITION		
<b>HOLD POINT</b>		
REINFORCING CORRECT		
LAPS & SPLICES CORRECT		
SPACING & COVER CORRECT		
<b>HOLD POINT</b>		
LIFTERS POSITIONED CORRECTLY		
CAST - IN ITEMS		
STARTERS, LACING BARS		
<b>APPROVED FOR CASTING</b>		
POST POUR INSPECTION		
INSPECTED BY		
DATE		
ITEM	APPROVED Y / N	
SWIFTLIFTS POSITION		
SWIFTLIFTS RECESS CLEANED		
CAST-IN ITEMS CLEANED		
CONCRETE FINISH		
LABELLED (NUMBER / DATED)		
DAMAGE (CRACKS / CHIPPING)		
CLEANLINESS		
ANY ACTION REQUIRED:		
<b>APPROVED FOR DISPATCH</b>		
SLING ANGLE TO BE NOT LESS THAN 60° TO HORIZONTAL WHEN LIFTING		
40cvr TO ALL EDGES & FACES (UNO)		
<b>CAST IN SUNDRY</b> 7xRB25 GROUT SLEEVE.		
Area (m <sup>2</sup> )	22.44	
Vol (m <sup>3</sup> )	3.93	
Wt. (t)	9.82	
MPa	40MPa	
FINISH	F5/U3 FINISH	
NO: OFF	1	

REV.	DATE	DESCRIPTION	DRAWN	APPROVED
1	23/04/18	UPDATED AS PER COMMENT	SS	
0	17/04/18	ISSUE FOR CONSTRUCTION	SD	

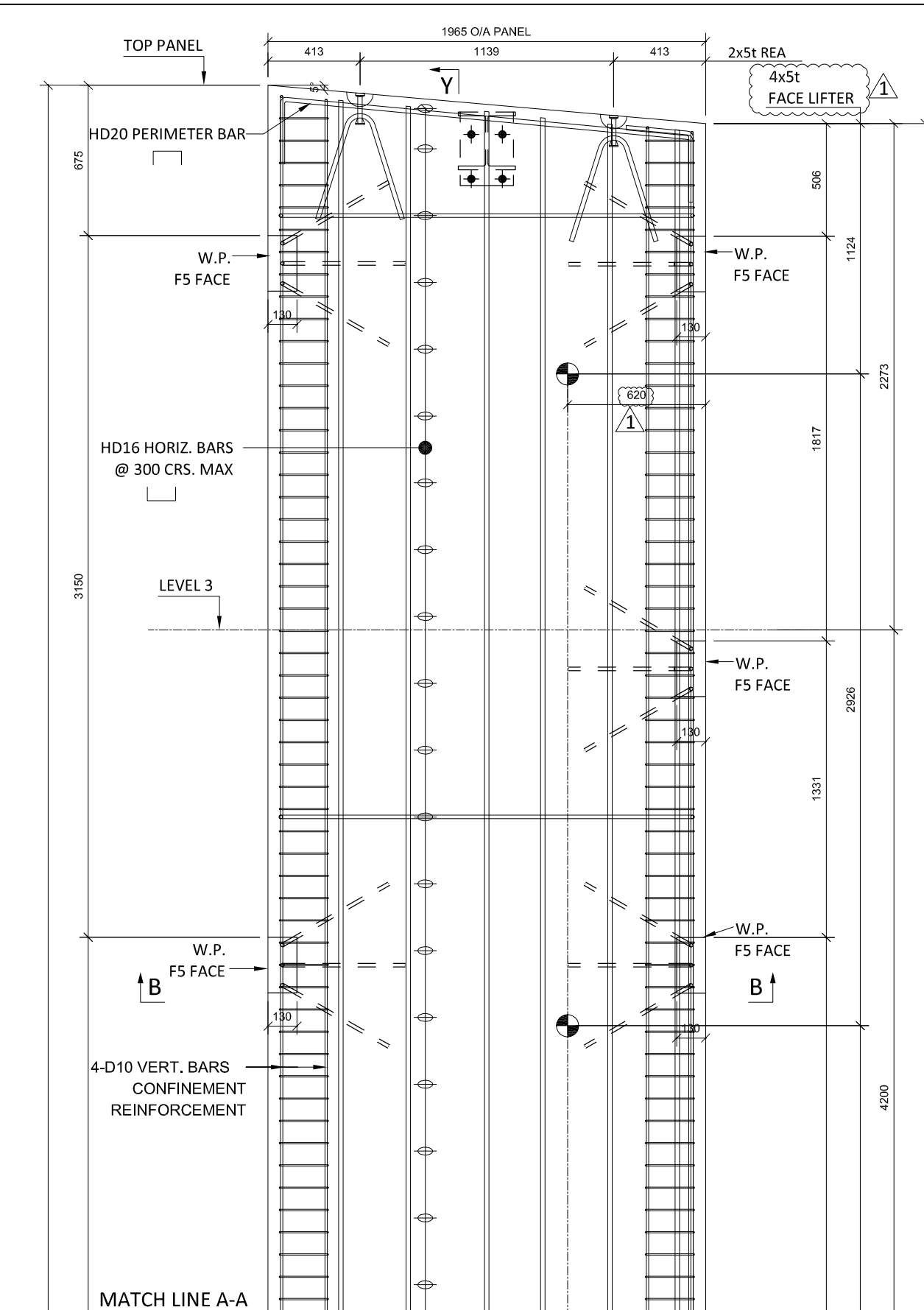
DRAWING TO BE READ IN CONJUNCTION WITH P-GM-175-29-1

Contractor	Job	Title	Drawn	SD	Date	21/03/18	Job No.	J669
	WESTERN SPRINGS COLLEGE REDEVELOPMENT 100 MOTIONS ROAD WESTERN SPRINGS	MAIN BLOCK P-GM-175-29	Checked	sp	Scale (A3)	1:10, 1:25	P-GM-175-29-2	1
							Dwg No.	REV.

COPYRIGHT RESERVED



**P-GM-175-32 PLAN AS CAST - 175 THK**  
SCALE :- 1:25



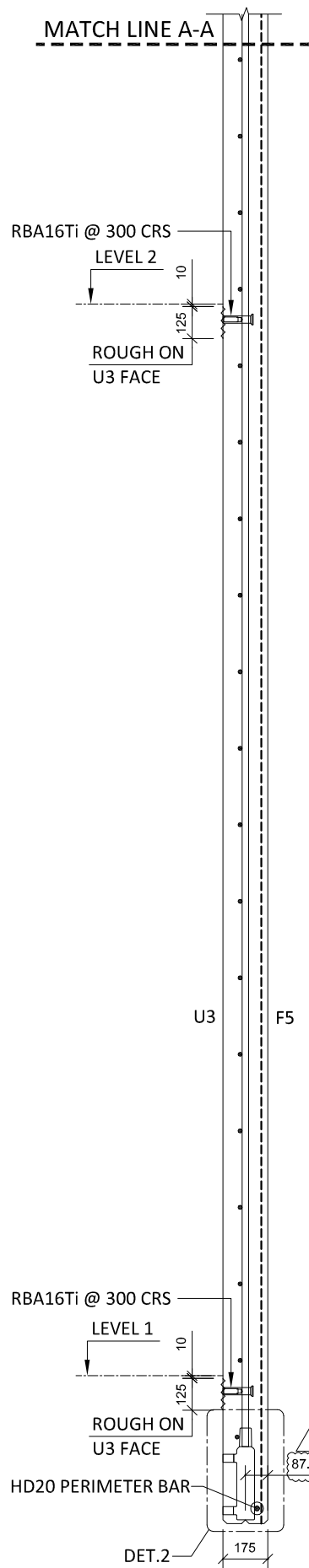
DRAWING TO BE READ IN CONJUNCTION WITH P-GM-175-32-2

INSPECTION & TEST PLAN		
INSPECTED BY		
NAME OF FABRICATOR		
UNIT NO.		
CAST DATE		
CAST TIME		
CONCRETE DOCKET NO.		
CONCRETE SPECIF. (MPa)		
ITEM	FABRICATOR INITIAL	APPROVED Y / N
MOULD CLEANLINESS		
RELEASE OIL		
DIMENSIONS		
FORMWORK FIXED		
OPENING / REBATES CORRECT & POSITION		
<b>HOLD POINT</b>		
REINFORCING CORRECT		
LAPS & SPLICES CORRECT		
SPACING & COVER CORRECT		
<b>HOLD POINT</b>		
LIFTERS POSITIONED CORRECTLY		
CAST - IN ITEMS		
STARTERS, LACING BARS		
<b>APPROVED FOR CASTING</b>		
<b>POST POUR INSPECTION</b>		
INSPECTED BY		
DATE		
ITEM	APPROVED Y / N	
SWIFTLIFTS POSITION		
SWIFTLIFTS RECESS CLEANED		
CAST-IN ITEMS CLEANED		
CONCRETE FINISH		
LABELLED (NUMBER / DATED)		
DAMAGE (CRACKS / CHIPPING)		
CLEANLINESS		
ANY ACTION REQUIRED:		
<b>APPROVED FOR DISPATCH</b>		
SLING ANGLE TO BE NOT LESS THAN 60° TO HORIZONTAL WHEN LIFTING		
40cvr TO ALL EDGES & FACES (UNO)		
CAST IN SUNDRY 6xRB25 GROUT SLEEVE.		
Area (m <sup>2</sup> )	22.48	
Vol (m <sup>3</sup> )	3.93	
Wt. (t)	9.83	
MPa	40MPa	
FINISH	F5/U3 FINISH	
NO: OFF	1	

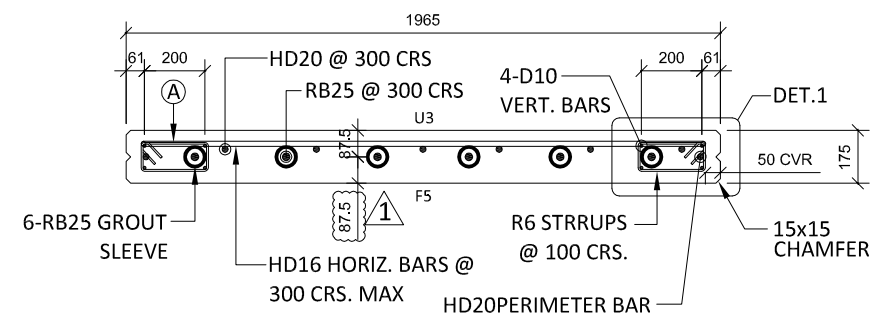
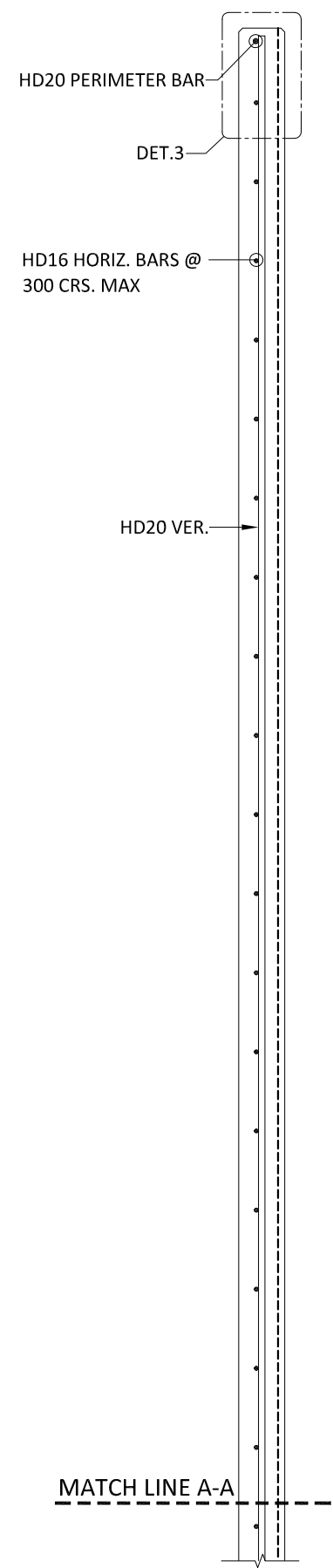
REV.	DATE	DESCRIPTION	DRAWN	APPROVED
1	23/04/18	UPDATED AS PER COMMENT	SS	
0	17/04/18	ISSUE FOR CONSTRUCTION	SD	

Contractor	Job	Title	Drawn	SD	Date	27/03/18	Job No.	<b>J669</b>
WESTERN SPRINGS COLLEGE REDEVELOPMENT 100 MOTIONS ROAD WESTERN SPRINGS	WESTERN SPRINGS COLLEGE REDEVELOPMENT 100 MOTIONS ROAD WESTERN SPRINGS	MAIN BLOCK P-GM-175-32	Checked	sp	Scale (A3)	1:25	P-GM-175-32-1	1

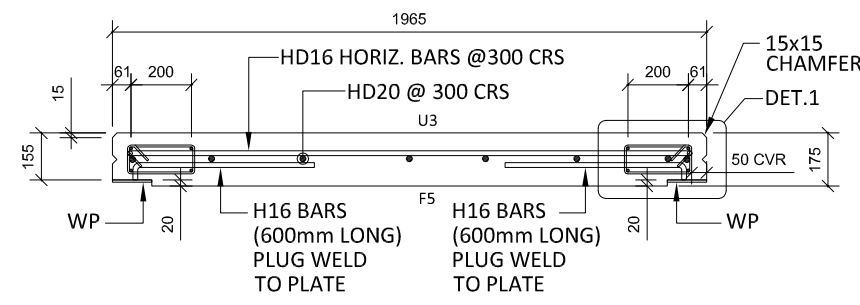
COPYRIGHT RESERVED



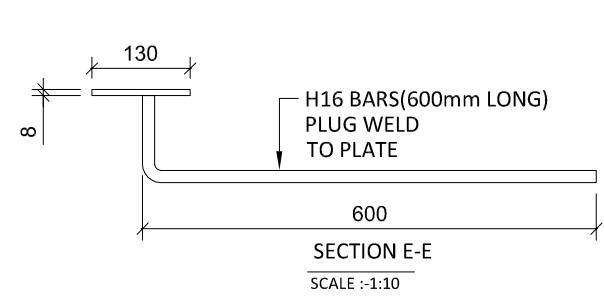
**SECTION Y-Y**  
SCALE :- 1:25



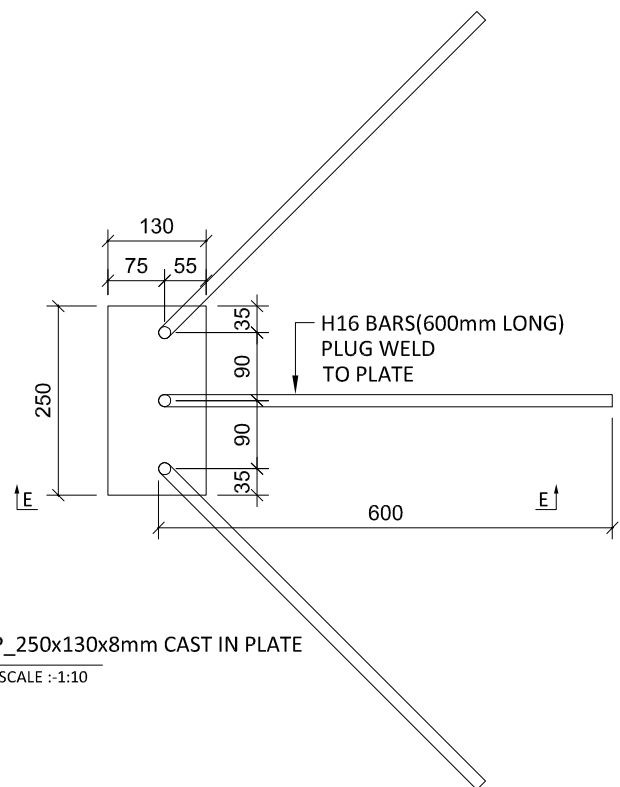
**SECTION A-A**  
SCALE :- 1:25



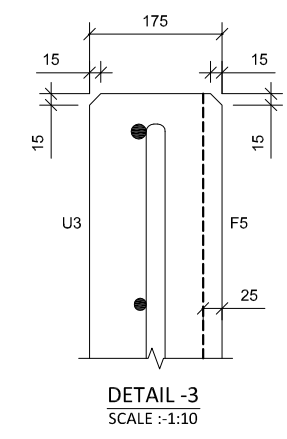
**SECTION B-B**  
SCALE :- 1:25



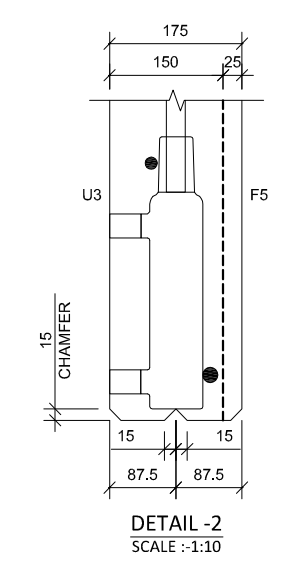
**SECTION E-E**  
SCALE :-1:10



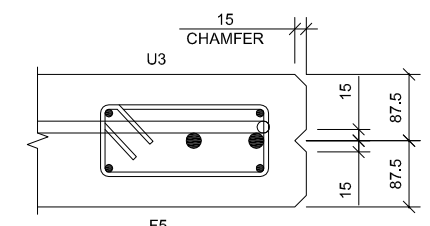
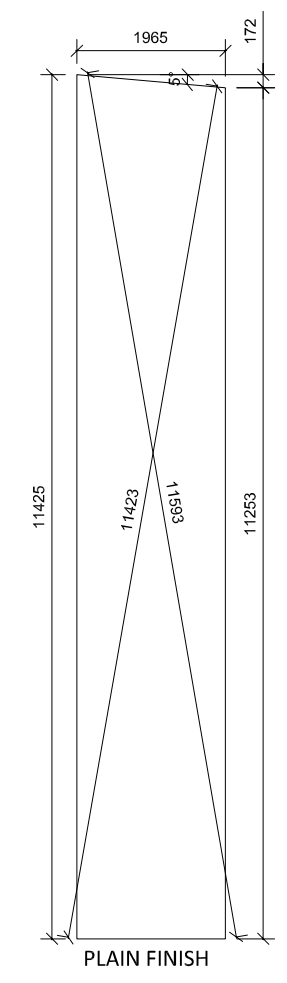
WP\_250x130x8mm CAST IN PLATE  
SCALE :-1:10



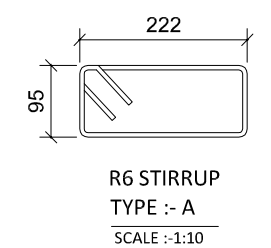
**DETAIL -3**  
SCALE :-1:10



**DETAIL -2**  
SCALE :-1:10



**DETAIL -1**  
SCALE :-1:10



**R6 STIRRUP**  
TYPE :- A  
SCALE :-1:10

INSPECTION & TEST PLAN		
INSPECTED BY		
NAME OF FABRICATOR		
UNIT NO.		
CAST DATE		
CAST TIME		
CONCRETE DOCKET NO.		
CONCRETE SPECIF. (MPa)		

ITEM	FABRICATOR INITIAL	APPROVED Y / N
MOULD CLEANLINESS		
RELEASE OIL		
DIMENSIONS		
FORMWORK FIXED		
OPENING / REBATES CORRECT & POSITION		
<b>HOLD POINT</b>		
REINFORCING CORRECT		
LAPS & SPLICES CORRECT		
SPACING & COVER CORRECT		
<b>HOLD POINT</b>		
LIFTERS POSITIONED CORRECTLY		
CAST - IN ITEMS		
STARTERS, LACING BARS		
<b>APPROVED FOR CASTING</b>		

POST POUR INSPECTION	
INSPECTED BY	
DATE	

ITEM	APPROVED Y / N
SWIFTLIFTS POSITION	
SWIFTLIFTS RECESS CLEANED	
CAST-IN ITEMS CLEANED	
CONCRETE FINISH	
LABELLED (NUMBER / DATED)	
DAMAGE (CRACKS / CHIPPING)	
CLEANLINESS	

ANY ACTION REQUIRED:	
<b>APPROVED FOR DISPATCH</b>	

SLING ANGLE TO BE NOT LESS THAN 60° TO HORIZONTAL WHEN LIFTING

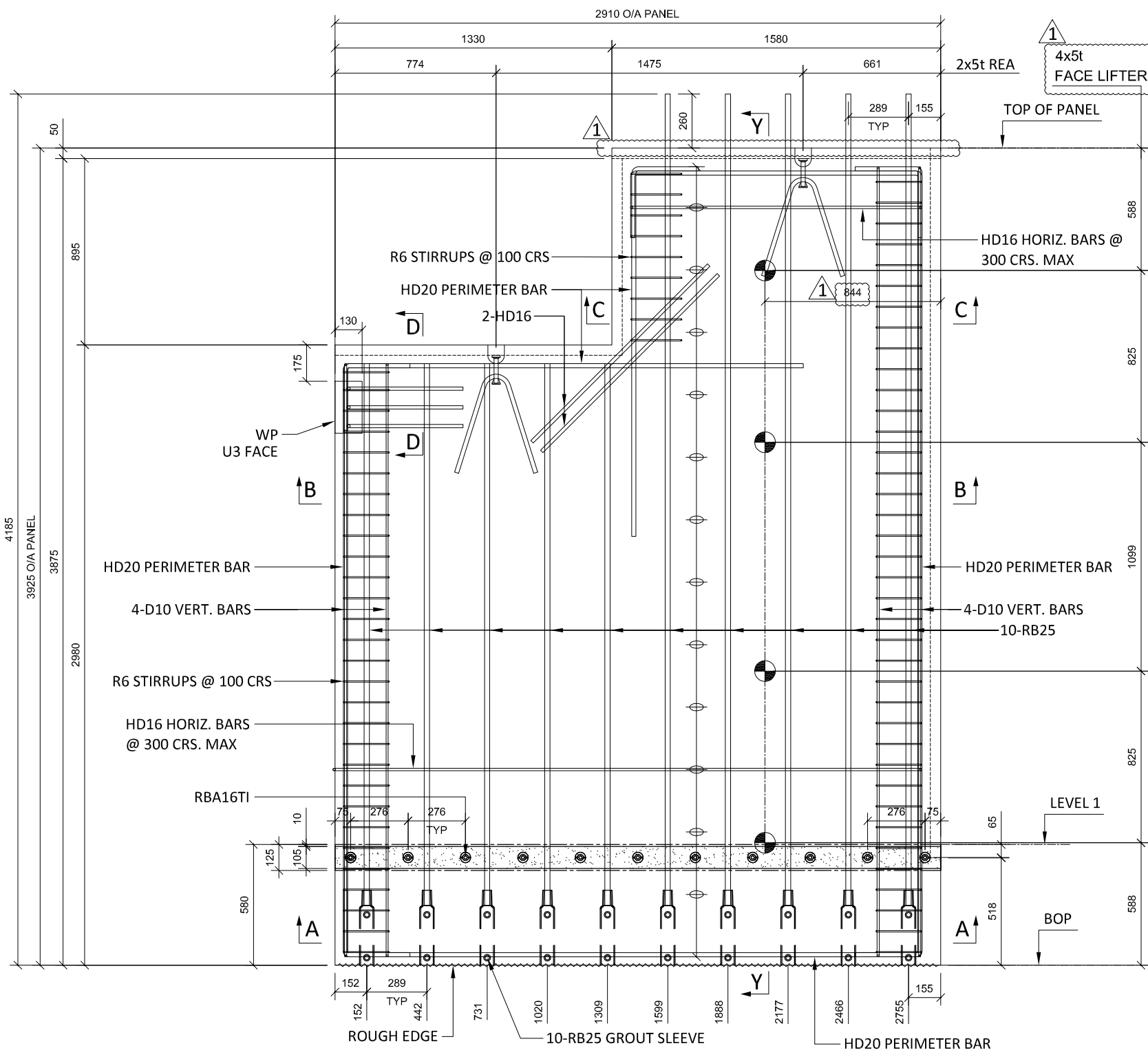
40cvr TO ALL EDGES & FACES (UNO)  
CAST IN SUNDRY  
6xRB25 GROUT SLEEVE.

Area (m <sup>2</sup> )	22.48
Vol (m <sup>3</sup> )	3.93
Wt. (t)	9.83
MPa	40MPa
FINISH	F5/U3 FINISH
NO: OFF	1

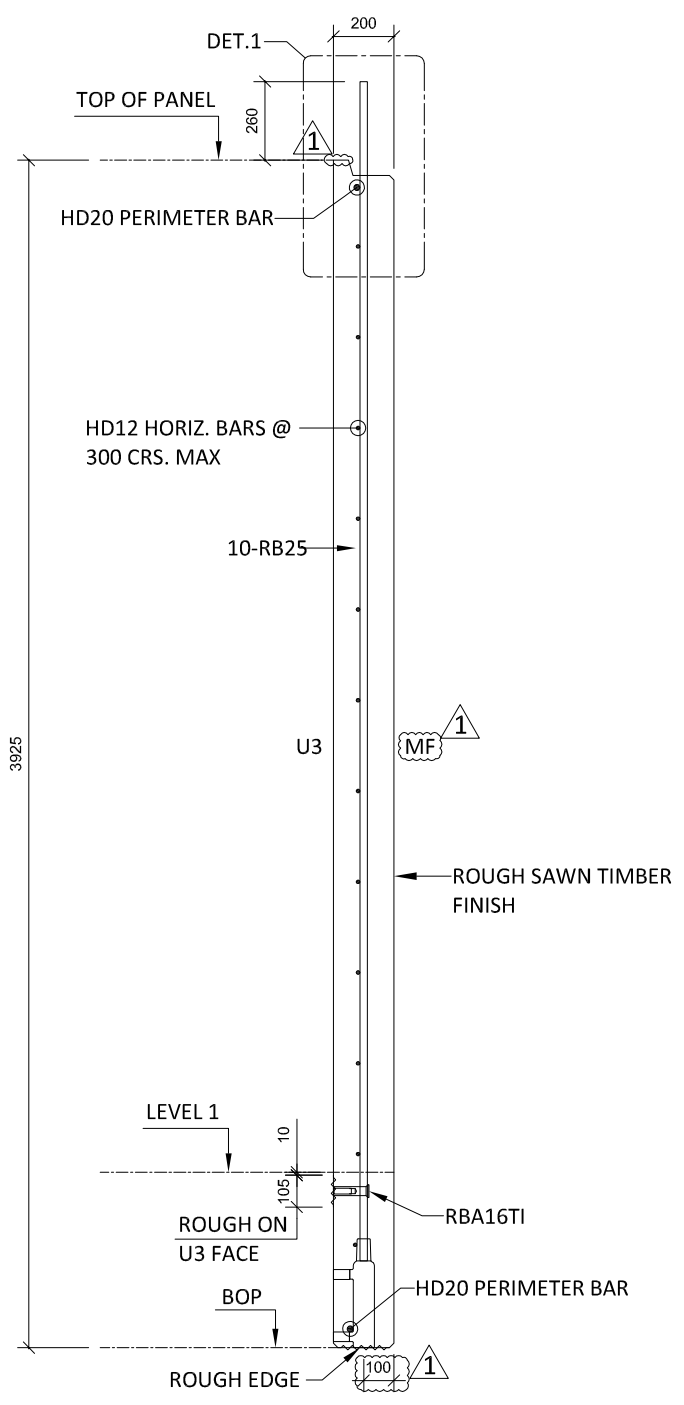
REV.	DATE	DESCRIPTION	DRAWN	APPROVED
1	23/04/18	UPDATED AS PER COMMENT	SS	
0	17/04/18	ISSUE FOR CONSTRUCTION	SD	

DRAWING TO BE READ IN CONJUNCTION WITH P-GM-175-32-1

Contractor	Job	WESTERN SPRINGS COLLEGE REDEVELOPMENT 100 MOTIONS ROAD WESTERN SPRINGS	Title	MAIN BLOCK P-GM-175-32	COPYRIGHT RESERVED	Drawn	SD	Date	27/03/18	Job No.	J669
						Checked	sp	Scale (A3)	1:10, 1:25	P-GM-175-32-2	1



**P-GM-200-01 PLAN AS CAST - 200 THK**  
SCALE :- 1:25



**SECTION Y-Y**  
SCALE :- 1:25

**ROUGH SAWN TIMBER FINISH**

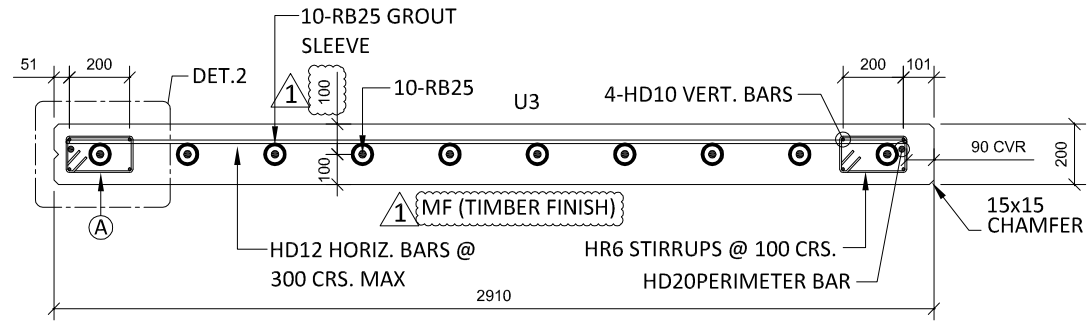
DRAWING TO BE READ IN CONJUNCTION WITH P-GM-200-01-2

INSPECTION & TEST PLAN		
INSPECTED BY		
NAME OF FABRICATOR		
UNIT NO.		
CAST DATE		
CAST TIME		
CONCRETE DOCKET NO.		
CONCRETE SPECIF. (MPa)		
ITEM	FABRICATOR INITIAL	APPROVED Y / N
MOULD CLEANLINESS		
RELEASE OIL		
DIMENSIONS		
FORMWORK FIXED		
OPENING / REBATES CORRECT & POSITION		
<b>HOLD POINT</b>		
REINFORCING CORRECT		
LAPS & SPLICES CORRECT		
SPACING & COVER CORRECT		
<b>HOLD POINT</b>		
LIFTERS POSITIONED CORRECTLY		
CAST - IN ITEMS		
STARTERS, LACING BARS		
<b>APPROVED FOR CASTING</b>		
POST POUR INSPECTION		
INSPECTED BY		
DATE		
ITEM	APPROVED Y / N	
SWIFTLIFTS POSITION		
SWIFTLIFTS RECESS CLEANED		
CAST-IN ITEMS CLEANED		
CONCRETE FINISH		
LABELLED (NUMBER / DATED)		
DAMAGE (CRACKS / CHIPPING)		
CLEANLINESS		
ANY ACTION REQUIRED: ROUGH SAWN TIMBER FINISH		
<b>APPROVED FOR DISPATCH</b>		
SLING ANGLE TO BE NOT LESS THAN 60° TO HORIZONTAL WHEN LIFTING		
40cvr TO ALL EDGES & FACES (UNO)		
CAST IN SUNDRY 10xRB25 GROUT SLEEVE.		
Area (m <sup>2</sup> )	11.28	
Vol (m <sup>3</sup> )	2.26	
Wt. (t)	5.64	
MPa	40MPa	
FINISH	MF (TIMBER FINISH 45°) /U3 FINISH	
NO: OFF	1	

REV.	DATE	DESCRIPTION	DRAWN	APPROVED
1	23/04/18	UPDATED AS PER COMMENT	SS	
0	17/04/18	ISSUE FOR CONSTRUCTION	JM	

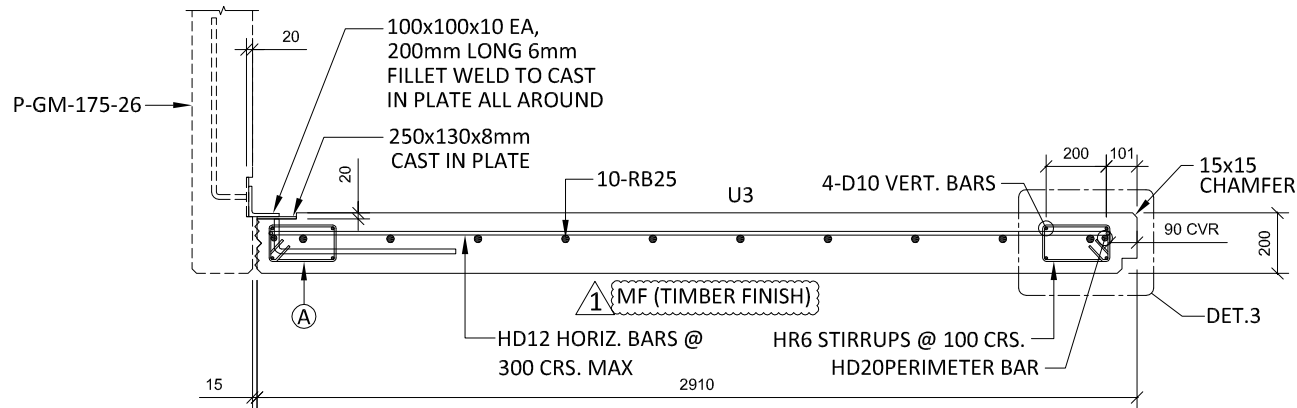
COPYRIGHT RESERVED	Contractor	Job	WESTERN SPRINGS COLLEGE REDEVELOPMENT 100 MOTIONS ROAD WESTERN SPRINGS	Title	GYMNASIUM P-GM-200-01	Drawn	JM	Date	21/03/18	Job No.	<b>J669</b>
	Checked	SP	Scale (A3)	1:25	P-GM-200-01-1	1	REV.				





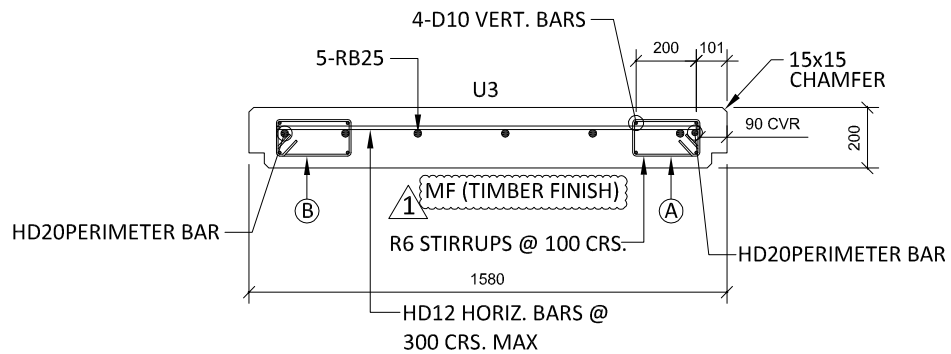
**SECTION A-A**

SCALE :- 1:25



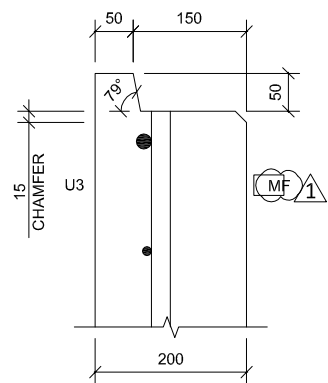
**SECTION B-B**

SCALE :- 1:25

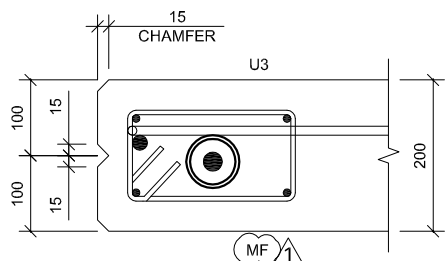


**SECTION C-C**

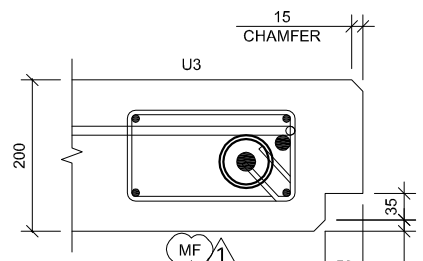
SCALE :- 1:25



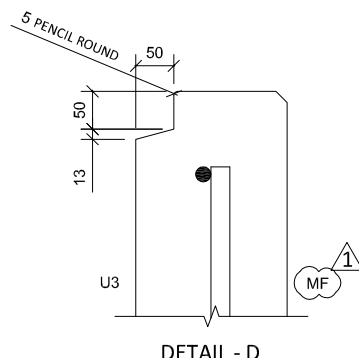
**DETAIL - 1**  
SCALE :- 1:10



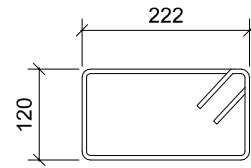
**DETAIL - 2**  
SCALE :- 1:10



**DETAIL - 3**  
SCALE :- 1:10



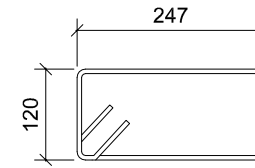
**DETAIL - D**  
SCALE :- 1:10



**R6 STIRRUPS**

TYPE :- A

SCALE :- 1:10

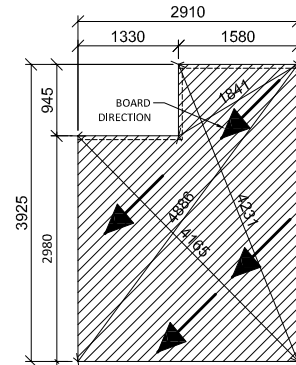


**R6 STIRRUPS**

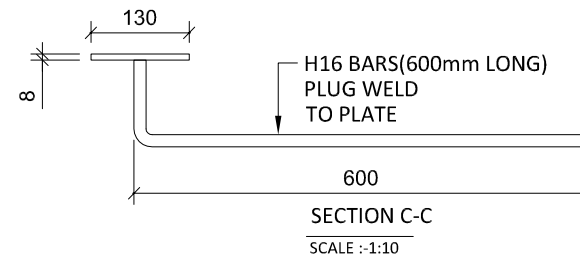
TYPE :- B

SCALE :- 1:10

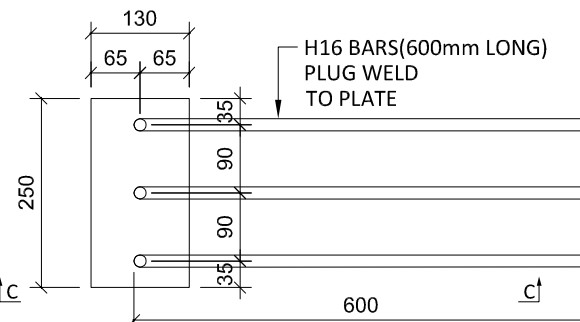
**ROUGH SAWN TIMBER INLAY  
VIEWED AS CAST**



ROUGH SAWN TIMBER  
BOARDS  
RANDOM LOCATIONS.  
BOARD WIDTHS: 75mm,  
100mm and 150mm



**SECTION C-C**  
SCALE :- 1:10



**250x130x8mm CAST IN PLATE**  
SCALE :- 1:10

**INSPECTION & TEST PLAN**

INSPECTED BY	
NAME OF FABRICATOR	
UNIT NO.	
CAST DATE	
CAST TIME	
CONCRETE DOCKET NO.	
CONCRETE SPECIF. (MPa)	

ITEM	FABRICATOR INITIAL	APPROVED Y / N
MOULD CLEANLINESS		
RELEASE OIL		
DIMENSIONS		
FORMWORK FIXED		
OPENING / REBATES CORRECT & POSITION		
<b>HOLD POINT</b>		
REINFORCING CORRECT		
LAPS & SPLICES CORRECT		
SPACING & COVER CORRECT		
<b>HOLD POINT</b>		
LIFTERS POSITIONED CORRECTLY		
CAST - IN ITEMS		
STARTERS, LACING BARS		
<b>APPROVED FOR CASTING</b>		

**POST POUR INSPECTION**

INSPECTED BY	
DATE	

ITEM	APPROVED Y / N
SWIFTLIFTS POSITION	
SWIFTLIFTS RECESS CLEANED	
CAST-IN ITEMS CLEANED	
CONCRETE FINISH	
LABELLED (NUMBER / DATED)	
DAMAGE (CRACKS / CHIPPING)	
CLEANLINESS	

ANY ACTION REQUIRED:  
ROUGH SAWN TIMBER FINISH

**APPROVED FOR DISPATCH**

SLING ANGLE TO BE NOT LESS THAN 60° TO HORIZONTAL WHEN LIFTING

40cvr TO ALL EDGES & FACES (UNO)

**CAST IN SUNDRY**  
10xRB25 GROUT SLEEVE.

Area (m <sup>2</sup> )	11.28
Vol (m <sup>3</sup> )	2.26
Wt. (t)	5.64
MPa	40MPa
FINISH	MF (TIMBER FINISH 45°) /U3 FINISH
NO: OFF	1

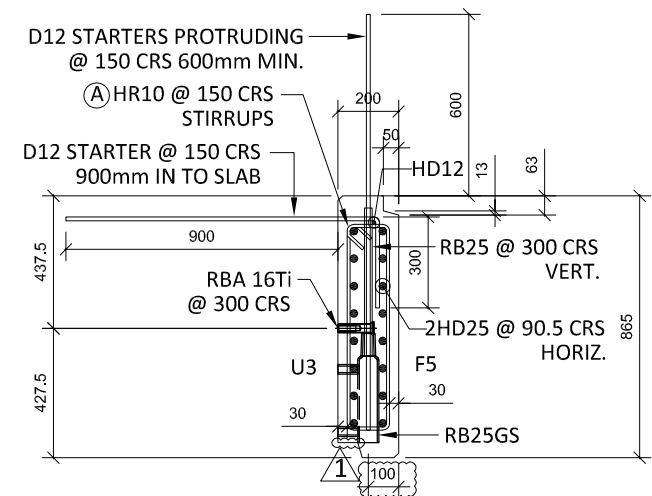
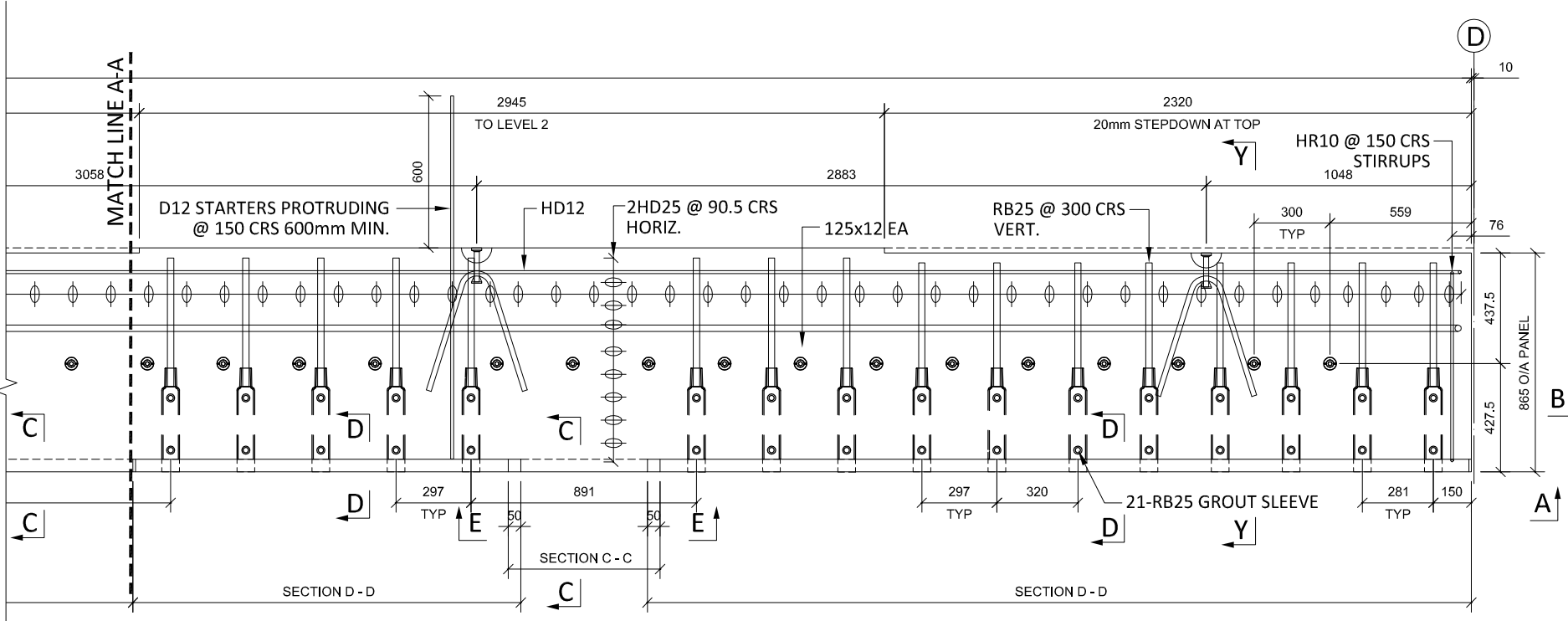
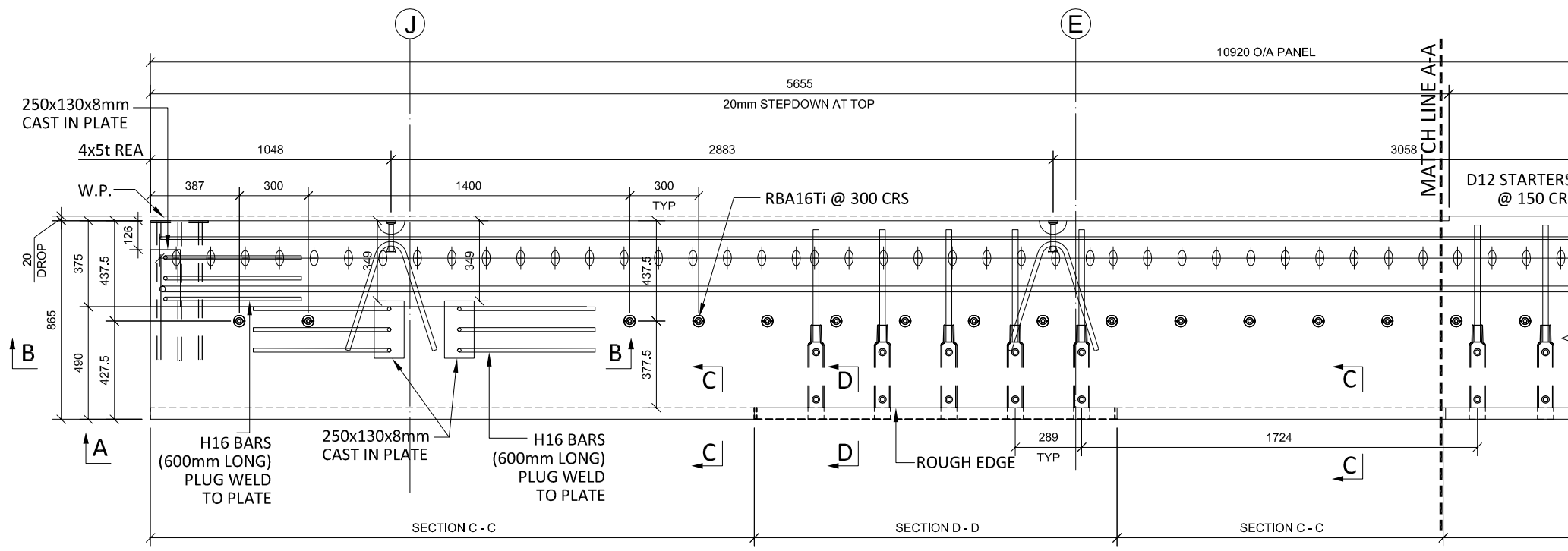
REV.	DATE	DESCRIPTION	DRAWN	APPROVED
1	23/04/18	UPDATED AS PER COMMENT	JM	
0	17/04/18	ISSUE FOR CONSTRUCTION	JM	

**ROUGH SAWN TIMBER FINISH**

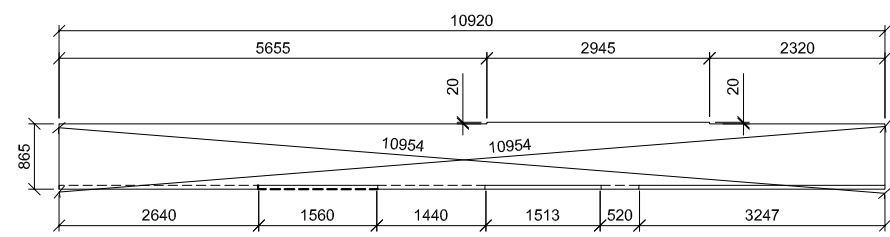
DRAWING TO BE READ IN CONJUNCTION WITH P-GM-200-01-1

Contractor	Job	Title	Drawn	Date	Job No.
	WESTERN SPRINGS COLLEGE REDEVELOPMENT 100 MOTIONS ROAD WESTERN SPRINGS	GYMNASIUM P-GM-200-01	JM	21/03/18	J669
			Checked	Scale (A3)	P-GM-200-01-2
			SP	1:10 1:25	Dwg No. 1

COPYRIGHT RESERVED



**P-GM-200-02A PLAN AS CAST - 200 THK**  
SCALE :- 1:25



INSPECTION & TEST PLAN		
INSPECTED BY		
NAME OF FABRICATOR		
UNIT NO.		
CAST DATE		
CAST TIME		
CONCRETE DOCKET NO.		
CONCRETE SPECIF. (MPa)		

ITEM	FABRICATOR INITIAL	APPROVED Y / N
MOULD CLEANLINESS		
RELEASE OIL		
DIMENSIONS		
FORMWORK FIXED		
OPENING / REBATES CORRECT & POSITION		
<b>HOLD POINT</b>		
REINFORCING CORRECT		
LAPS & SPLICES CORRECT		
SPACING & COVER CORRECT		
<b>HOLD POINT</b>		
LIFTERS POSITIONED CORRECTLY		
CAST - IN ITEMS		
STARTERS, LACING BARS		
<b>APPROVED FOR CASTING</b>		

POST POUR INSPECTION	
INSPECTED BY	
DATE	

ITEM	APPROVED Y / N
SWIFTLIFTS POSITION	
SWIFTLIFTS RECESS CLEANED	
CAST-IN ITEMS CLEANED	
CONCRETE FINISH	
LABELED (NUMBER / DATED)	
DAMAGE (CRACKS / CHIPPING)	
CLEANLINESS	

ANY ACTION REQUIRED:	
<b>APPROVED FOR DISPATCH</b>	

SLING ANGLE TO BE NOT LESS THAN 60° TO HORIZONTAL WHEN LIFTING

40cvr TO ALL EDGES & FACES (UNO)

**CAST IN SUNDRY**  
21xRB25 GROUT SLEEVE.

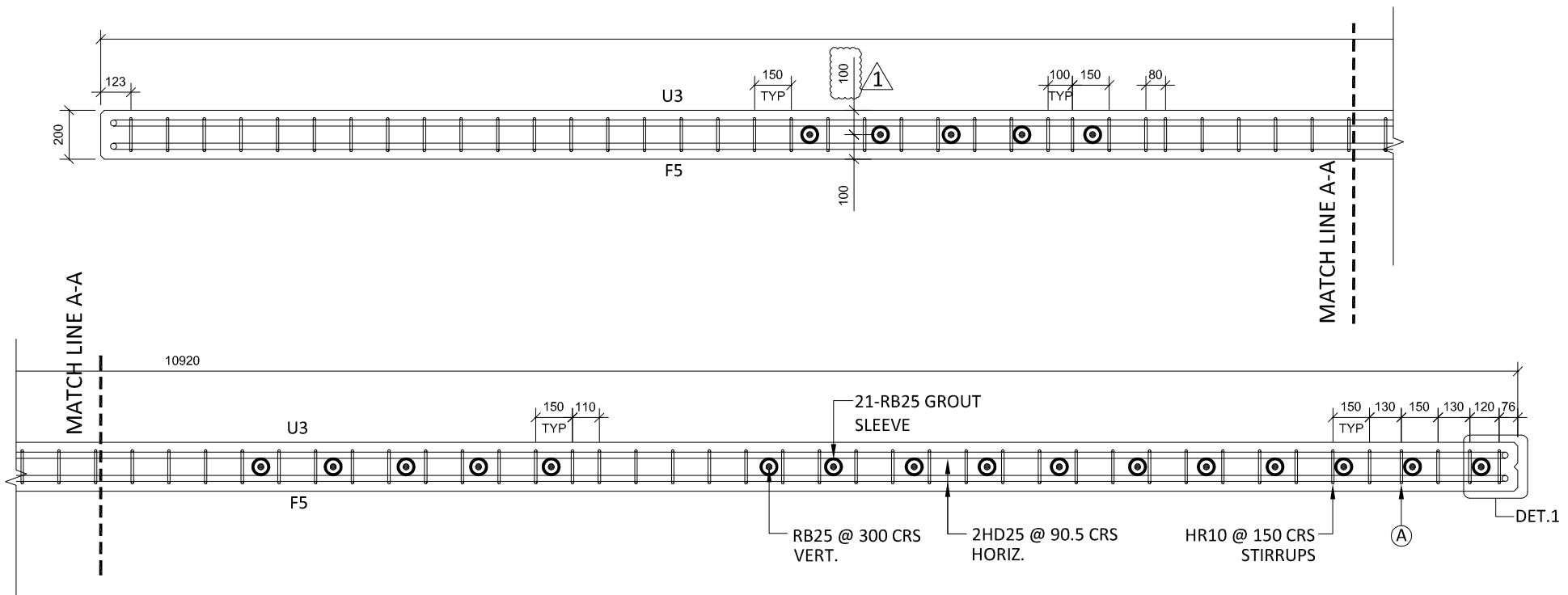
Area (m <sup>2</sup> )	9.35
Vol (m <sup>3</sup> )	1.81
Wt. (t)	4.19
MPa	40MPa
FINISH	F5/U3 FINISH
NO: OFF	1

REV.	DATE	DESCRIPTION	DRAWN	APPROVED
1	23/04/18	UPDATED AS PER COMMENT	SS	
0	17/04/18	ISSUE FOR CONSTRUCTION	SS	

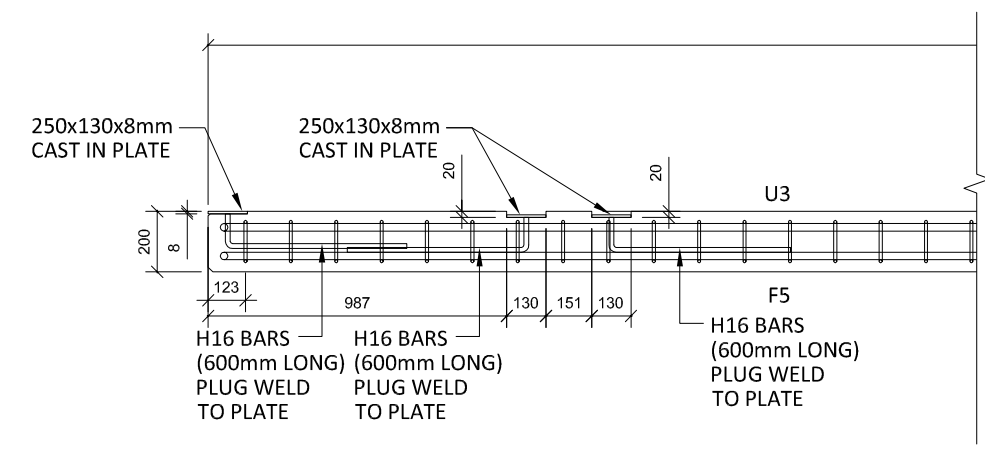
DRAWING TO BE READ IN CONJUNCTION WITH P-GM-200-02A-2

Contractor	Job	Title	Drawn	SS	Date	21/03/18	Job No.	<b>J669</b>
WESTERN SPRINGS COLLEGE REDEVELOPMENT 100 MOTIONS ROAD WESTERN SPRINGS	GYMNASIUM P-GM-200-02A	Checked	SP	Scale (A3)	1:25	P-GM-200-02A-1	1	REV.

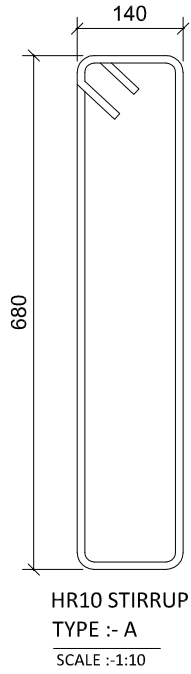
COPYRIGHT RESERVED



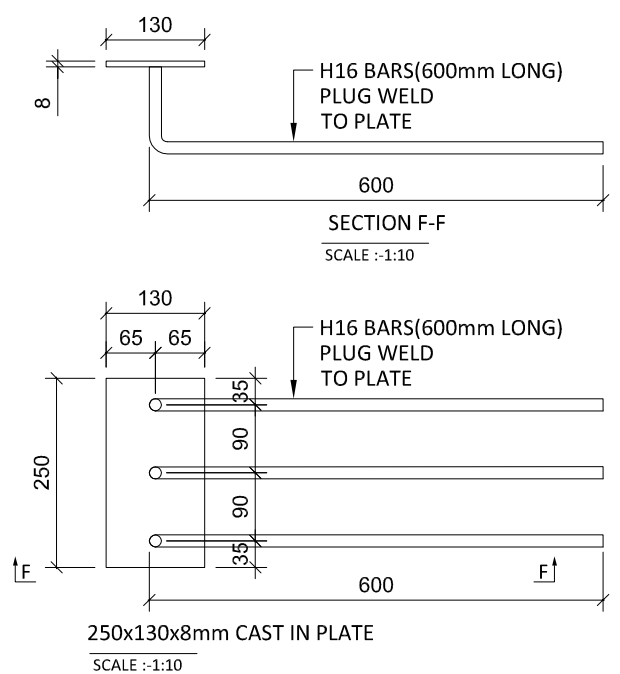
**SECTION A-A**  
SCALE :- 1:25



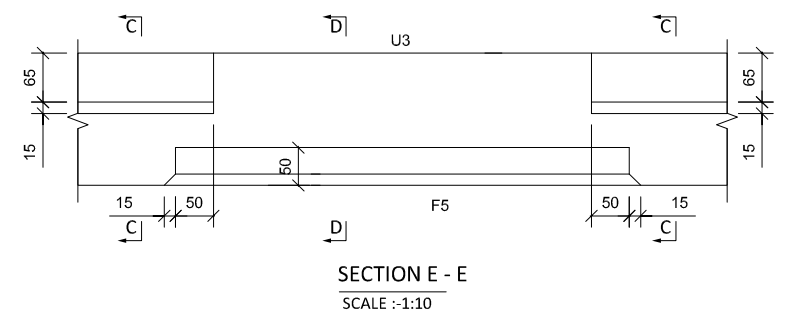
**SECTION B-B**  
SCALE :- 1:25



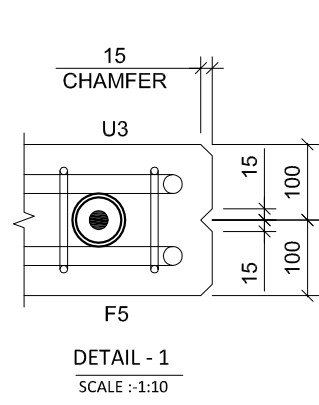
HR10 STIRRUP  
TYPE -- A  
SCALE :-1:10



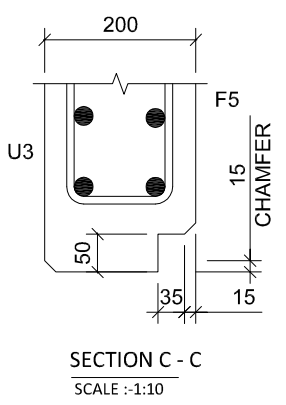
250x130x8mm CAST IN PLATE  
SCALE :-1:10



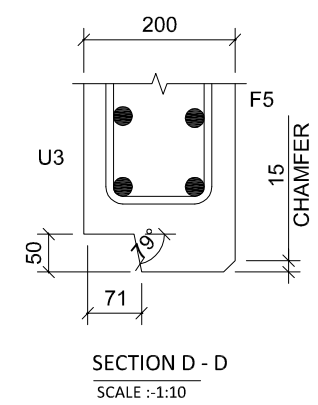
SECTION E - E  
SCALE :-1:10



DETAIL - 1  
SCALE :-1:10



SECTION C - C  
SCALE :-1:10



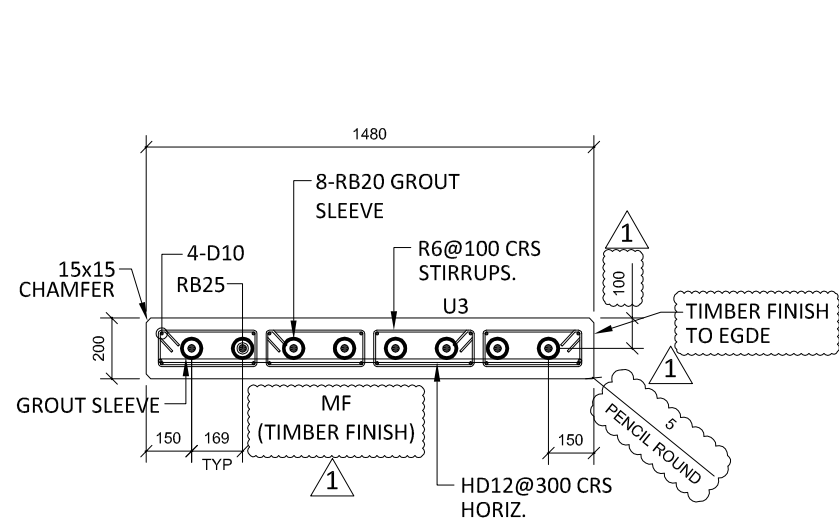
SECTION D - D  
SCALE :-1:10

INSPECTION & TEST PLAN		
INSPECTED BY		
NAME OF FABRICATOR		
UNIT NO.		
CAST DATE		
CAST TIME		
CONCRETE DOCKET NO.		
CONCRETE SPECIF. (MPa)		
ITEM	FABRICATOR INITIAL	APPROVED Y / N
MOULD CLEANLINESS		
RELEASE OIL		
DIMENSIONS		
FORMWORK FIXED		
OPENING / REBATES CORRECT & POSITION		
<b>HOLD POINT</b>		
REINFORCING CORRECT		
LAPS & SPLICES CORRECT		
SPACING & COVER CORRECT		
<b>HOLD POINT</b>		
LIFTERS POSITIONED CORRECTLY		
CAST - IN ITEMS		
STARTERS, LACING BARS		
<b>APPROVED FOR CASTING</b>		
POST POUR INSPECTION		
INSPECTED BY		
DATE		
ITEM	APPROVED Y / N	
SWIFTLIFTS POSITION		
SWIFTLIFTS RECESS CLEANED		
CAST-IN ITEMS CLEANED		
CONCRETE FINISH		
LABELLED (NUMBER / DATED)		
DAMAGE (CRACKS / CHIPPING)		
CLEANLINESS		
ANY ACTION REQUIRED:		
<b>APPROVED FOR DISPATCH</b>		
SLING ANGLE TO BE NOT LESS THAN 60° TO HORIZONTAL WHEN LIFTING		
40cvr TO ALL EDGES & FACES (UNO)		
CAST IN SUNDRY 21xRB25 GROUT SLEEVE.		
Area (m <sup>2</sup> )	9.35	
Vol (m <sup>3</sup> )	1.81	
Wt. (t)	4.19	
MPa	40MPa	
FINISH	F5/U3 FINISH	
NO: OFF	1	

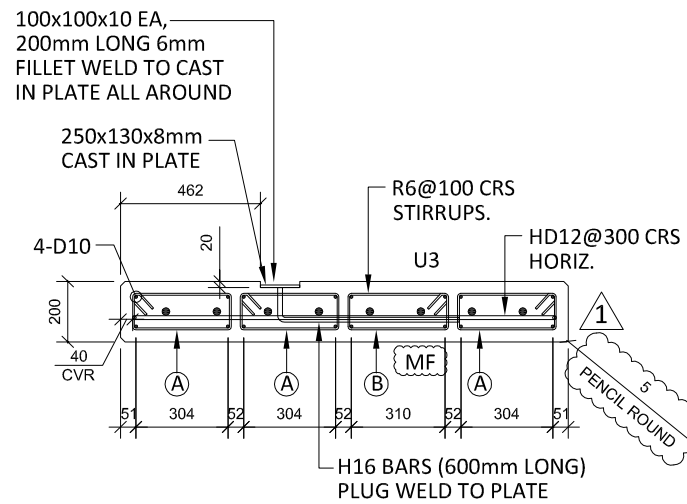
REV.	DATE	DESCRIPTION	DRAWN	APPROVED
1	23/04/18	UPDATED AS PER COMMENT	SS	
0	17/04/18	ISSUE FOR CONSTRUCTION	SS	

DRAWING TO BE READ IN CONJUNCTION WITH P-GM-200-02A-1

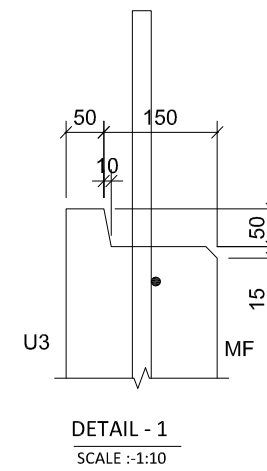
Contractor	Job	WESTERN SPRINGS COLLEGE REDEVELOPMENT 100 MOTIONS ROAD WESTERN SPRINGS	Title	GYMNASIUM P-GM-200-02A	COPYRIGHT RESERVED	Drawn	SS	Date	21/03/18	Job No.	<b>J669</b>
						Checked	SP	Scale (A3)	1:25, 1:10	P-GM-200-02A-2	1



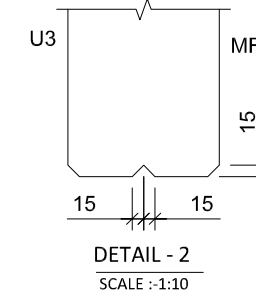
**SECTION A-A**  
SCALE :- 1:25



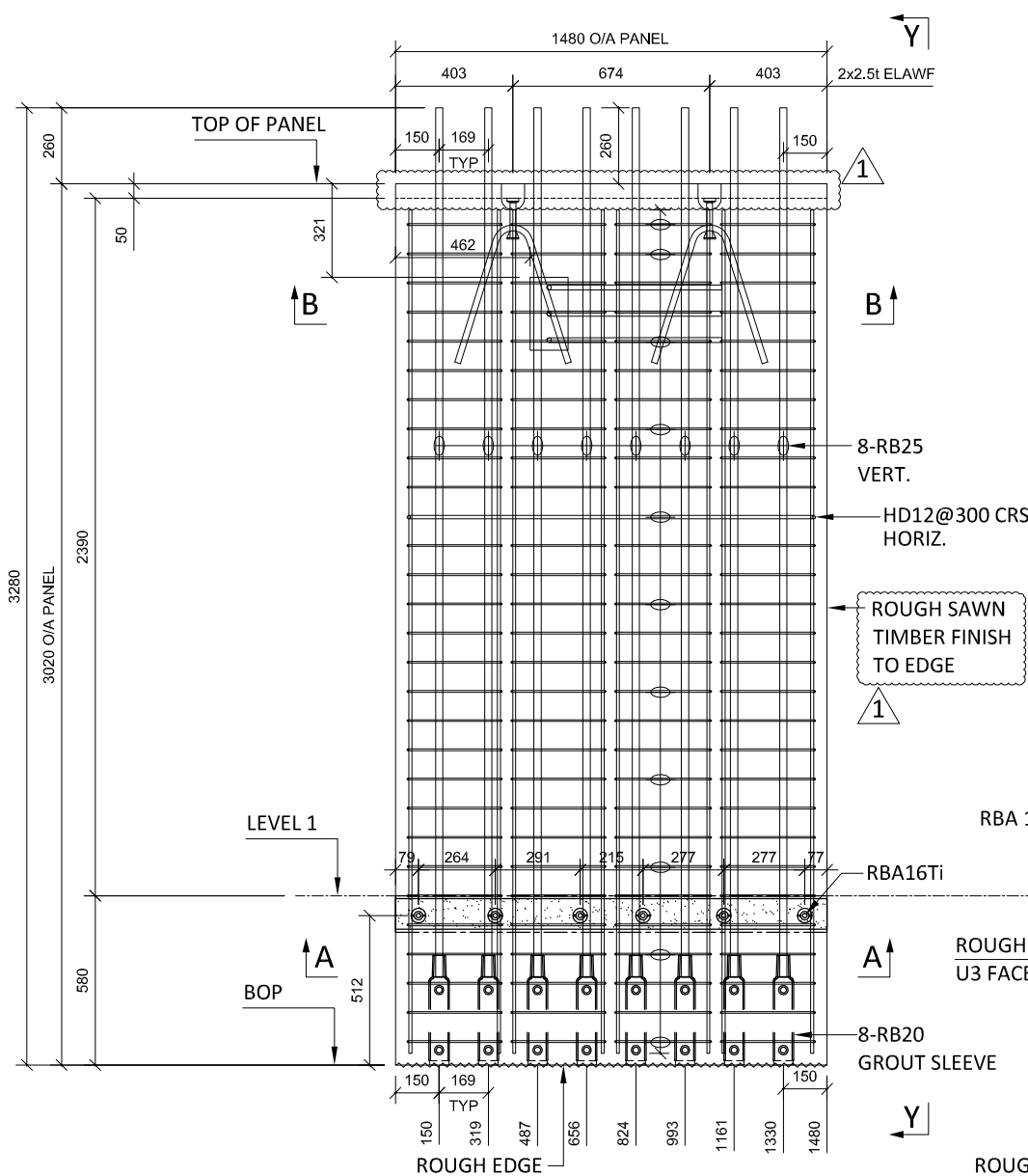
**SECTION B-B**  
SCALE :- 1:25



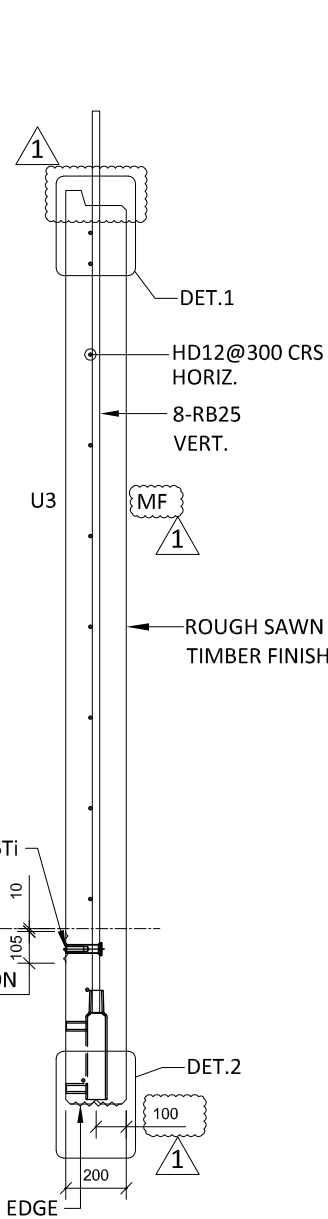
**DETAIL - 1**  
SCALE :-1:10



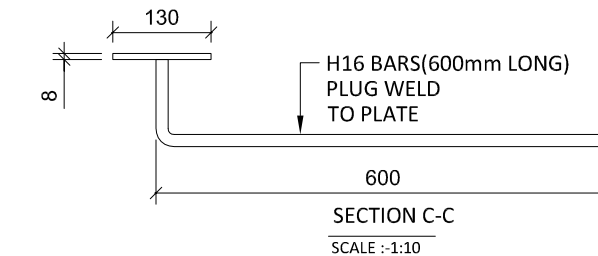
**DETAIL - 2**  
SCALE :-1:10



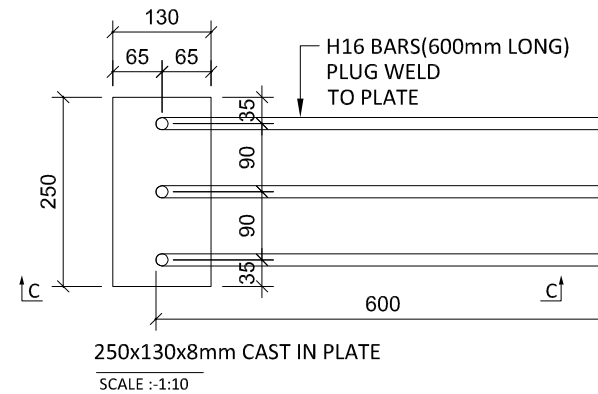
**P-GM-200-15 PLAN AS CAST - 200 THK**  
SCALE :- 1:25



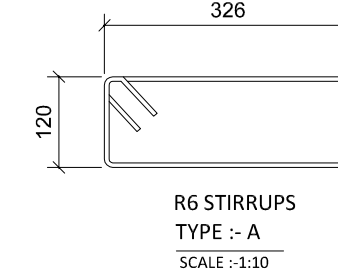
**SECTION Y-Y**  
SCALE :- 1:25



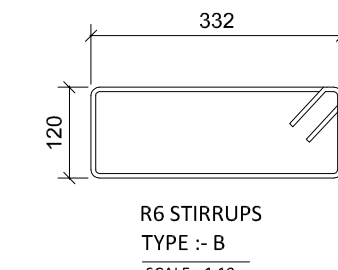
**SECTION C-C**  
SCALE :-1:10



**SECTION D-D**  
SCALE :-1:10

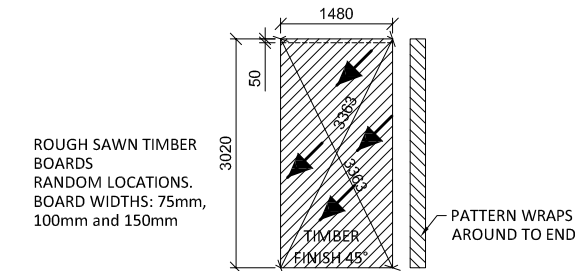


**R6 STIRRUPS  
TYPE :- A**  
SCALE :-1:10



**R6 STIRRUPS  
TYPE :- B**  
SCALE :-1:10

**ROUGH SAWN TIMBER INLAY  
VIEWED AS CAST**



ROUGH SAWN TIMBER  
BOARDS  
RANDOM LOCATIONS.  
BOARD WIDTHS: 75mm,  
100mm and 150mm

INSPECTION & TEST PLAN		
INSPECTED BY		
NAME OF FABRICATOR		
UNIT NO.		
CAST DATE		
CAST TIME		
CONCRETE DOCKET NO.		
CONCRETE SPECIF. (MPa)		
ITEM	FABRICATOR INITIAL	APPROVED Y / N
MOULD CLEANLINESS		
RELEASE OIL		
DIMENSIONS		
FORMWORK FIXED		
OPENING / REBATES CORRECT & POSITION		
<b>HOLD POINT</b>		
REINFORCING CORRECT		
LAPS & SPLICES CORRECT		
SPACING & COVER CORRECT		
<b>HOLD POINT</b>		
LIFTERS POSITIONED CORRECTLY		
CAST - IN ITEMS		
STARTERS, LACING BARS		
<b>APPROVED FOR CASTING</b>		
POST POUR INSPECTION		
INSPECTED BY		
DATE		
ITEM	APPROVED Y / N	
SWIFTLIFTS POSITION		
SWIFTLIFTS RECESS CLEANED		
CAST-IN ITEMS CLEANED		
CONCRETE FINISH		
LABELLED (NUMBER / DATED)		
DAMAGE (CRACKS / CHIPPING)		
CLEANLINESS		
ANY ACTION REQUIRED:	ROUGH SAWN TIMBER FINISH	
<b>APPROVED FOR DISPATCH</b>		
SLING ANGLE TO BE NOT LESS THAN 60° TO HORIZONTAL WHEN LIFTING		
40cvr TO ALL EDGES & FACES (UNO)		
<b>CAST IN SUNDRY</b> 8xRB20 GROUT SLEEVE.		
Area (m <sup>2</sup> )	4.40	
Vol (m <sup>3</sup> )	0.88	
Wt. (t)	2.20	
MPa	40MPa	
FINISH	MF (TIMBER FINISH 45°) /U3 FINISH	
NO: OFF	1	

REV.	DATE	DESCRIPTION	DRAWN	APPROVED
1	23/04/18	UPDATED AS PER COMMENT	NS	
0	17/04/18	ISSUE FOR CONSTRUCTION	SS	

**ROUGH SAWN TIMBER FINISH**

Contractor	Job	Title	Drawn	SS	Date	21/03/18	Job No.	<b>J669</b>
WESTERN SPRINGS COLLEGE REDEVELOPMENT 100 MOTIONS ROAD WESTERN SPRINGS	GYMNASIUM P-GM-200-15	Checked	SP	Scale (A3)	1:10 1:25	P-GM-200-15	1	REV.

COPYRIGHT RESERVED

**THANK YOU**